

# 5050IB

Top SMD LED type



## Application

- ※ Cove lighting
- ※ Architectural lights for canopy, corridor, window, archway
- ※ Backlight or edge lighting for signage
- ※ DIY lights for home use
- ※ Path and contour marking
- ※ Decorative lights for holiday, event, show, exhibition

## Great advantages

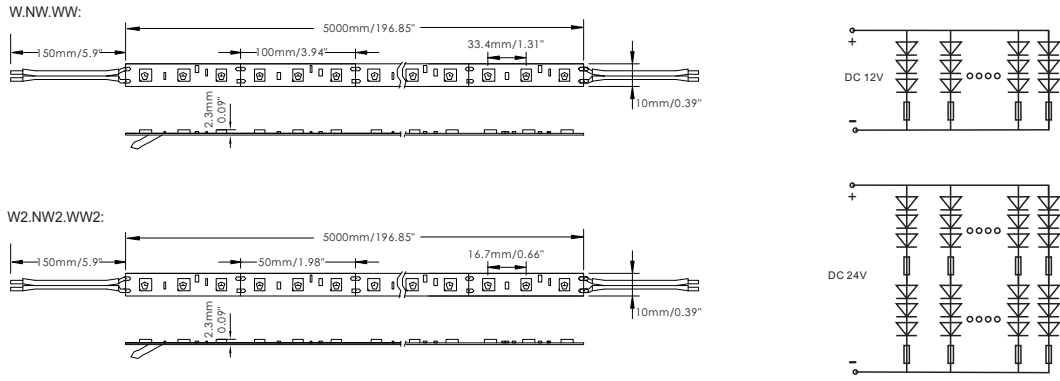
- ※ eco friendly
- ※ long life span, standard warranty 3 years
- ※ complete cut / connection accessories
- ※ no need of constant-current power feed
- ※ low power consumption
- ※ custom packing



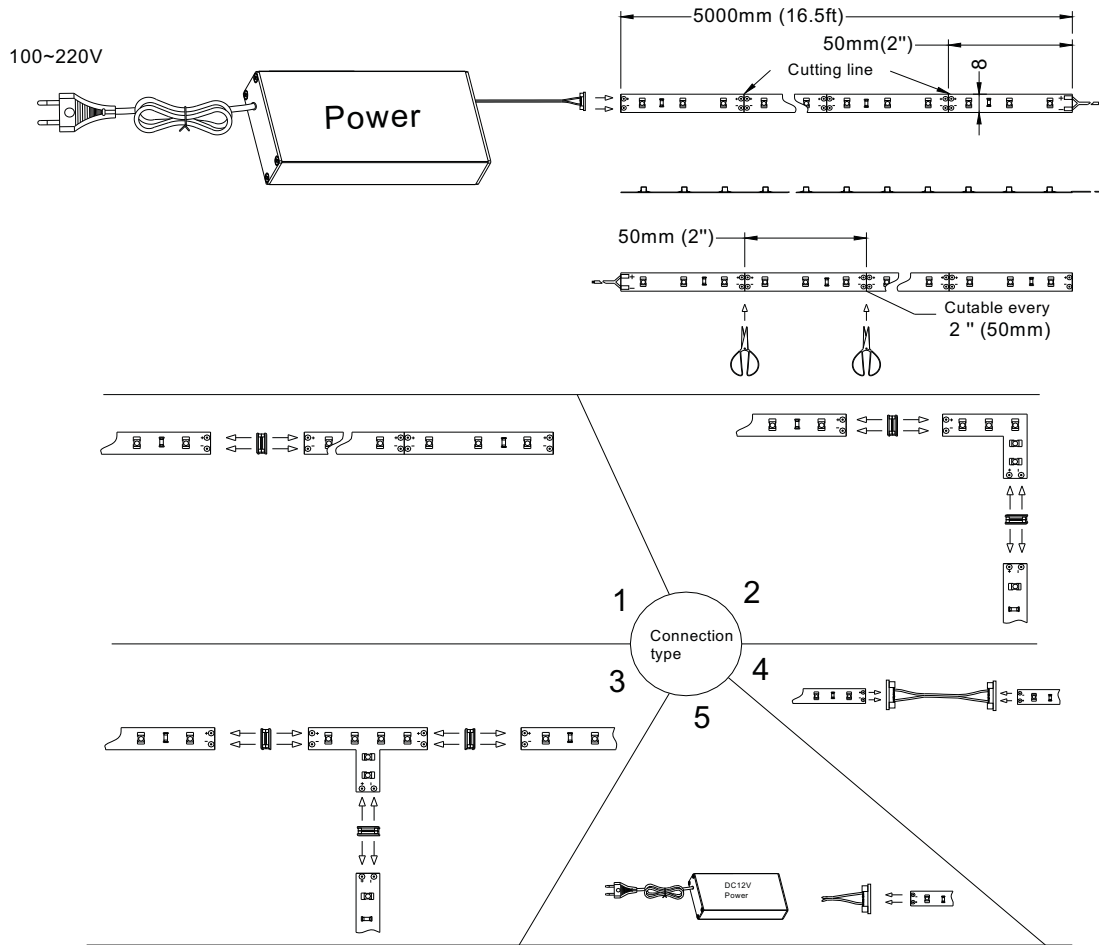
## Technical parameters

Model Number	Color	Length (m)	LED Qty	LED Type	Light Output (lumen/m)	Beam Angle (degrees)	Voltage (V DC)	Current (Amps/m)	Max. Power Consumption (W/m)	IP	Continuous Connection (m)
SC-5050IB-W	White	5	150	5050 Epistar	490	120	12	0.51~0.60	7.2	20	10
SC-5050IB-NW	Nature White	5	150		470	120	12	0.51~0.60	7.2	20	10
SC-5050IB-WW	Warm White	5	150		390	120	12	0.51~0.60	7.2	20	10
SC-5050IB-W2	White	5	300		980	120	12	1.02~1.20	14.4	20	10
SC-5050IB-NW2	Nature White	5	300		940	120	12	1.02~1.20	14.4	20	10
SC-5050IB-WW2	Warm White	5	300		780	120	12	1.02~1.20	14.4	20	10
SC-5050IB-W-24V	White	5	150	5050 Epistar	490	120	24	0.25~0.30	7.2	20	10
SC-5050IB-NW-24V	Nature White	5	150		470	120	24	0.25~0.30	7.2	20	10
SC-5050IB-WW-24V	Warm White	5	150		390	120	24	0.25~0.30	7.2	20	10
SC-5050IB-W2-24V	White	5	300		980	120	24	0.51~0.60	14.4	20	10
SC-5050IB-NW2-24V	Nature White	5	300		940	120	24	0.51~0.60	14.4	20	10
SC-5050IB-WW2-24V	Warm White	5	300		780	120	24	0.51~0.60	14.4	20	10

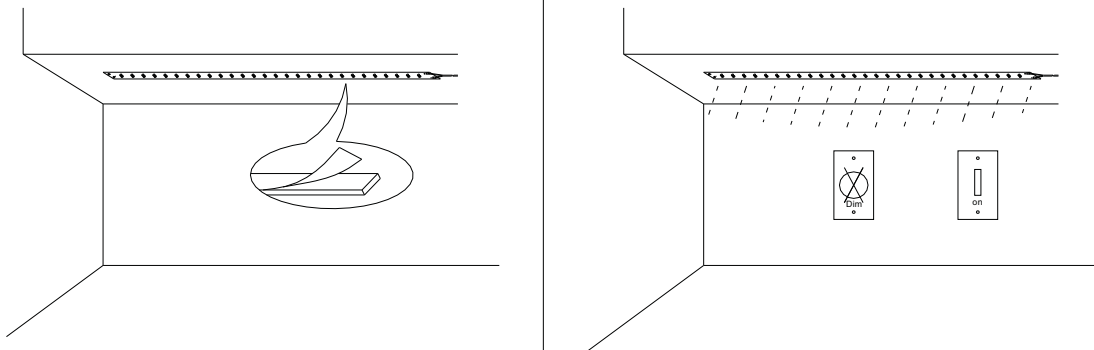
**Dimension&Circuit drawings**Unit:mm(inch)



**Linking operation**



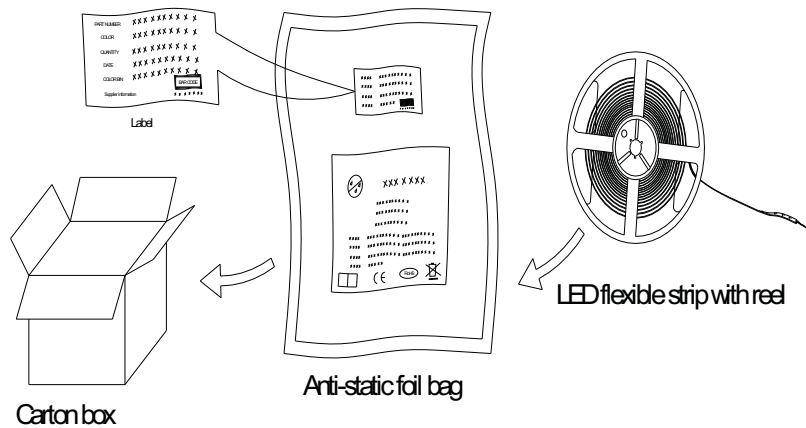
**installation**



## Safety Information

- The strip itself and all its components may not be mechanically stressed.
- Assembly must not damage or destroy conducting paths on the circuit board.
- Installation of LED ribbon (with power supplies) needs to be made with regard to all applicable electrical and safety standards. Only qualified personnel should be allowed to perform installations.
- Correct electrical polarity needs to be observed. Wrong polarity may destroy the strip.
- Parallel connection is highly recommended as safe electrical operation mode.
- Serial connection is not recommended. Unbalanced voltage drop can cause hazardous overload and damage the strip.
- Please ensure that the power supply is of adapters power to operate the total load.
- When mounting on metallic or otherwise conductive surfaces, there needs to be an electrical isolation points between strip and the mounting surface.
- Pay attention to standard ESD precautions when installing the strip.
- Damaged by corrosion will not be honored as a materials defect claim. It is the user's responsibility to provide suitable protection against corrosive agents such as moisture and condensation and other harmful elements.

## ※ Packing information



## ※ Connectors

