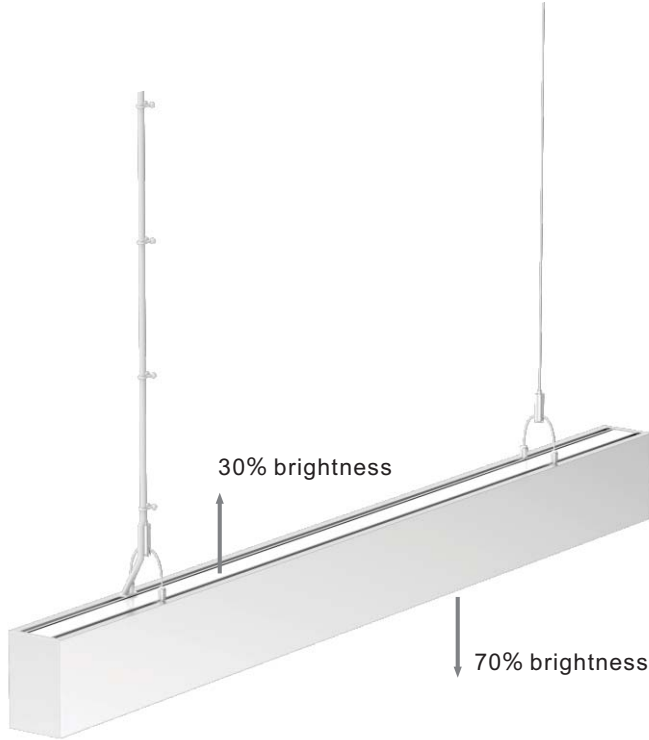




LED Linear Light

SL11070 in single run (0-10V Dimming)



Description

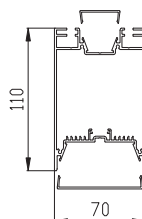
SL11070 series, with excellent 6063 extrusion aluminum, reliable LEDs and PC diffuser, it has high light efficiency and uniform light distribution. It provides up-and down lighting and allows 2 ways of installation: wall mounted and suspendant. It can be widely used as wall lighting for decoration and also main lighting for office, shops, hospital, school and so on.

Features

1. Simple and modern design, screwless at end cap.



2. Extrusion aluminum lamp body and PC cover.



3. Smooth and soft lighting effect, no dark dot and shadow at the lighting area.





4. Various installation: Suspendent, side installation on wall surface.



Suspendent installation



Side installation on wall surface

5. Three colors of lamp body, white, black and silver.



White



grey



black

Specifications

Model	CCT	LED Type	Lumen(lm) (±10%)	Power(W) (±10%)	Length (mm)	Voltage (V)
SC-SL11070-050-AW-A02-01W	5000K	2835	4645 lm	50W	1200	AC 100-277V 50/60Hz
SC-SL11070-050-AW-A02-01NW	4000K		4400 lm	50W	1200	
SC-SL11070-050-AW-A02-01WW	3000K		4250lm	50W	1200	
SC-SL11070-075-AW-A02-01W	5000K	2835	6975 lm	75W	2400	AC 100-277V 50/60Hz
SC-SL11070-075-AW-A02-01NW	4000K		6594 lm	75W	2400	
SC-SL11070-075-AW-A02-01WW	3000K		6300lm	75W	2400	
Beam angle	PF	CRI	IP	Life span	Reflector	
110°	> 0.95	≥80	IP40	50000hrs	Milky cover	

Remark: 3500K and 4500K is provided for optional

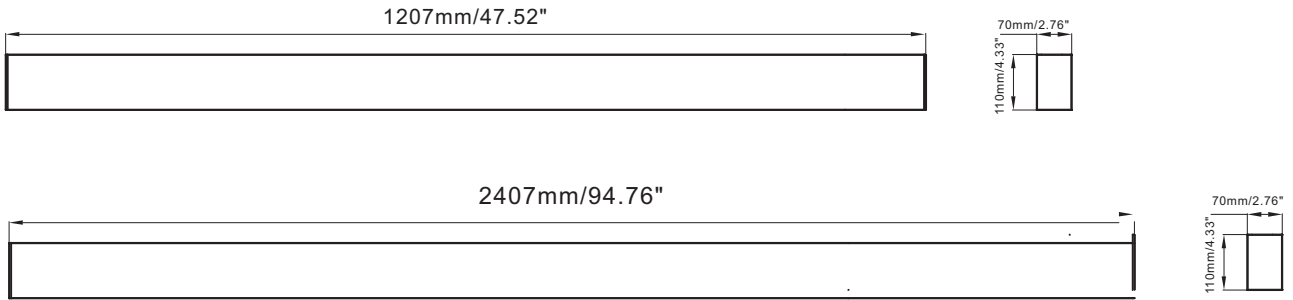
Applications

Suitable for hotels, conference rooms, factories, offices, commercial purposes, institution buildings, schools, colleges, universities, hospitals and other places which needs energy saving and high color rendering index lighting.

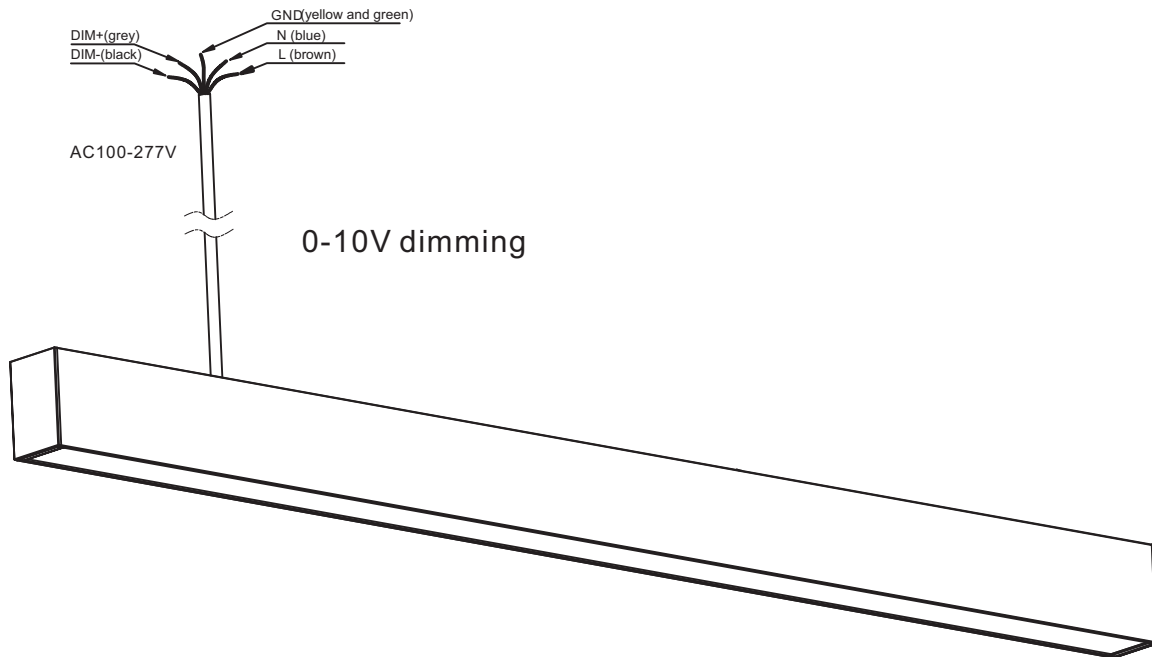




Dimensions (Unit: mm/inch)



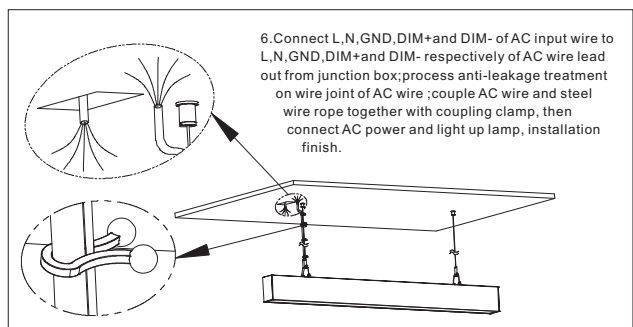
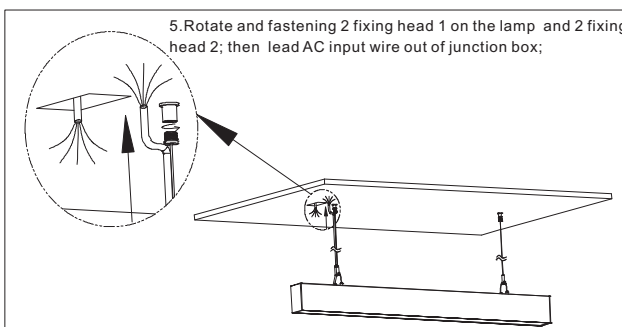
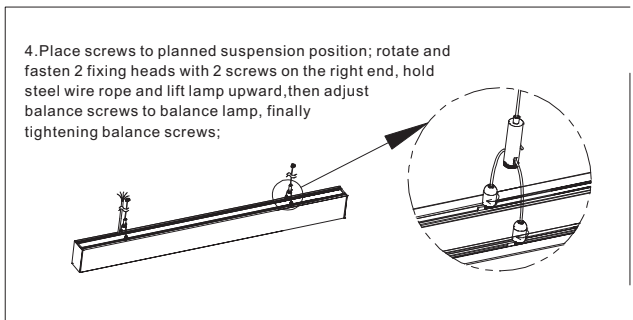
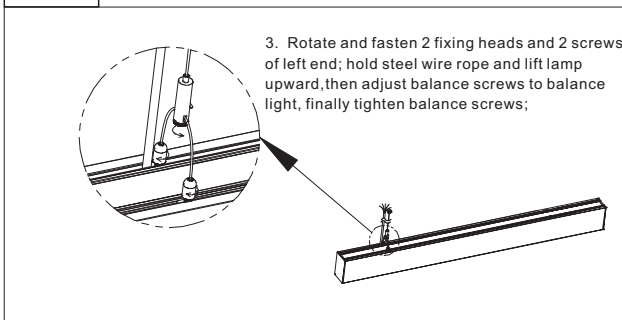
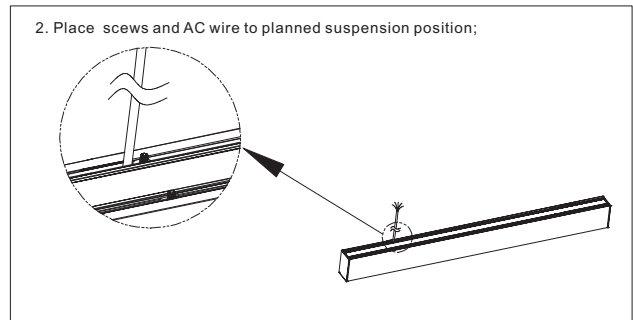
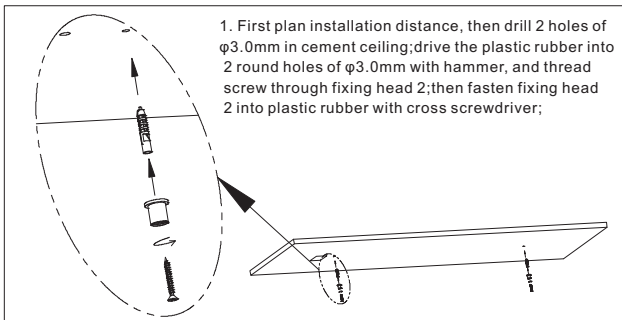
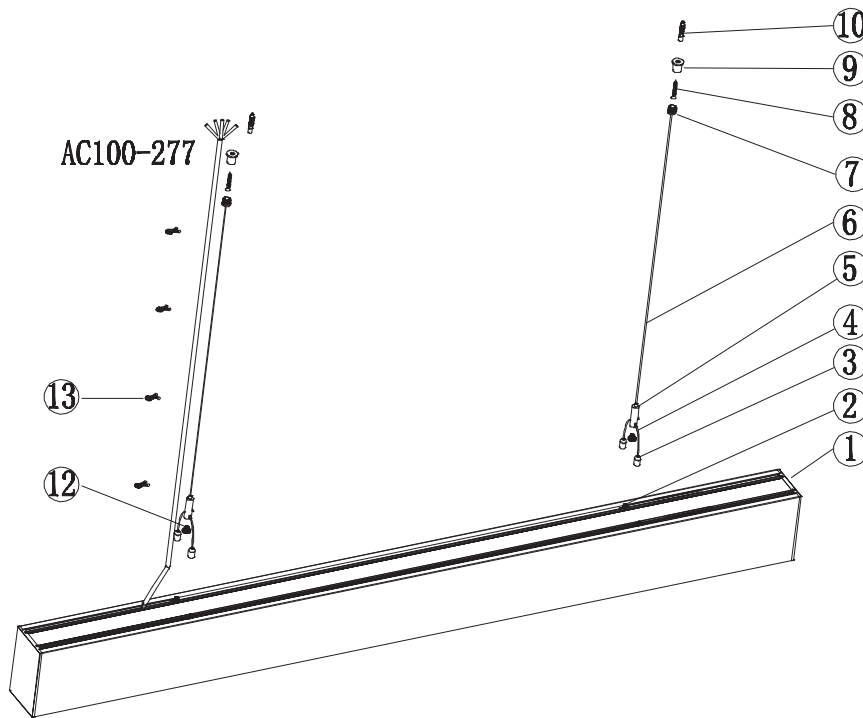
Electrical Connection



Suspension Installation of 11070 UL Linear Light

BOM

1. 11070 lamp	1pcs	2. Screw	4pcs
3. fastening head	4pcs	4. steel wire rope	2pcs
5. locking wire buckle	2pcs	6. suspension cord	2pcs
7. fastening head1	2pcs	8. 4X30PA screw	2pcs
9. fastening head2	2pcs	10. rubber plug	3pcs
11. balance adjustment screw	2pcs	12. doubling clip	4pcs



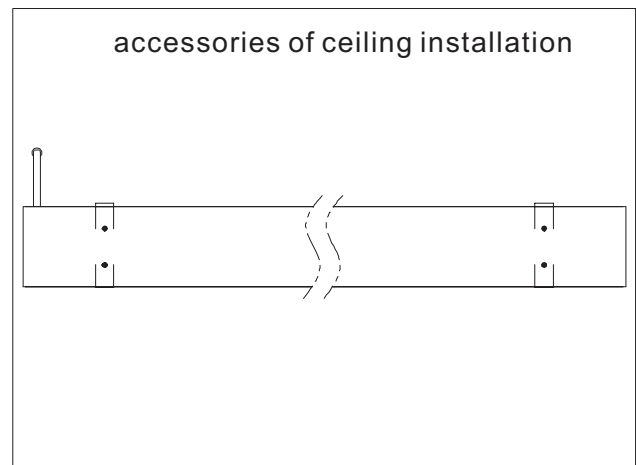
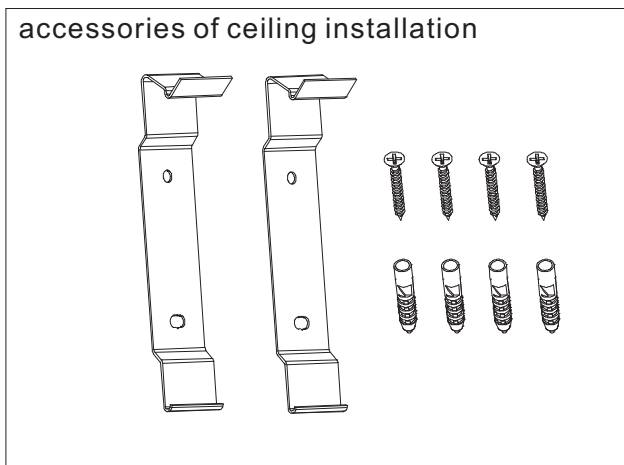
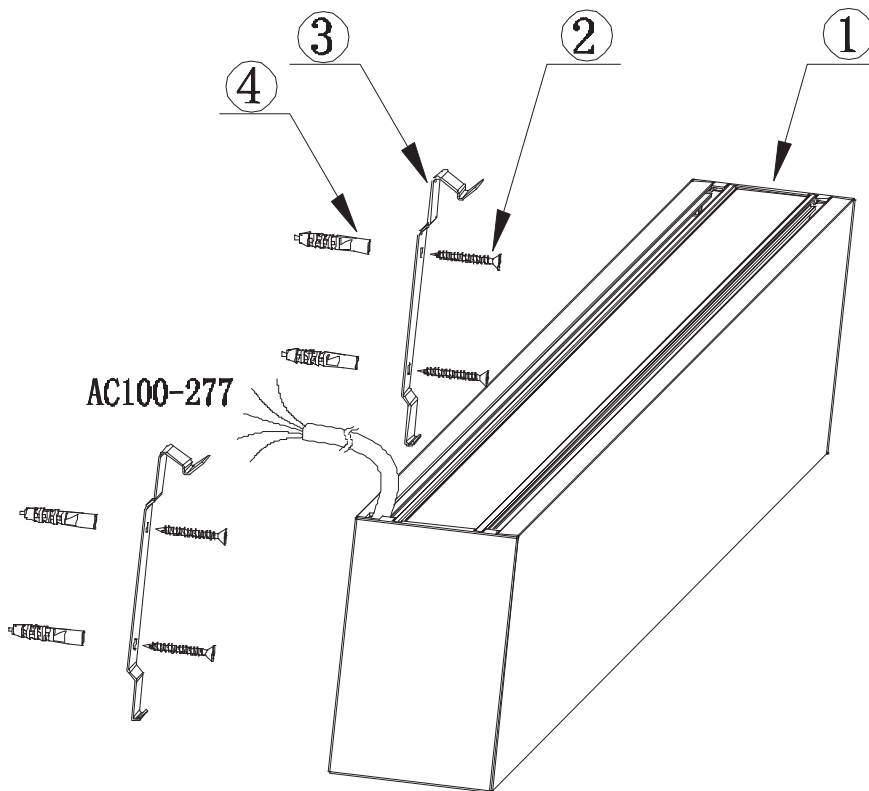


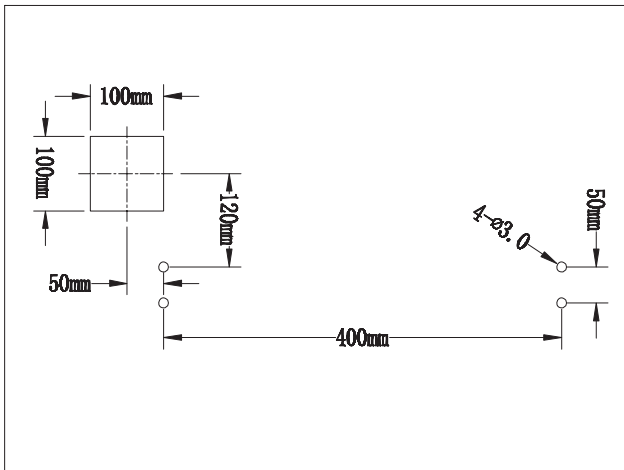
Side Wall Installation of 11070 UL Linear Light

exploded drawing of suspension installation

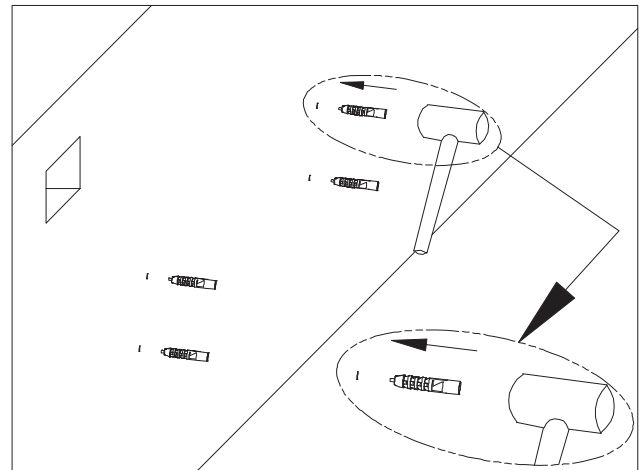
BOM of lamp

1. 11070 lamp	1pcs	2. screw	4pcs
3. 11070 clamp	2pcs	4. rubber plug	4pcs

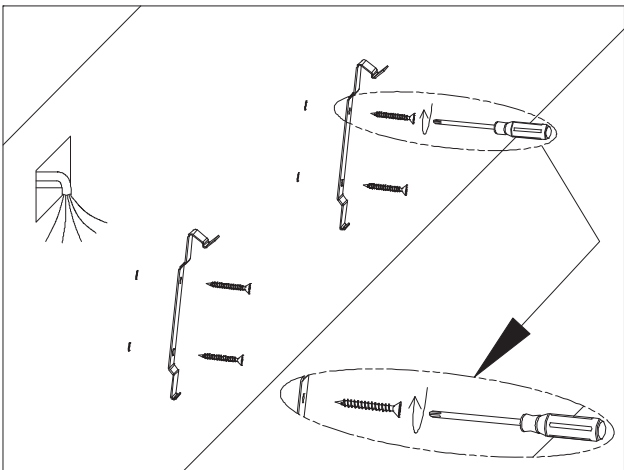




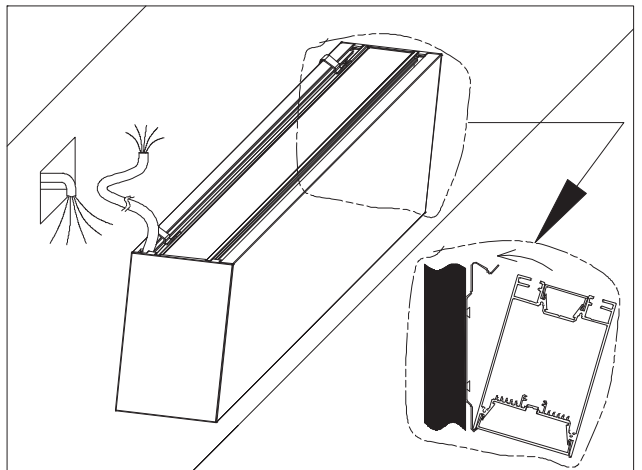
1. Drill 4 holes of $\phi 3.0\text{mm}$ and 1 hole for junction box;



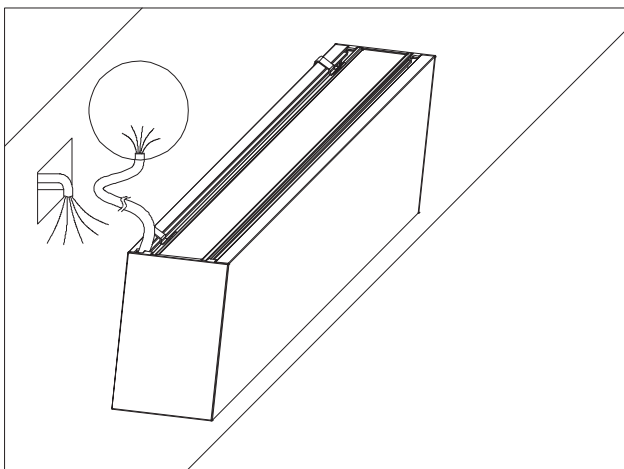
2. Drive the plastic rubber into 4 holes of $\phi 3.0\text{mm}$ with hammer, and thread screw through fixed head 2, then fasten fixed head 2 into plastic rubber with cross screw driver and insert junction box into wall;



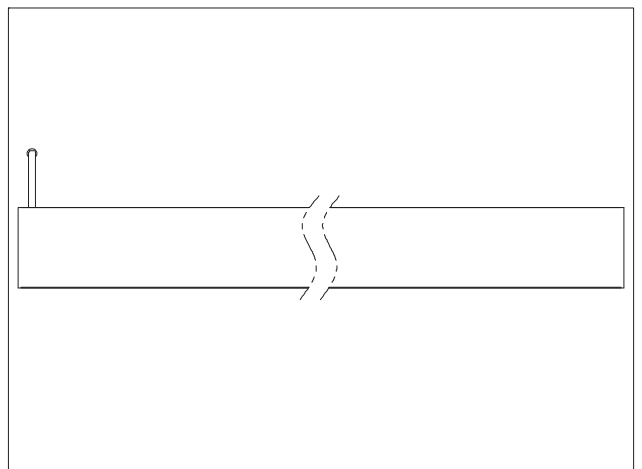
3. Thread screw through clamp, and fasten the clamp into plastic rubber with cross screw driver, and draw out AC input wire from junction box in wall;



4. According above detailed drawing, install lamp on one side of clamp, and rotate lamp to other side of clamp;



5. Connect L, N, GND, DIM+ and DIM- of AC input wire to L, N, GND, DIM+ and DIM- respectively of AC wire lead out from wall;



6. Process anti-leakage treatment on AC wire joint and put it into junction box, and cover junction box; smear paste on drill holes; light up lamp, and finish installation.



Product packaging information:

4 feet(50W)	8 feet(75W)
<ul style="list-style-type: none">● Net weight/PC: 3.725kg● Gross weight/CTN:27.153kg● Inner size: 1274X150X131mm● Carton size: 1288X465X280mm● 1pcs/inner box,6 inner boxes/carton	<ul style="list-style-type: none">● Net weight/PC: 6.841kg● Gross weight/CTN: 35.364kg● Inner size: 2448X150X135mm● Carton size: 2462X315X288mm● 1pcs/inner box,4 inner boxes/carton

Notice

- 1.Please read the specification first, to make sure the service environment matches the condition in the specification before using.
- 2.Please confirm the applicable power supply before using.
- 3.Make sure the switch of product is off before connect to the power supply to prevent electric shock.
- 4.Operation against rules may damage your property even harm to your personal safety.
- 5.Preliminarily estimate required quantity of LED linear lights, then according to the power rating of single linear light to figure out the total power and design power supply plan.
- 6.Dangerous high voltage, Non-professionals are not allowed to maintain the products.
- 7.If the exterior flexible cable or wire is damaged, it must exchange by the supplier, its agent or other similar qualified personnels to avoid dangers.