



# FOTACH LED Corn Lamp IP65



27W

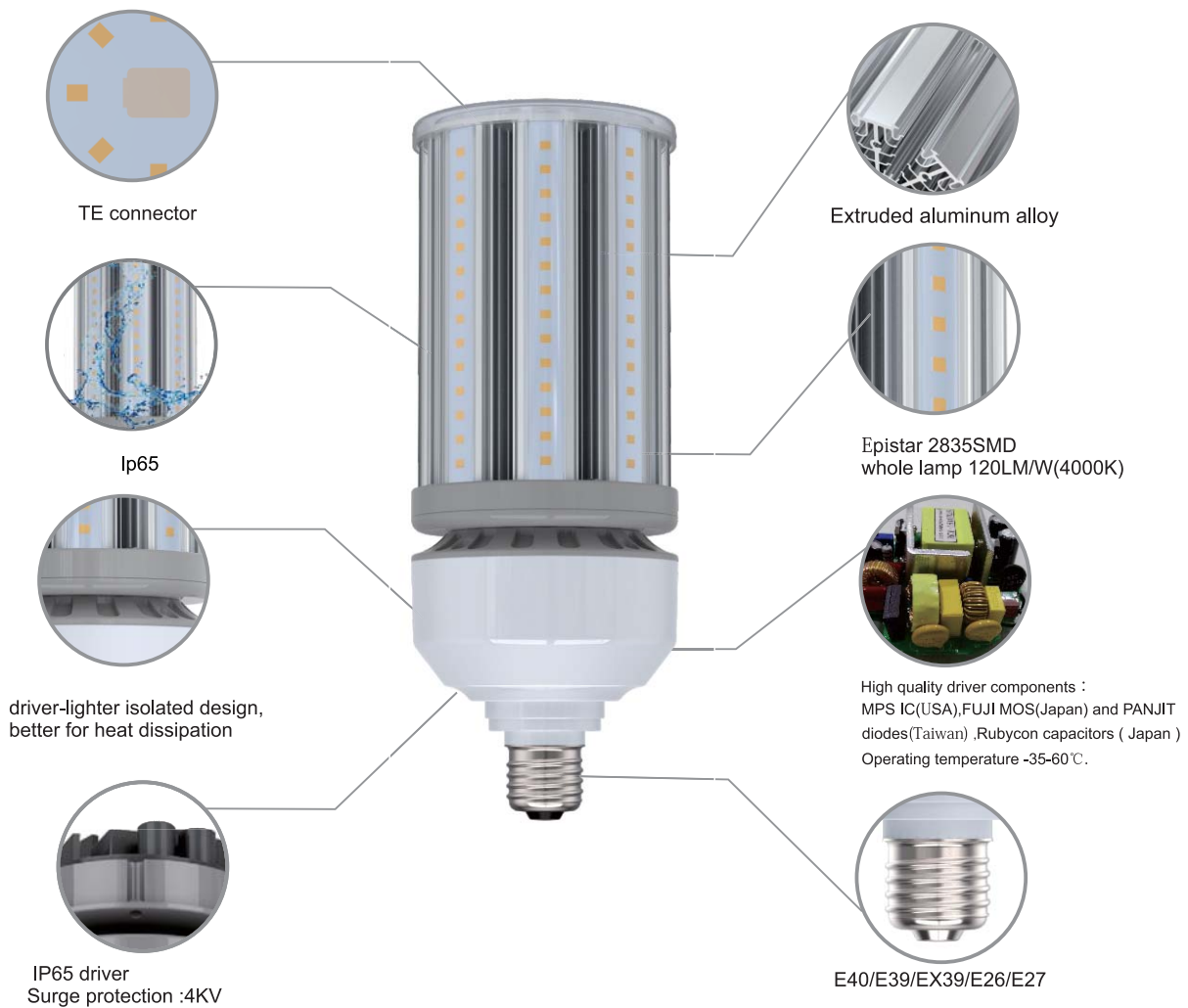
36W

45W

54W



## Features

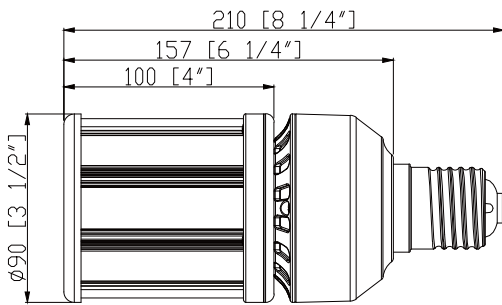




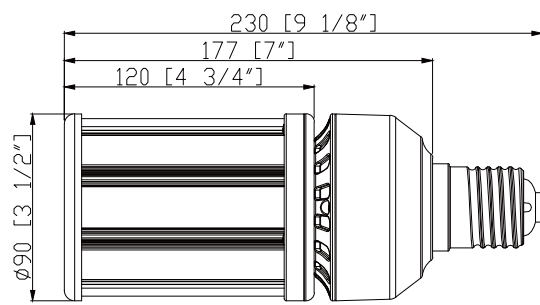
## Specifications

Model	Color	CCT	Lumen (lm) (±10%)	Power(w) (±10%)	Base	Voltage
QR39-027-AW-W	White	5000K	3260	27	E39/EX39/E40/E26/E27	100-277V AC
QR39-027-AW-NW	Neutral white	4000K	3110	27	E39/EX39/E40/E26/E27	100-277V AC
QR39-027-AW-WW	Warm white	3000K	2860	27	E39/EX39/E40/E26/E27	100-277V AC
QR39-036-AW-W	White	5000K	4450	36	E39/EX39/E40/E26/E27	100-277V AC
QR39-036-AW-NW	Neutral white	4000K	4240	36	E39/EX39/E40/E26/E27	100-277V AC
QR39-036-AW-WW	Warm white	3000K	3900	36	E39/EX39/E40/E26/E27	100-277V AC
QR39-045-AW-W	White	5000K	5600	45	E39/EX39/E40/E26/E27	100-277V AC
QR39-045-AW-NW	Neutral white	4000K	5340	45	E39/EX39/E40/E26/E27	100-277V AC
QR39-045-AW-WW	Warm white	3000K	4910	45	E39/EX39/E40/E26/E27	100-277V AC
QR39-054-AW-W	White	5000K	6550	54	E39/EX39/E40/E26/E27	100-277V AC
QR39-054-AW-NW	Neutral white	4000K	6240	54	E39/EX39/E40/E26/E27	100-277V AC
QR39-054-AW-WW	Warm white	3000K	5740	54	E39/EX39/E40E26/E27	100-277V AC

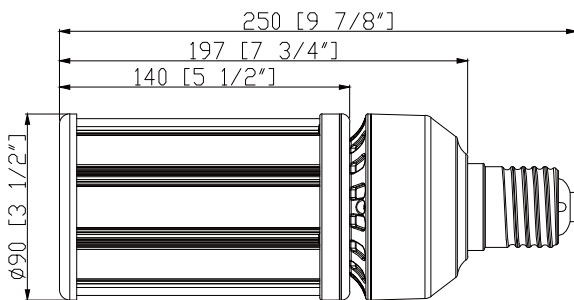
## Dimensions (Unit: mm)



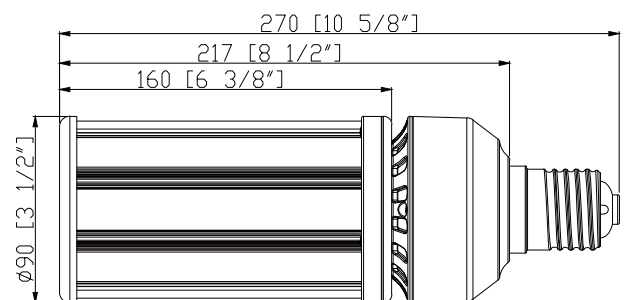
QR39-027-AW



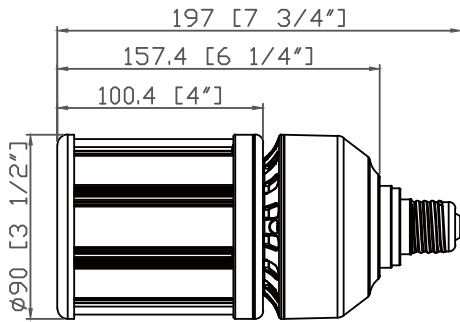
QR39-036-AW



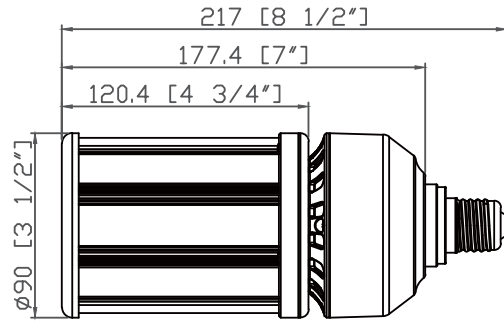
QR39-045-AW



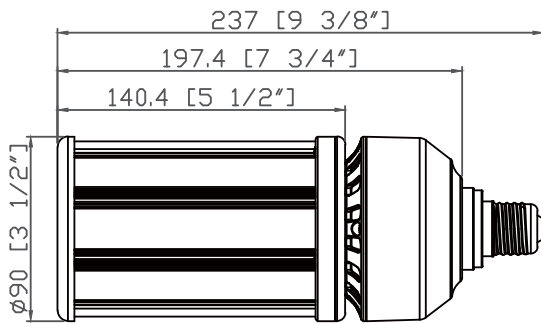
QR39-054-AW



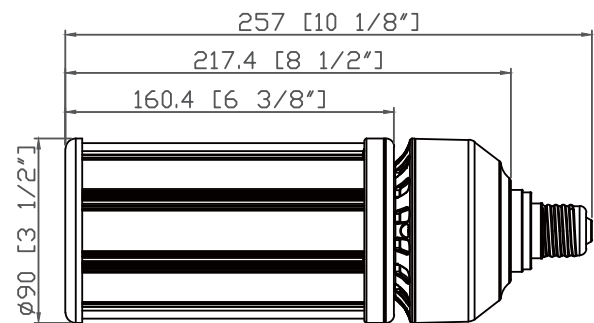
QR26-027-AW



QR26-036-AW

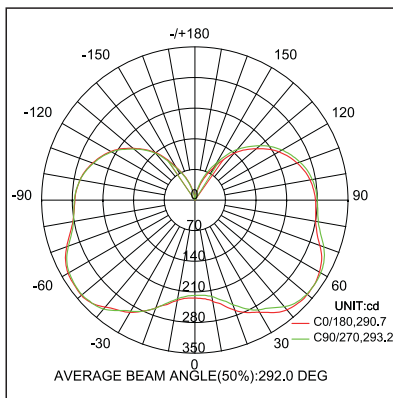


QR26-045-AW

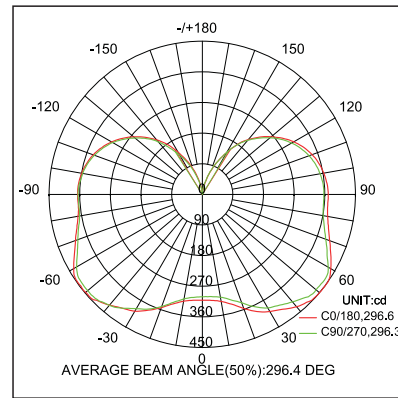


QR26-054-AW

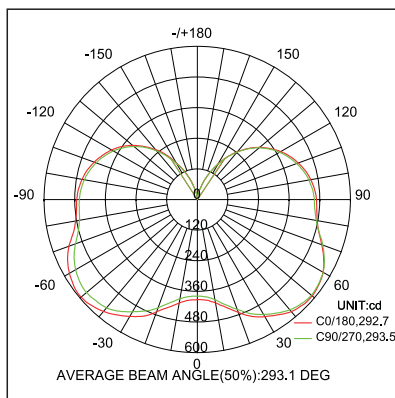
Luminous Intensity Distribution Diagram



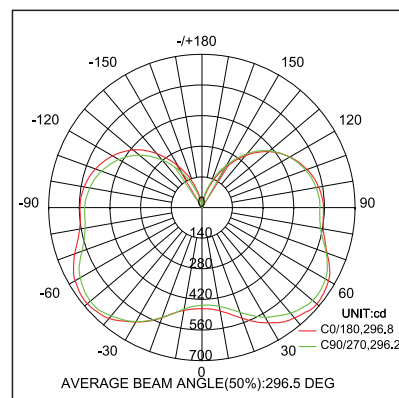
QR39-027-AW-NW



QR39-036-AW-NW



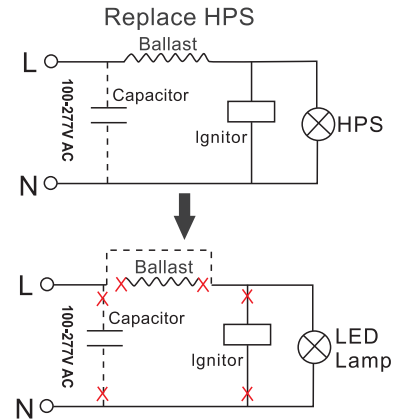
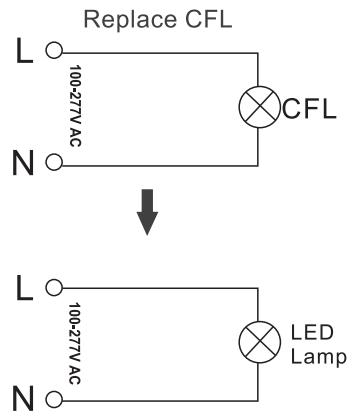
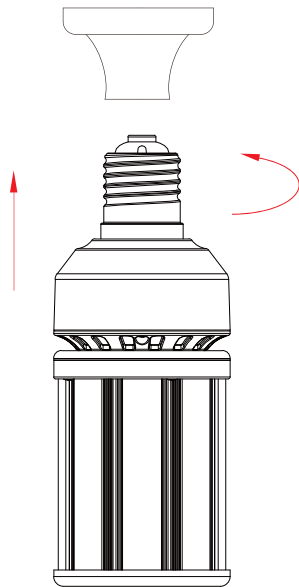
QR39-045-AW-NW



QR39-054-AW-NW



## Installation



## Main Applications



Widely use in slow lane, narrow lane, residential area, scenic spot, park, square and other public places for indoor or outdoor lighting and replace traditional sodium lamp



## Packing information

specifications	Packing qty.	Inner box dimension	carton dimension	Net weight	Unit gross weight	Gross weight
27W	18PCS	115*115*225mm	375*375*470mm	0.90KG	1.00KG	19,5KG
36W	18PCS	115*115*255mm	375*375*530mm	0.95KG	1.06KG	20.5KG
45W	18PCS	115*115*268mm	375*375*555mm	1.0KG	1,12KG	21,5KG
54W	18PCS	115*115*285mm	375*375*590mm	1.1KG	1,22KG	24.0KG

The above dimensions refer to outer dimensions.

### Notice

1. Please read the specification first, to make sure the service environment matches the condition in the specification before using.
2. Please confirm the applicable power supply before using.
3. Make sure the switch of product is off before connect to the power supply to prevent electric shock.
4. Operation against rules may damage your property even harm to your personal safety.
5. Dangerous high voltage, Non-professionals are not allowed to maintain the products.
6. THIS DEVICE IS NOT INTENDED FOR USE WITH EMERGENCY EXITS.