



LED Corn Lamp IP64



80W

100W

120W

140W



light and safe



Enclosed



LM 80



UL LISTED



CE

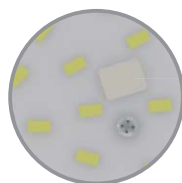


RoHS COMPLIANT



Warranty 5 years

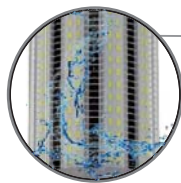
Features



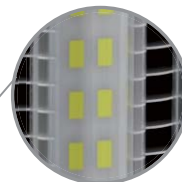
TE connector



Built-in Sunon fan



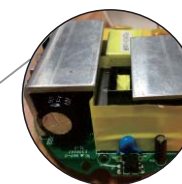
IP64



LG 5630 SMD whole lamp 135LM/W



driver-lighter isolated design, better for heat dissipation



High quality driver components: SHINDENGEN IC, MOS and diodes (Japan) Rubycon capacitors (Japan) Operating temperature -35-60°C.



No flickering IP65 driver Surge protection :4KV



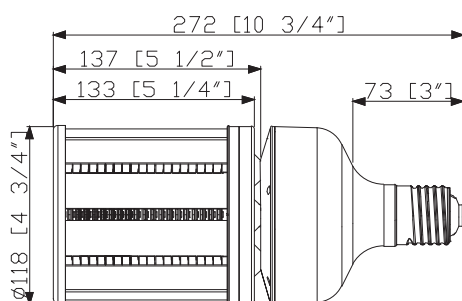
E40/E39/EX39



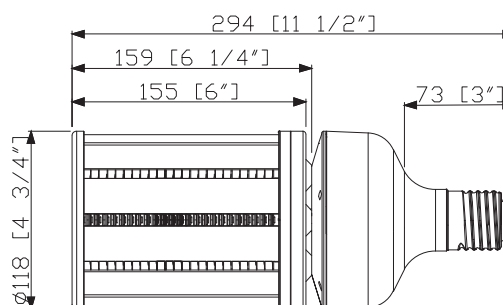
Specifications

| Model | Color | CCT | Lumen (lm) (±10%) | Power(w) (±10%) | Base | Voltage |
|----------------|---------------|-------|----------------------|--------------------|--------------|-------------|
| QR39-080-AW-W | White | 5000K | 11080 | 80 | E39/EX39/E40 | 100-277V AC |
| QR39-080-AW-NW | Neutral white | 4000K | 10550 | 80 | E39/EX39/E40 | 100-277V AC |
| QR39-080-AW-WW | Warm white | 3000K | 9820 | 80 | E39/EX39/E40 | 100-277V AC |
| QR39-100-AW-W | White | 5000K | 14030 | 100 | E39/EX39/E40 | 100-277V AC |
| QR39-100-AW-NW | Neutral white | 4000K | 13360 | 100 | E39/EX39/E40 | 100-277V AC |
| QR39-100-AW-WW | Warm white | 3000K | 12420 | 100 | E39/EX39/E40 | 100-277V AC |
| QR39-120-AW-W | White | 5000K | 16720 | 120 | E39/EX39/E40 | 100-277V AC |
| QR39-120-AW-NW | Neutral white | 4000K | 15920 | 120 | E39/EX39/E40 | 100-277V AC |
| QR39-120-AW-WW | Warm white | 3000K | 14810 | 120 | E39/EX39/E40 | 100-277V AC |
| QR39-140-AW-W | White | 5000K | 19460 | 140 | E39/EX39/E40 | 100-277V AC |
| QR39-140-AW-NW | Neutral white | 4000K | 18540 | 140 | E39/EX39/E40 | 100-277V AC |
| QR39-140-AW-WW | Warm white | 3000K | 17240 | 140 | E39/EX39/E40 | 100-277V AC |

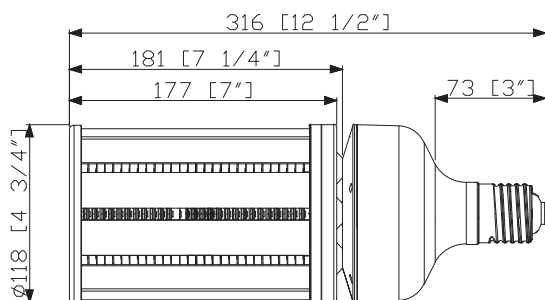
Dimensions (Unit: mm)



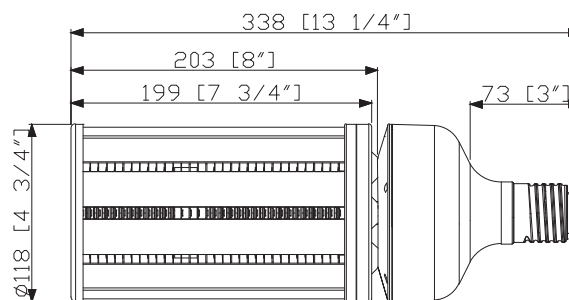
QR39-080-AW



QR39-100-AW



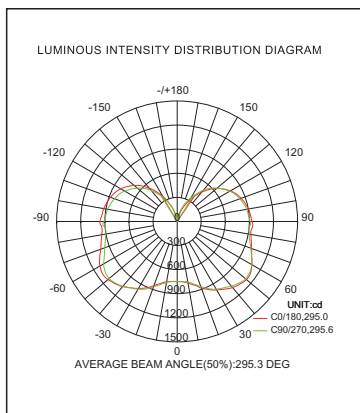
QR39-120-AW



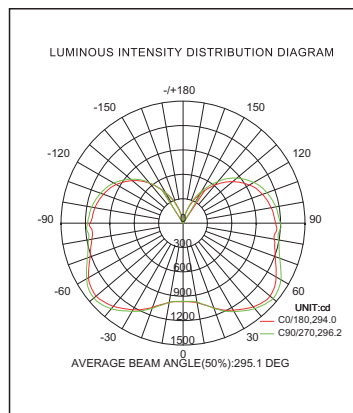
QR39-140-AW



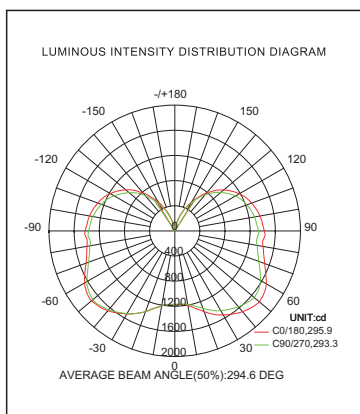
Luminous Intensity Distribution Diagram



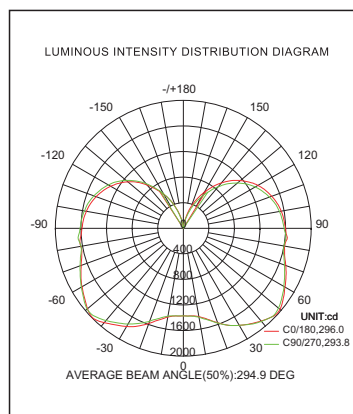
QR39-080-AW-NW



QR39-100-AW-NW

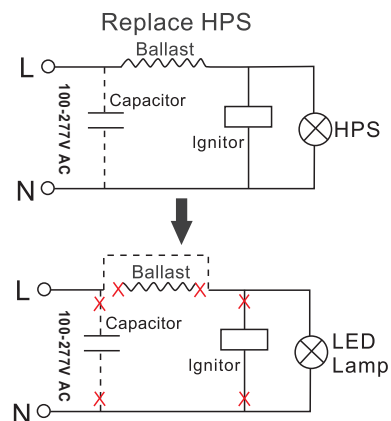
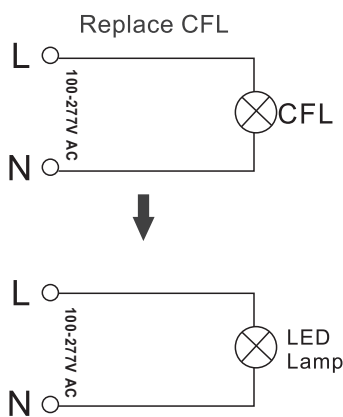
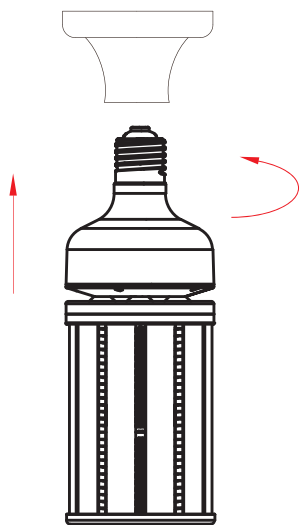


QR39-120-AW-NW



QR39-140-AW-NW

Installation



Main Applications



Widely use in slow lane, narrow lane, residential area, scenic spot, park, square and other public places for indoor or outdoor lighting and replace traditional sodium lamp and energy-saving lamp.

Packing information

| specifications | Packing qty. | Inner box dimension | carton dimension | Net weight | Gross weight |
|----------------|--------------|---------------------|------------------|------------|--------------|
| 80W | 12PCS | 150*150*300mm | 620*470*330mm | 1.3KG | 18KG |
| 100W | 12PCS | 150*150*320mm | 620*470*350mm | 1.4KG | 19KG |
| 120W | 12PCS | 150*150*340mm | 620*470*370mm | 1.5KG | 20KG |
| 140W | 12PCS | 150*150*360mm | 620*470*390mm | 1.6KG | 21KG |

! Notice

1. Please read the specification first, to make sure the service environment matches the condition in the specification before using.
2. Please confirm the applicable power supply before using.
3. Make sure the switch of product is off before connect to the power supply to prevent electric shock.
4. Operation against rules may damage your property even harm to your personal safety.
5. Dangerous high voltage, Non-professionals are not allowed to maintain the products.