



CibayII-P High Bay Light UL Type

Feature :

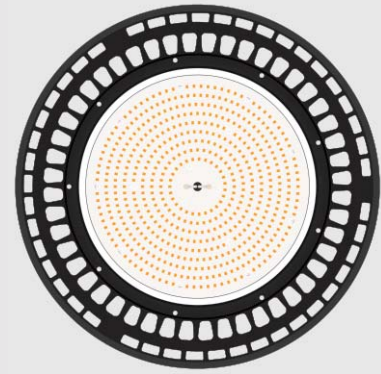
- 1.The light is designed without lampshade, simple lampbody and it is suitable for commercial and industrial lighting for its simple shape;
- 2.Adopt waterproof structure design,waterproof level up to IP65;
- 3.Aluminum profile+toughened glass, high impact-resistance;
- 4.LEDs are circularly arranged in symmetric,heat source are efficiently distributed in balance;
- 5.High lighting effect of LEDs up to 140LM/W;
- 6.CRI ≥ 80 , good color rendering performance;
7. Compact appearance, easy to install and transport;
- 8.Multiple installation methods for option: suspending installation,suspended hook installation ; wall installation or ceiling installation with U-shape rotating bracket;
- 9.indoor slight corrosion-proof grade;Application environment $-20\sim 45^{\circ}\text{C}$
- 10.5 years warranty.





Application

**Suitable for large workshop,
basement, warehouse, parking lot, etc.**



Description:

The light is designed without lampshade, small and thin lampbody, smooth lines, attractive appearance. The lampbody adopt die-casting aluminum, professional cooling channel with excellent cooling performance. The light adopt toughened glass to improve impact-resistance capacity. Optional MEANWELL and SOSEN driver, round power beautiful and simple, the LEDs have high lighting effect up to 140 lm/W. IP65 waterproof level, suitable for both indoor and outdoor use.

Product features

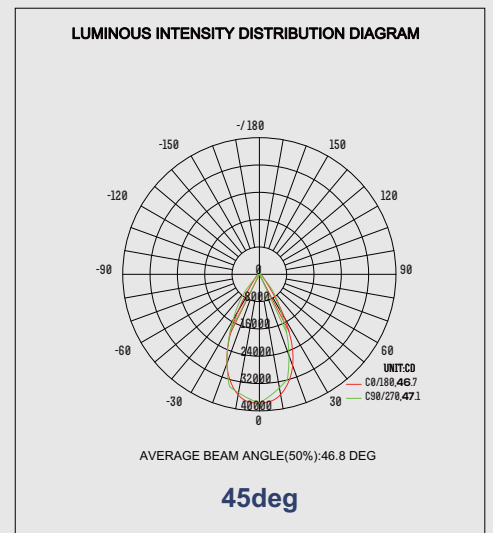
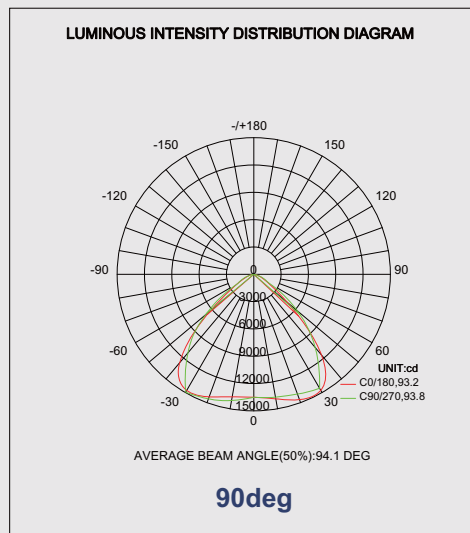
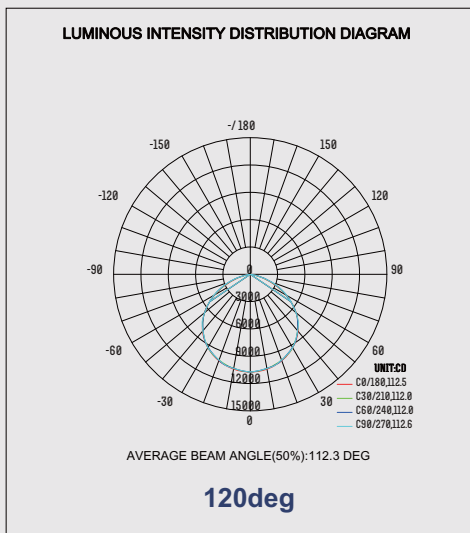
Model	CCT	Lumen(lm) ±10%	Beam (angle°) ±10%	LEDs type CRI	Power(w) ±5%	Voltage Frequency
CB2-060-AW-W-PD02/PS02	5000K	08290	120°	SMD 2835 >80	060	SOSEN: AC100-277V 50/60Hz
CB2-060-AW-NW-PD02/PS02	4000K	08120	90°(pending)			
CB2-060-AW-WW-PD02/PS02	3000K	07560	45°(pending)			
CB2-100-AW/HV-W-PD02/PS02/PE02/PG02/PV02	5000K	14020	120°	SMD 2835 >80	100 Emergency Power 25w 1.5H	MEAN WELL: AC100-277V SOSEN: AC100-277V SOSEN HV: AC347-480V 50/60Hz
CB2-100-AW/HV-NW-PD02/PS02/PE02/PG02/PV02	4000K	13550	90°			
CB2-100-AW/HV-WW-PD02/PS02/PE02/PG02/PV02	3000K	12610	45°			
CB2-150-AW/HV-W-PD02/PS02/PE02/PG02/PV02	5000K	20960	120°	SMD 2835 >80	150 Emergency Power 25w 1.5H	MEAN WELL: AC100-277V SOSEN: AC100-277V SOSEN HV: AC347-480V 50/60Hz
CB2-150-AW/HV-NW-PD02/PS02/PE02/PG02/PV02	4000K	20270	90°			
CB2-150-AW/HV-WW-PD02/PS02/PE02/PG02/PV02	3000K	18920	45°			
CB2-200-AW/HV-W-PD02/PS02/PE02/PG02/PV02	5000K	27840	120°	SMD 2835 >80	200 Emergency Power 25w 1.5H	MEAN WELL: AC100-277V SOSEN: AC100-277V SOSEN HV: AC347-480V 50/60Hz
CB2-200-AW/HV-NW-PD02/PS02/PE02/PG02/PV02	4000K	26930	90°			
CB2-200-AW/HV-WW-PD02/PS02/PE02/PG02/PV02	3000K	24920	45°			
CB2-240-AW/HV-W-PD02/PS02/PE02/PG02/PV02	5000K	33990	120°	SMD 2835 >80	240 Emergency Power 25w 1.5H	MEAN WELL: AC100-277V SOSEN: AC100-277V SOSEN HV: AC347-480V 50/60Hz
CB2-240-AW/HV-NW-PD02/PS02/PE02/PG02/PV02	4000K	32660	90°			
CB2-240-AW/HV-WW-PD02/PS02/PE02/PG02/PV02	3000K	30490	45°			

CB2-060/100/150/200/240-AW/HV-W/NW/WW-Pz02

Series
CCT
Voltage class
Power
Type

- * PD02: 1-10V dimming series
- * PS02: Microwave sensing series
- * PE02: 1-10V dimming series+Emergency
- * PG02: Microwave sensing series+Emergency
- * PV02: 347-480VAC high voltage series

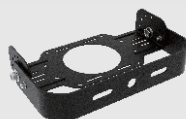
Distribution Diagram



Accessories series



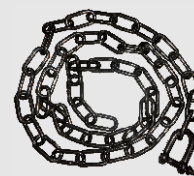
suspended hook



U bracket



Safety rope



Iron chain



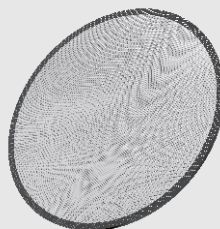
T9 tool



Lampshade



PC lens



Frosted glass(fabric cloth)



Microwave sensor



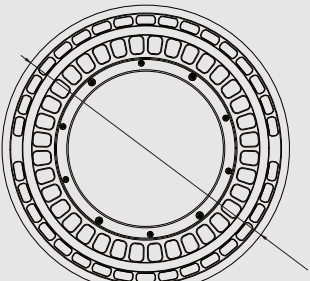
Remote controller

Parts specification

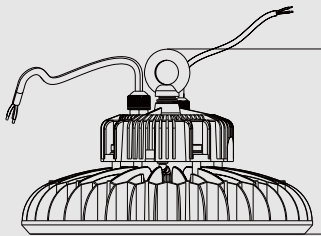
Name	Part coding	Outer carton dimension	Main material	Application scope
Remote controller	207-131-000054-001	As the case may be	Plastic	CB2-100~240-AW-W/NW/WW-PSyy
T9 tool	695-01-0502-409	As the case may be	high speed steel	CB2-100~240-AW-W/NW/WW-Pzyy
U-shape bracket (100-240W)	695-01-0502-352	620*310*200mm/10pcs	Cold rolled steel	CB2-100~240-AW-W/NW/WW-Pzyy
suspended hook(100-200w)	695-01-0502-349	340*340*230mm/50pcs	cast iron+ adc12	Inquiry
suspended hook(150-240w)	695-01-0502-350	340*340*230mm/50pcs	cast iron+ adc12	Inquiry
Microwave sensor (100-240W)	695-01-0502-399	340*340*230mm/10pcs	SUS304+Plastic	CB2-100~240-AW-W/NW/WW-PDyy
Lampshade (80deg/100W)	695-01-0502-386	As the case may be	1070 aluminum	CB2-100-AW-W/NW/WW-Pzyy
Lampshade (80deg/150-200W)	695-01-0502-387	As the case may be	1070 aluminum	CB2-150~200-AW-W/NW/WW-Pzyy
Lampshade (80deg/240W)	695-01-0502-388	As the case may be	1070 aluminum	CB2-240-AW-W/NW/WW-Pzyy
Lens (45/90deg/100W)	695-11-0914-001	205*205*230mm/12pcs	PC	CB2-100-AW-W/NW/WW-Pzyy
Lens (45/90deg/150W)	695-11-0914-002	265*265*230mm/12pcs	PC	CB2-150-AW-W/NW/WW-Pzyy
Lens (45/90deg/200W)	695-11-0914-003	265*265*230mm/12pcs	PC	CB2-200-AW-W/NW/WW-Pzyy
Lens (45/90deg/240W)	695-11-0914-004	315*315*230mm/12pcs	PC	CB2-240-AW-W/NW/WW-Pzyy
Frosted glass(100W)	695-02-0014-001	205*205*230mm/40pcs	Toughened glass	CB2-100-AW-W/NW/WW-Pzyy
Frosted glass(150W)	695-02-0014-002	265*265*230mm/40pcs	Toughened glass	CB2-150-AW-W/NW/WW-Pzyy
Frosted glass(200W)	695-02-0014-003	265*265*230mm/40pcs	Toughened glass	CB2-200-AW-W/NW/WW-Pzyy
Frosted glass(240W)	695-02-0014-004	315*315*230mm/40pcs	Toughened glass	CB2-240-AW-W/NW/WW-Pzyy
Safety rope(1.5m)	695-06-0028-002	As the case may be	SUS304	CB2-100~240-AW-W/NW/WW-Pzyy
Iron chain (1.5m)	695-06-0028-003	340*340*230mm/40pcs	SUS304	CB2-100~240-AW-W/NW/WW-Pzyy
Iron chain (1.0m)	695-06-0028-007	340*340*230mm/40pcs	SUS304	CB2-100~240-AW-W/NW/WW-Pzyy



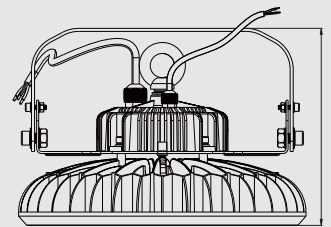
Dimension(Unit:mm/inch)



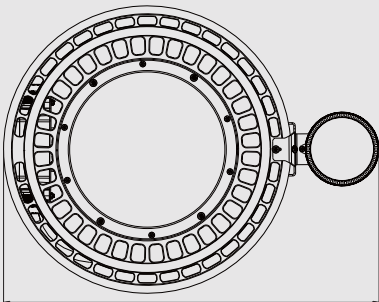
060W: ϕ 235mm/9.25"
 100W: ϕ 280mm/11.02"
 150W: ϕ 320mm/12.6"
 200W: ϕ 340mm/13.39"
 240W: ϕ 400mm/15.75"



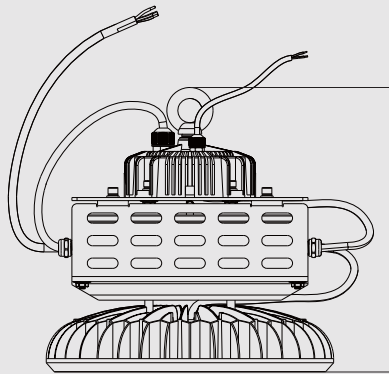
060W: No MEAN WELL, 155mm/6.10"
 100W: 177mm/6.97", 192mm/7.56"
 150W: 196mm/7.72", 201mm/7.91"
 200W: 188mm/7.40", 201mm/7.91"
 240W: 214mm/8.43", 216mm/8.50"
 MEAN WELL Power / SOSEN Power



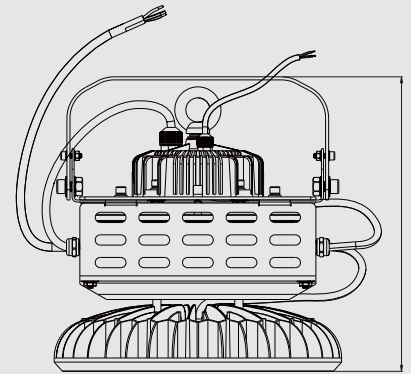
060W: 178mm/7.01"
 100W: 198mm/7.80"
 150W: 207mm/8.15"
 200W: 198mm/7.80"
 240W: 214mm/8.43"
 Match with U-shape bracket



060W: 320mm/12.6"
 100W: 365mm/14.37"
 150W: 405mm/15.94"
 200W: 425mm/16.73"
 240W: 485mm/19.09"



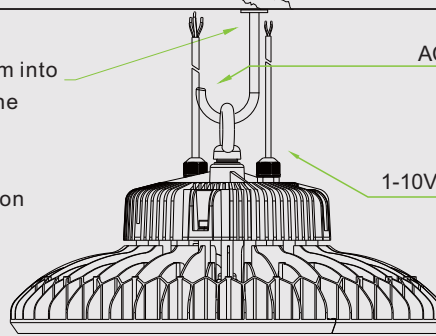
100W: 277mm/10.91", 292mm/11.50"
 150W: 296mm/11.65", 301mm/11.85"
 200W: 288mm/11.34", 301mm/11.85"
 240W: 314mm/12.36", 316mm/12.44"
 MEAN WELL Power / SOSEN Power



100W: 295mm/11.61"
 150W: 304mm/11.97"
 200W: 295mm/11.61"
 240W: 311mm/12.24"
 Match with U-shape bracket

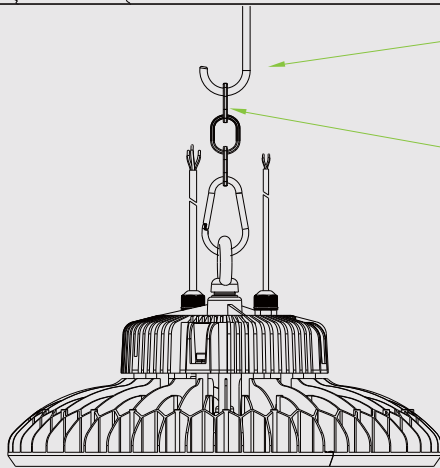
Suspender ring ,suspender installation

1. Please prepare one set of hangers, insert them into installation carrier in advance, and make sure the hangers and installation carrier meet bearing requirement;
2. Screw suspender ring into installation position of lamp body, and tighten it;
3. Hook the lamp body on reserved hanger via suspender rings;



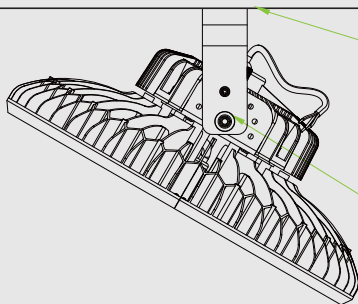
- AC INPUT
- L (brown/black wire)
 - L1 (yellow/red wire, Emergency)
 - N (blue/white wire)
 - GND (yellow&green/green wire)
- 1-10V dimming
- Dim- (white /gray wire)
 - Dim+ (blue/purple wire)

Installation with suspender chain

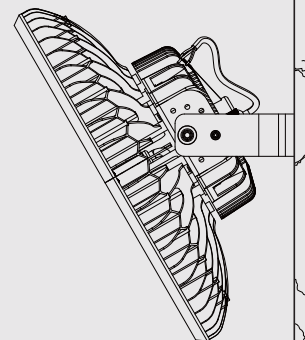


1. Please prepare one set of hangers, insert them into installation carrier in advance, and make sure the hangers and installation carrier meet bearing requirement;
2. Screw suspender ring into installation position of lamp body, and tighten it;
3. Prepare one iron chain as extension carrier;
4. Hook one end of iron chain on lamp body, and hook another end on hanger.

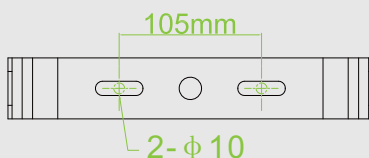
U-shape rotating bracket ceiling or wall installation



1. Prepare two sets of installation bolt, and drill two holes with $\leq \phi 10$ mm in advance, and ensure the installation body conform to bearing requirement;
2. Screw installation bolt into installation hole of lamp installation bracket, and tightening it;
3. Slightly loose fixing screws of bracket, and rotate lamp body to suitable installation angle;
4. Tightening bracket screws, at the same time tightening auxiliary anti-skid screw.

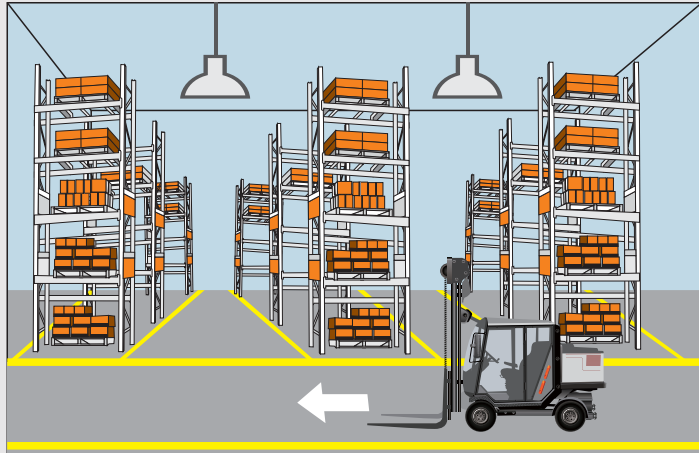


Recommend drilling hole dimension

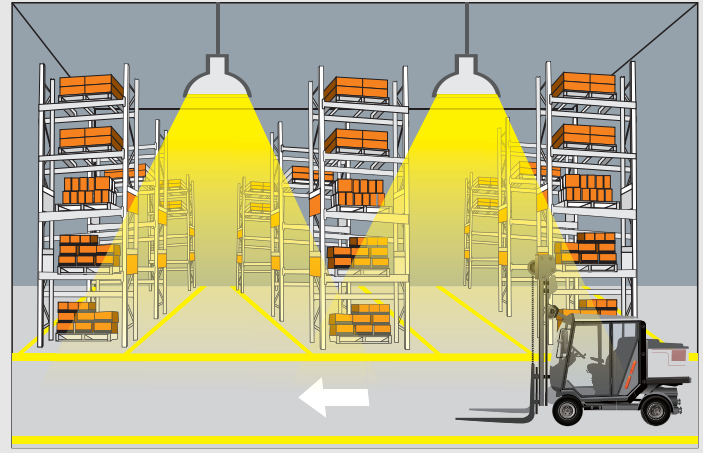


Motion-sensing Function

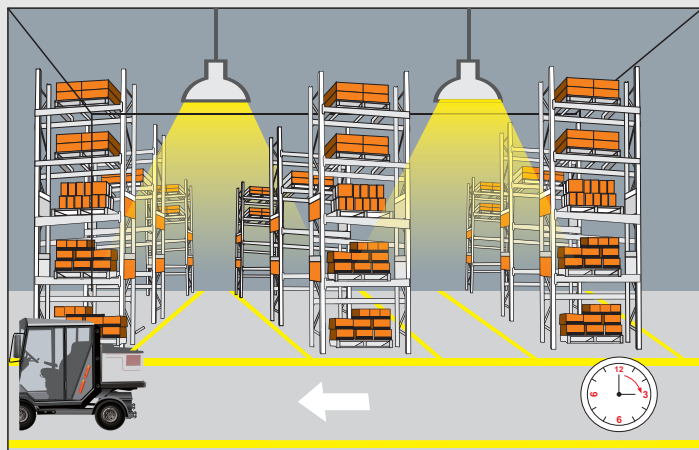
The Cibay2-P high bay Lighting with sensor is innovative and active motion detectors with HF system 5.8GHz. Motion can be detected through plastic, glass and thin non-metal materials. except the higher mounting height 15m Max. Combination with 1-10V dimmable LED drivers , Cibay2-P high bay Lighting with sensor can achieve 3-step dimming function, which is perfect for use in some areas that requires a light change notice before totally switch off. When enable the built-in adjustable daylight sensor, it can read brightness value, the sensor do not switch on the light if with sufficient natural light.



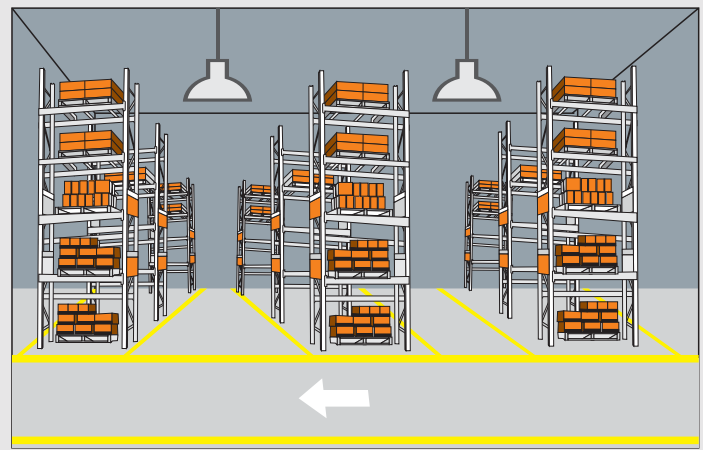
With sufficient ambient light, the sensor does not switch on the lamp.



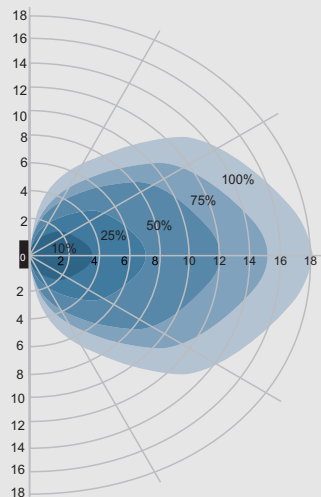
With insufficient ambient light, the sensor switch on the lamp when motion is detected.



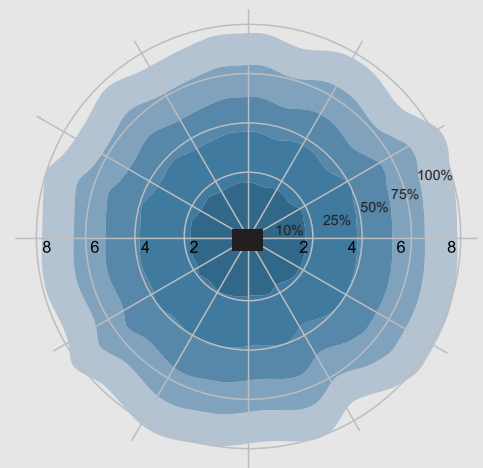
After hold time, the sensor dims the lamp at a low light level if no new motion trigger.



After stand-by period, the sensor switches off the lamp if no motion is detected in its detection zone.



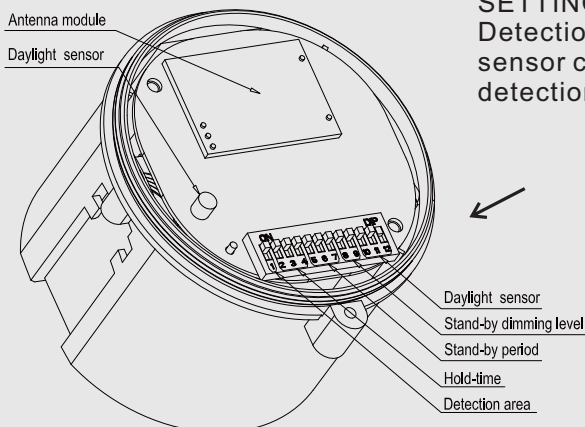
Wall mounting pattern (Unit: m)
Suggested installation height: 1-2m



Ceiling mounting pattern (Unit: m)
Suggested installation height: 3-10m

Microwaves cannot pass through metal or brick walls if thicker than 20cm. They will pass through thinner walls but there will be some attenuation.

Sensor function setting



SETTINGS (DIP SWITCH)

Detection area, hold time, stand-by period, stand-by DIM level and daylight sensor can be set by using DIP switches on the sensor. Note that reducing the detection area will also reduce the sensitivity.

By selecting the combination on the DIP switch, sensor data can be precisely set for each specific application.

ON ↑ [Switch]		1	2	
	I	ON	ON	100%
	II	ON	-	75%
	III	-	ON	50%
	IV	-	-	10%

Detection area

Detection area can be reduced by selecting the combination on the DIP switches to fit precisely each application.
Factory setting: 100%

ON ↑ [Switch]		3	4	5	
	I	ON	ON	ON	5s
	II	-	ON	ON	30s
	III	ON	-	ON	90s
	IV	-	-	ON	3min
	V	ON	ON	-	20min
	VI	-	-	-	30min

Hold time

Refers to the time period the lamp remains at 100% illumination after no motion detected.
Factory setting: 3min

ON ↑ [Switch]		6	7	8	
	I	ON	ON	ON	0s
	II	-	ON	ON	5s
	III	ON	-	ON	5min
	IV	-	-	ON	10min
	V	ON	ON	-	30min
	VI	-	ON	-	1h
	VII	-	-	-	+∞

Stand-by period

Refers to the time period the lamp remains at a pre-setting -dimming level before it completely switches off in the long absence of people
Factory setting: 1min

ON ↑ [Switch]		1	2	3	4	
	I	-	-	ON	ON	2Lux
	II	-	-	-	ON	5Lux
	III	-	ON	ON	-	10Lux
	IV	-	-	ON	-	25Lux
	V	-	ON	-	-	50Lux
	VI	ON	-	-	-	100Lux
	VII	-	-	-	-	Disable

Daylight sensor

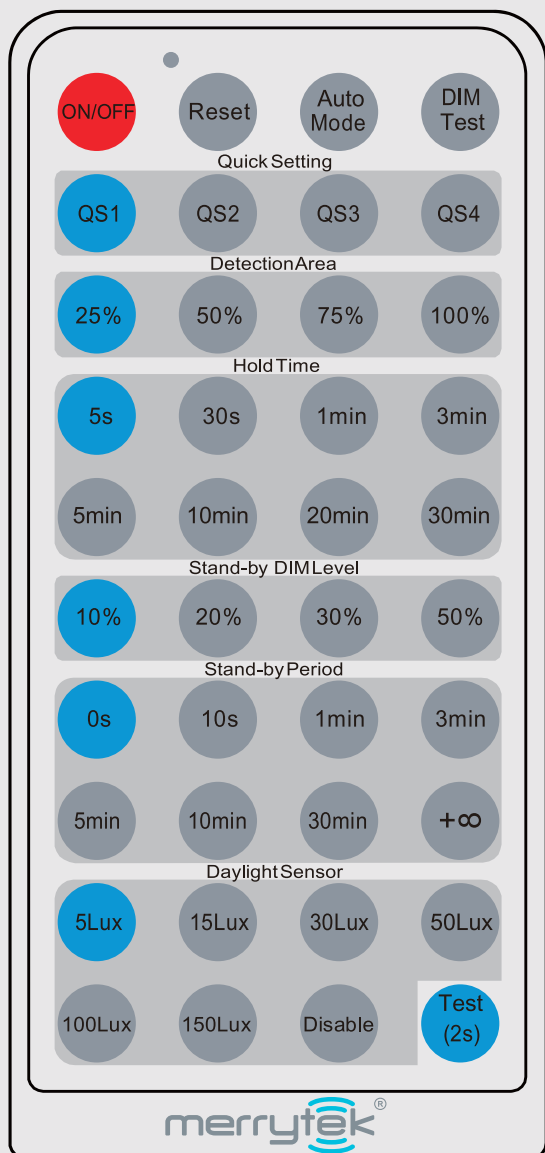
The sensor can be set to only allow the lamp to illuminate below a defined ambient brightness threshold. When set to Disable mode, the daylight sensor will switch on the lamp when motion is detected regardless of ambient level.
Note that daylight sensor is active only when lamp totally switches off.
Factory setting: Disable

ON ↑ [Switch]		5	6	
	I	ON	ON	50%
	II	-	ON	30%
	III	ON	-	20%
	IV	-	-	10%

Stand-by dimming level

This is the pre-setting dimming level you would like to have after the hold time in the long absence of people.
Factory setting: 20%

Remote controller setting



Press the “ON/OFF” button, the light goes to constant on or constant off mode, sensor is disabled. Press “ Reset ” or “ Auto Mode ” button to quit from this mode.



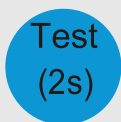
Press “Reset” button, all parameters are same as setting of DIP switch.



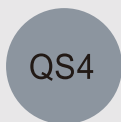
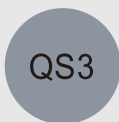
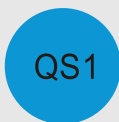
Press “Auto Mode” button, the sensor starts to work and all parameter setting will be remained the same as the previous status before the light was switched on/off.



Press “DIM Test” button to test dimming function. Sensor will dim automatically and return to normal work mode.



The button “Test(2s)” is for factory testing purpose only. The sensor will go to test mode,
 Detection sensitivity: 100%
 Hold time: 2sec
 stand-by dim level: 10%
 Stand-by period: 0s
 Daylight sensor: Disable
 Test mode can be quit by pressing any button.

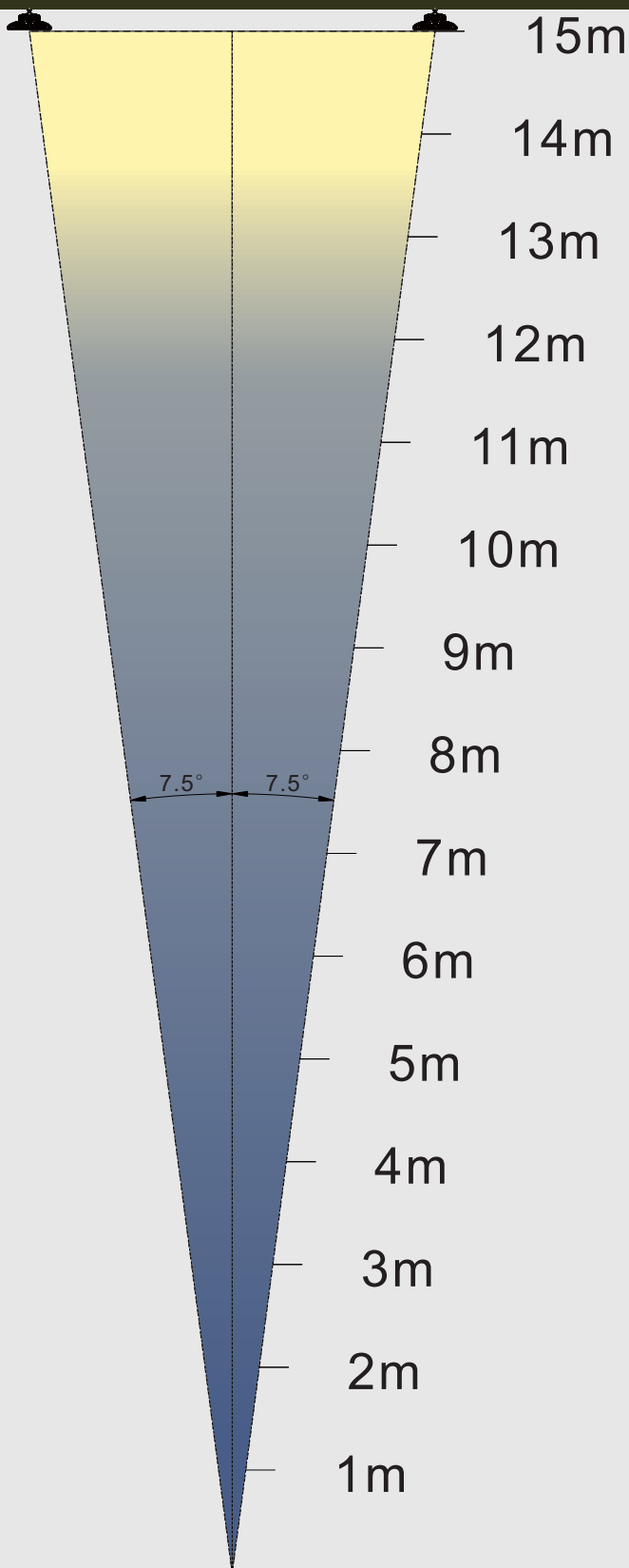


scene Options	Detection Area	Hold Time	Stand-by period	Stand-by dim level	Daylight Sensor
QS1	100%	30 s	1min	10%	5Lux
Qs2	100%	1min	3min	10%	10 Lux
Qs3	100%	5min	10 min	10%	30 Lux
Qs4	100%	10 min	30 min	10%	Disable

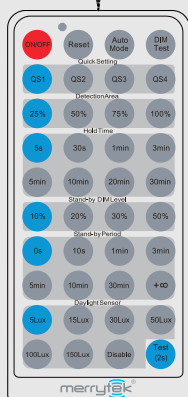
Note: Detection area / Hold time / Stand-by period / Stand-by dim level / Daylight sensor can be adjust by pressing corresponding button. The latest setting stays in validity.

The green work light of microwave sensor will flash 3 times if set successfully by remote control.

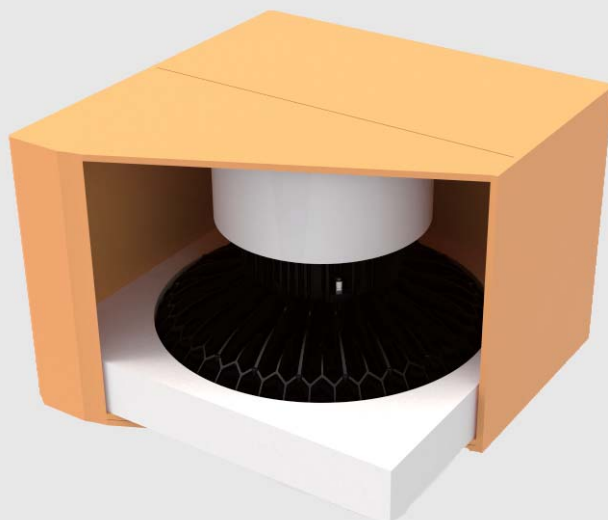
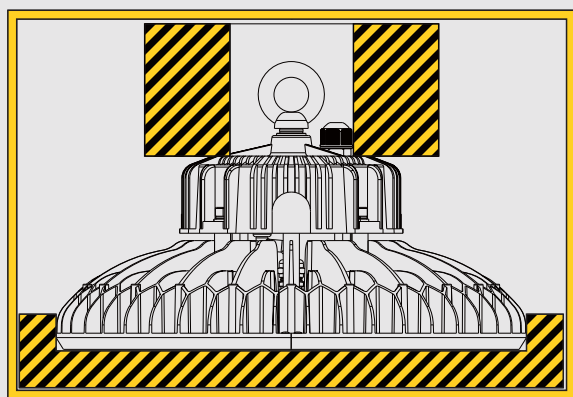
As the control angle of the Infrared Remote Control is fixed (15°), if sensors are installed too close to each other, settings of both sensors will be configured. Please refer to the below chart for the distance of the installation of the sensor:



Mounting height	Distance between sensors
15m	3.95m
14m	3.67m
13m	3.42m
12m	3.16m
11m	2.89m
10m	2.63m
9m	2.37m
8m	2.11m
7m	1.84m
6m	1.58m
5m	1.32m
4m	1.05m
3m	0.79m
2m	0.53m
1m	0.26m



Package information



Model	Power	Net weight	box dimension	Pack Quantity	Gross Weight Per CTN	match with U-shape bracket
PD02	060W	② 2.00Kg	295*295*220mm	1pcs	② 2.50Kg	② 3.00Kg
	100W	① 3.45Kg ② 3.45Kg	345*345*260mm	1pcs	① 4.15Kg ② 4.15Kg	① 5.15Kg ② 5.15Kg
	150W	① 4.85Kg ② 4.85Kg	385*385*270mm	1pcs	① 5.75Kg ② 5.75Kg	① 6.75Kg ② 6.75Kg
	200W	① 5.05Kg ② 5.85Kg	405*405*280mm	1pcs	① 6.10Kg ② 6.90Kg	① 7.10Kg ② 7.90Kg
	240W	① 7.15Kg ② 7.15Kg	465*465*290mm	1pcs	① 8.40Kg ② 8.40Kg	① 9.40Kg ② 9.40Kg
PS02	060W	② 2.50Kg	365*365*220mm	1pcs	② 3.30Kg	② 3.80Kg
	100W	① 3.95Kg ② 3.95Kg	400*400*260mm	1pcs	① 5.00Kg ② 5.00Kg	① 6.00Kg ② 6.00Kg
	150W	① 5.35Kg ② 5.35Kg	440*440*270mm	1pcs	① 6.60Kg ② 6.60Kg	① 7.60Kg ② 7.60Kg
	200W	① 5.55Kg ② 6.35Kg	445*445*280mm	1pcs	① 6.95Kg ② 7.75Kg	① 7.95Kg ② 8.75Kg
	240W	① 7.65Kg ② 7.65Kg	495*495*290mm	1pcs	① 9.25Kg ② 9.25Kg	① 10.25Kg ② 10.25Kg
PE02	100W	① 6.45Kg ② 6.45Kg	345*345*360mm	1pcs	① 7.25Kg ② 7.25Kg	① 8.25Kg ② 8.25Kg
	150W	① 7.85Kg ② 7.85Kg	385*385*370mm	1pcs	① 8.85Kg ② 8.85Kg	① 9.85Kg ② 9.85Kg
	200W	① 8.05Kg ② 8.85Kg	405*405*380mm	1pcs	① 9.20Kg ② 10.00Kg	① 10.20Kg ② 11.00Kg
	240W	① 10.15Kg ② 10.15Kg	465*465*390mm	1pcs	① 11.5Kg ② 11.50Kg	① 12.50Kg ② 12.50Kg
PG02	100W	① 6.95Kg ② 6.95Kg	400*400*360mm	1pcs	① 8.10Kg ② 8.10Kg	① 9.10Kg ② 9.10Kg
	150W	① 8.35Kg ② 8.35Kg	440*440*370mm	1pcs	① 9.70Kg ② 9.70Kg	① 10.70Kg ② 10.70Kg
	200W	① 8.55Kg ② 9.35Kg	445*445*380mm	1pcs	① 10.15Kg ② 10.95Kg	① 11.15Kg ② 11.95Kg
	240W	① 10.65Kg ② 10.65Kg	495*495*390mm	1pcs	① 12.45Kg ② 12.45Kg	① 13.45Kg ② 13.45Kg
PV02	100W	② 3.45Kg	345*345*260mm	1pcs	② 4.15Kg	② 5.15Kg
	150W	② 4.85Kg	385*385*270mm	1pcs	② 5.75Kg	② 6.75Kg
	200W	② 5.85Kg	405*405*280mm	1pcs	② 6.90Kg	② 7.90Kg
	240W	② 7.15Kg	465*465*290mm	1pcs	② 8.40Kg	② 9.40Kg

*: PE02/PG02 weight variable, Marked as maximum weight

*: ① match with MEAN WELL Power

*: ② match with SOSEN Power

Installation requirements

1. Power off before installation, and read the instruction carefully;
2. Make sure the installation material can endure the lamp weight;
3. If choose installation method with suspended ring, first fix the suspended ring on the lamp securely, and hook the suspended bracket on the hanger;
4. If choose rotating bracket installation method, please prepare two sets of expansion bolts, and drill holes in the installation body, then install the lamp, finally screw down expansion bolts and bracket screws.
5. If choose suspended installation, please first prepare extension material first, and cover one end of extension medium on suspended ring of lamp body, then hook another end on the hanger;
6. Connect lamp wire to matched power wire, and seal the joint with insulation.
7. No matter which kind of installation method, the lamp must be installed reliably to prevent loosening and falling off.

Notice

1. Please first read the product specification carefully, make sure the using environment conform to specification, then it can be used;
2. Please confirm the input voltage, frequency before use;
3. This product must be installed by professionals;
4. If there is any damage to the power wire or shell of the product, it should be taken as defective product and do not use it;
5. Dangerous high voltage, non-professionals are not allowed to maintain the product;
6. If external soft cable or soft wire of the light is damaged, it should be replaced by manufacturer or service agent or personnel with similar qualification to avoid danger.