



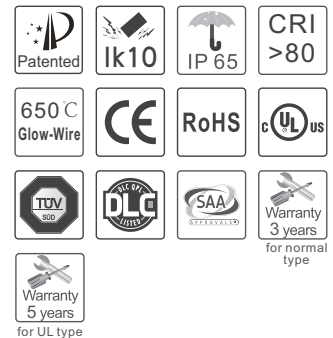
High Power Tri-proof LED Lamp

FTN-TP-030-AW-01/09

FTN-TP-055-AW-01/09

FTN-TP-070-AW-01/09

FTN-TP-080-AW-01/09



Description

This product use durable long life span LED as light source, smooth light without glare, simple looking design. Impact-proof, water-proof and dust-proof, IP rating is up to IP65, can be used in different environment. Use aluminum alloy and PC as the material which ensure that it can work stably in different environment.

Features

1. ArcS I series tri-proof lamp with 230° beam angle to replace fluorescent tube;
2. Water-proof, dust-proof, impact-proof design, can be used in harsh environment;
3. Use fire-resistant PC cover, can pass 650° glow wire test;
4. High efficiency, up to 100 lm/W;
5. External power supply, easy to maintain;
6. Anti-glare cover, protect eyes better.



Specification

Model	CCT	Lumen(lm) (±10%)	Beam (angle)	LED Type Quantity	Power(w) (±10%)	Voltage, Frequency	CRI	PF	Product typ.
FTN-TP-030-AW-W-01	5500-6500K	3100	230°	SMD2835 252pcs	30	AC100-277V 50/60Hz 0.55A	> 80	≥0.9	Normal type series
FTN-TP-030-AW-NW-01	4000-4500K	2840							
FTN-TP-030-AW-WW-01	2700-3200K	2660							
FTN-TP-030-AW-W-09	5500-6500K	3100	230°	SMD2835 252pcs	30	AC100-277V 50/60Hz 0.55A	> 80	≥0.9	Wall mounting series
FTN-TP-030-AW-NW-09	4000-4500K	2840							
FTN-TP-030-AW-WW-09	2700-3200K	2660							
FTN-TP-055-AW-W-01	5500-6500K	5570	230°	SMD2835 420pcs	55	AC100-277V 50/60Hz 0.72A	> 80	≥0.9	Normal type series
FTN-TP-055-AW-NW-01	4000-4500K	5650							
FTN-TP-055-AW-WW-01	2700-3200K	5100							
FTN-TP-055-AW-W-09	5500-6500K	5570	230°	SMD2835 420pcs	55	AC100-277V 50/60Hz 0.72A	> 80	≥0.9	Wall mounting series
FTN-TP-055-AW-NW-09	4000-4500K	5650							
FTN-TP-055-AW-WW-09	2700-3200K	5100							
FTN-TP-070-AW-W-01	5500-6500K	7170	230°	SMD2835 480pcs	70	AC100-277V 50/60Hz 0.91A	> 80	≥0.9	Normal type series
FTN-TP-070-AW-NW-01	4000-4500K	7600							
FTN-TP-070-AW-WW-01	2700-3200K	6630							
FTN-TP-070-AW-W-09	5500-6500K	7170	230°	SMD2835 480pcs	70	AC100-277V 50/60Hz 0.91A	> 80	≥0.9	Wall mounting series
FTN-TP-070-AW-NW-09	4000-4500K	7600							
FTN-TP-070-AW-WW-09	2700-3200K	6630							
FTN-TP-080-AW-W-01	5500-6500K	8090	230°	SMD2835 600pcs	80	AC100-277V 50/60Hz 1.0A	> 80	≥0.9	Normal type series
FTN-TP-080-AW-NW-01	4000-4500K	7900							
FTN-TP-080-AW-WW-01	2700-3200K	7080							
FTN-TP-080-AW-W-09	5500-6500K	8090	230°	SMD2835 600pcs	80	AC100-277V 50/60Hz 1.0A	> 80	≥0.9	Wall mounting series
FTN-TP-080-AW-NW-09	4000-4500K	7900							
FTN-TP-080-AW-WW-09	2700-3200K	7080							

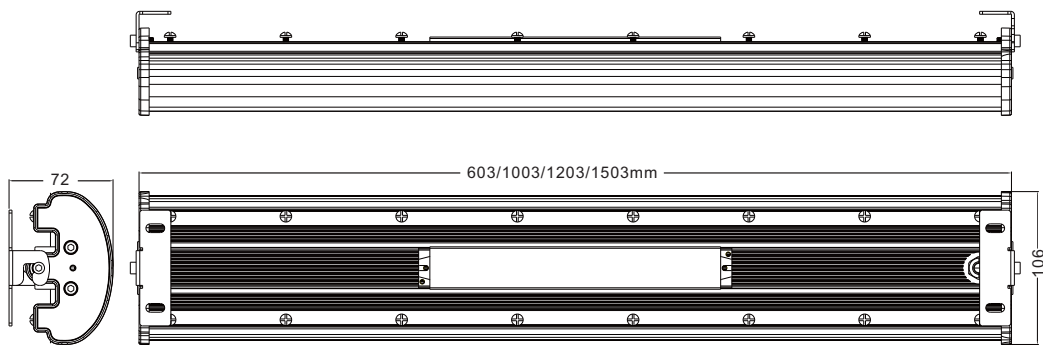


Application

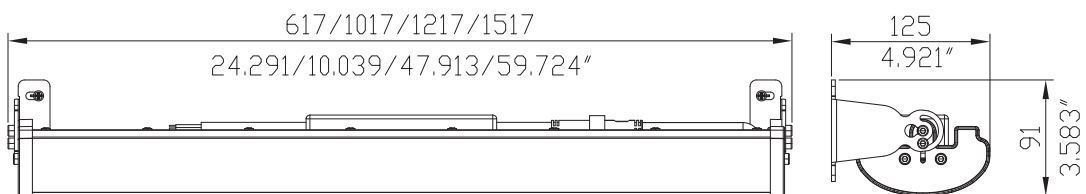
The lamp can be used for outdoor hallway, factory, basement, warehouse, parking lot...



Dimensions(Unit:mm)

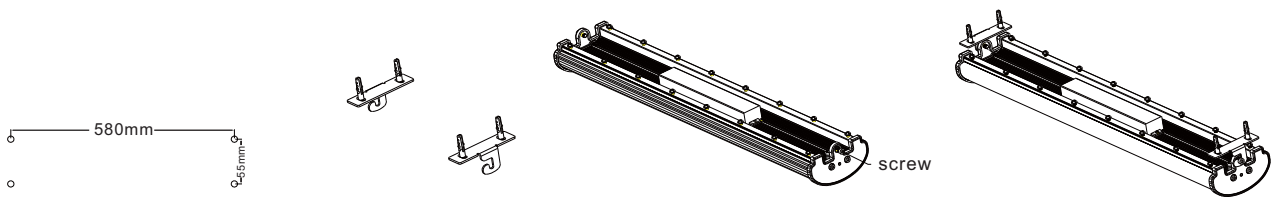


Bracket for wall mounting(Can't replace with normal bracket)



How to fix

Intallation Method I



1. Drill 4 holes of 8mm diameter.

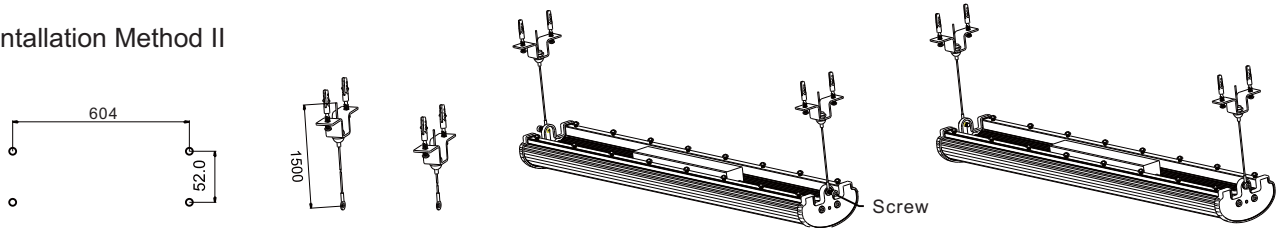
2. Install the holder on the wall, be attention that the direction should be the same.

3. Turning the screw but not tightly, leave 3-4mm space.

4. Install the light and tighten the screw.

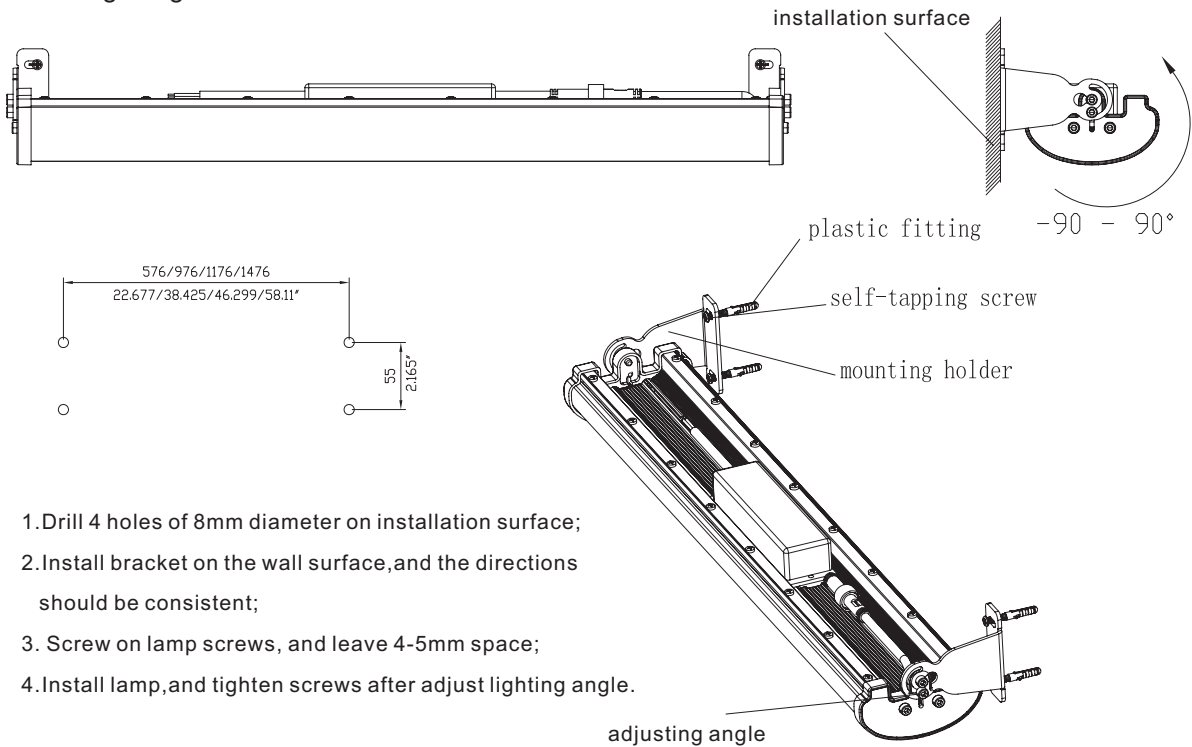


Installation Method II



1. Drill 4 holes of 6.5mm.
2. Install the clip onto the wall.
3. Use screws to connect the hanging ring with screw holes on both sides of the lamp.
4. Adjust the height of the wires of both sides.

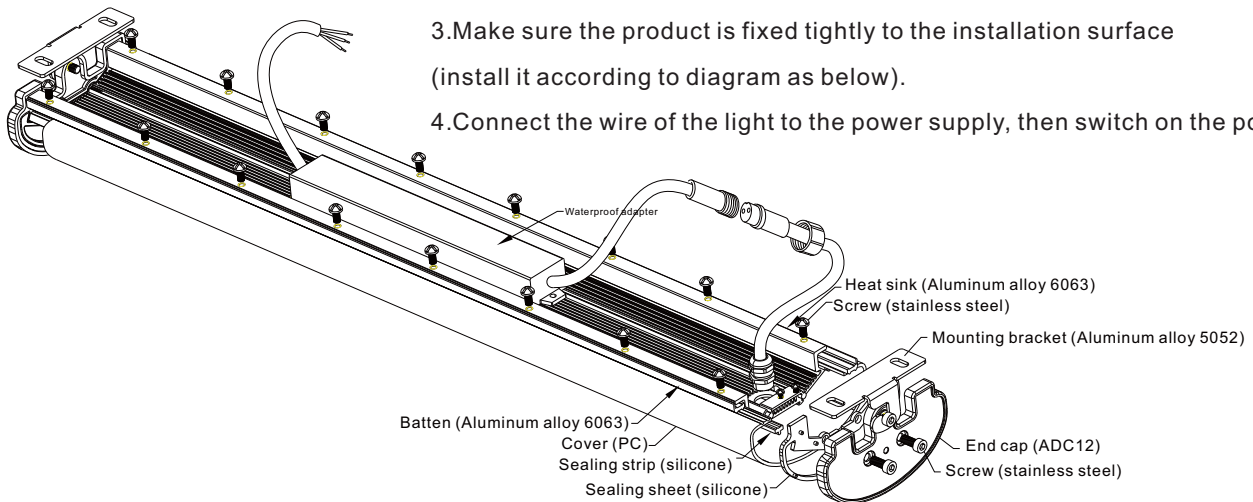
Wall Mounting Diagram



1. Drill 4 holes of 8mm diameter on installation surface;
2. Install bracket on the wall surface, and the directions should be consistent;
3. Screw on lamp screws, and leave 4-5mm space;
4. Install lamp, and tighten screws after adjust lighting angle.

Installation information

1. First set up accessories and fittings of the light.
2. Cut off the power before installation.
3. Make sure the product is fixed tightly to the installation surface (install it according to diagram as below).
4. Connect the wire of the light to the power supply, then switch on the power.





Package information

Power	Packing qty.	Single packing dimension	External carton dimension	Net weight	Gross weight
30W	12PCS	634*123*78mm	643*393*354mm	1.5KG	1.6KG
55W	9PCS	1034*123*78mm	1034*393*264mm	2.8KG	3.1KG
70W	6PCS	1229*123*78mm	1233*393*191mm	3.0KG	3.4KG
80W	6PCS	1529*123*78mm	1533*393*191mm	3.5KG	4.0KG

Notice

- 1.This product must be installed by professional personnels.
- 2.If there is any damage on the power line or the shell of the product, it should be taken as defective product and do not use it.
- 3.Dangerous high voltage, non-professionals are not allowed to maintain the product.