



# Low Power Tri-proof Lamp

FTN-TP-010/020/025-AW-02

FTN-TP-010/020/025-AW-06

FTN-TP-010/020/025-AW-07



## Description

Tri-proof light is usually used in environment which require water-proof, dust-proof, corrosion-proof lighting, and it is widely used in shopping mall,warehouse and other indoor places. Tri-proof light of low power can be ceiling mounted or suspending installed. Adopt aluminum alloy and PC as the material which ensure that it can work stably in different environment. White appearance. Lifespan: 30,000 hours. Operating environment:-20°C-45°C. CE/RoHS compliant.

## Features

1. Water-proof design without adhesive, so there is no water leakage caused by adhesive aging, convenient to disassemble;
2. Light panel and PSU adopt modular design,connected via terminals, easy and convenient to maintain, no need of soldering;
3. Energy saving and eco-friendly, no IR or UV ,no mercury contamination, RoHS compliant;
4. Aluminum profile+PC, high impact resistance, good waterproof and anti-aging performance;
5. High transmittance PC cover transmit soft light+small power LEDs, high light efficiency ,uniform light ; no dark spot;
6. High efficient heat dissipation, LEDs and power supply work in low temperature ,high stability of continuous working;
7. Can switch start frequently, no flicker and flare ,good color rendering performance. Compact appearance, novel design style, easy to install and transport.



## Specifications

Model	CCT	Lumen(lm) (±10%)	Beam (angle)	LED Type Quantity	Power(w) (±10%)	Voltage, Frequency	CRI	PF	Product typ.
FTN-TP-010-AW-W-02	4700-5300K	1150	120°	SMD2835 48pcs	10	AC100-277V 50/60Hz	> 80	≥0.9	UL compliant series
FTN-TP-010-AW-NW-02	3800-4200K	1150							
FTN-TP-010-AW-WW-02	2700-3200K	950							
FTN-TP-020-AW-W-02	4700-5300K	2150	120°	SMD2835 96pcs	20	AC100-277V 50/60Hz	> 80	≥0.9	UL compliant series
FTN-TP-020-AW-NW-02	3800-4200K	2150							
FTN-TP-020-AW-WW-02	2700-3200K	1850							
FTN-TP-025-AW-W-02	4700-5300K	2700	120°	SMD2835 120pcs	25	AC100-277V 50/60Hz	> 80	≥0.9	UL compliant series
FTN-TP-025-AW-NW-02	3800-4200K	2700							
FTN-TP-025-AW-WW-02	2700-3200K	2300							
FTN-TP-010-AW-W-06	5500-6500K	1150	120°	SMD2835 48pcs	10	AC100-277V 50/60Hz	> 80	≥0.9	Normal type series
FTN-TP-010-AW-NW-06	4000-4500K	1150							
FTN-TP-010-AW-WW-06	2700-3200K	950							
FTN-TP-020-AW-W-06	5500-6500K	2150	120°	SMD2835 96pcs	20	AC100-277V 50/60Hz	> 80	≥0.9	Normal type series
FTN-TP-020-AW-NW-06	4000-4500K	2150							
FTN-TP-020-AW-WW-06	2700-3200K	1850							
FTN-TP-025-AW-W-06	5500-6500K	2700	120°	SMD2835 120pcs	25	AC100-277V 50/60Hz	> 80	≥0.9	Normal type series
FTN-TP-025-AW-NW-06	4000-4500K	2700							
FTN-TP-025-AW-WW-06	2700-3200K	2300							
FTN-TP-010-AW-W-07	5500-6500K	1150	120°	SMD2835 48pcs	10	AC100-277V 50/60Hz	> 80	≥0.9	TUV compliant series
FTN-TP-010-AW-NW-07	4000-4500K	1150							
FTN-TP-010-AW-WW-07	2700-3200K	950							
FTN-TP-020-AW-W-07	5500-6500K	2150	120°	SMD2835 96pcs	20	AC100-277V 50/60Hz	> 80	≥0.9	TUV compliant series
FTN-TP-020-AW-NW-07	4000-4500K	2150							
FTN-TP-020-AW-WW-07	2700-3200K	1850							
FTN-TP-025-AW-W-07	5500-6500K	2700	120°	SMD2835 120pcs	25	AC100-277V 50/60Hz	> 80	≥0.9	TUV compliant series
FTN-TP-025-AW-NW-07	4000-4500K	2700							
FTN-TP-025-AW-WW-07	2700-3200K	2300							

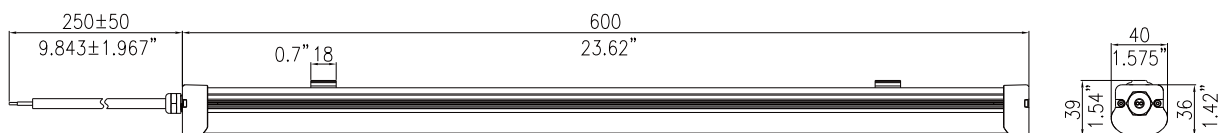


## Applications

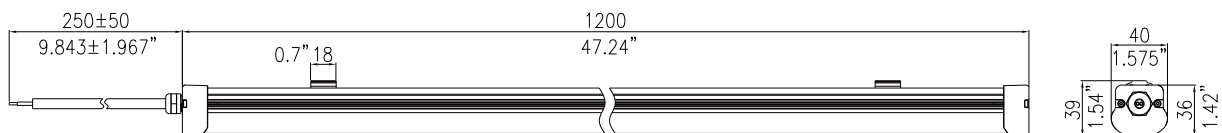
Tri-proof light can be used in warehouse, parking lot, shopping mall, farm, food factory, cold storage, metro, underground passage and other places.



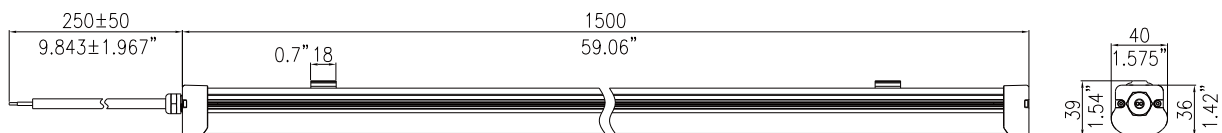
## Dimensions (Unit: mm)



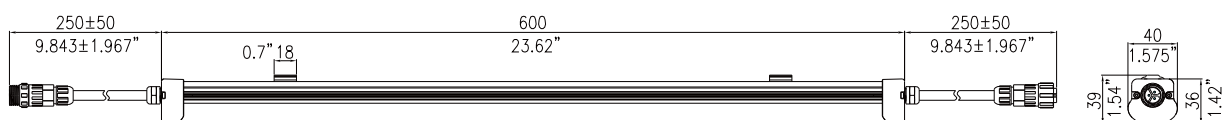
0.6m, 10W  
Three-core waterproof bare wire expose from one end by 250mm



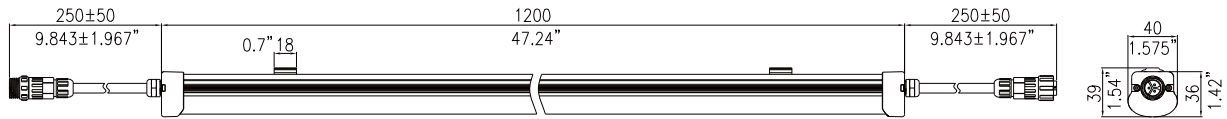
1.2m, 20W  
Three-core waterproof bare wire expose from one end by 250mm



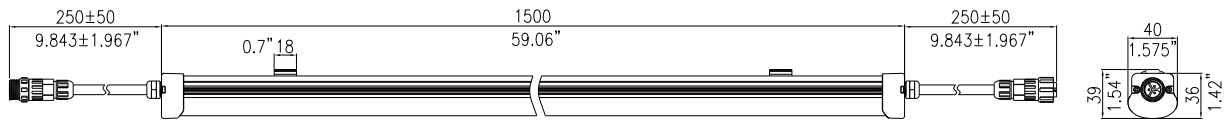
1.5m, 25W  
Three-core waterproof bare wire expose from one end by 250mm



0.6m, 10W  
Three-core connecting wire expose from two ends by 250mm, UL/TUV compliant

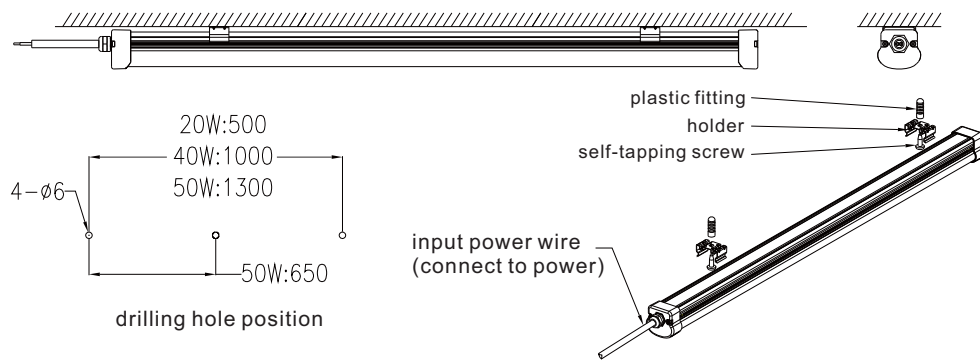


1.2m, 20W  
Three-core connecting wire expose from two ends by 250mm, UL/TUV compliant

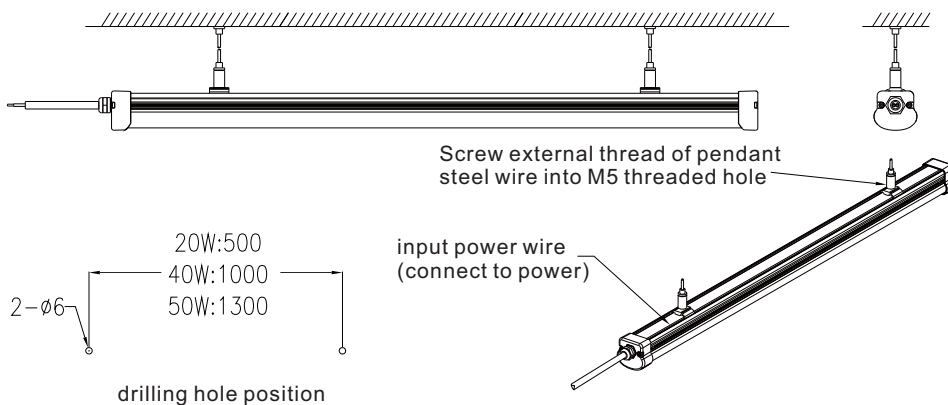


1.5m, 25W  
Three-core connecting wire expose from two ends by 250mm, UL/TUV compliant

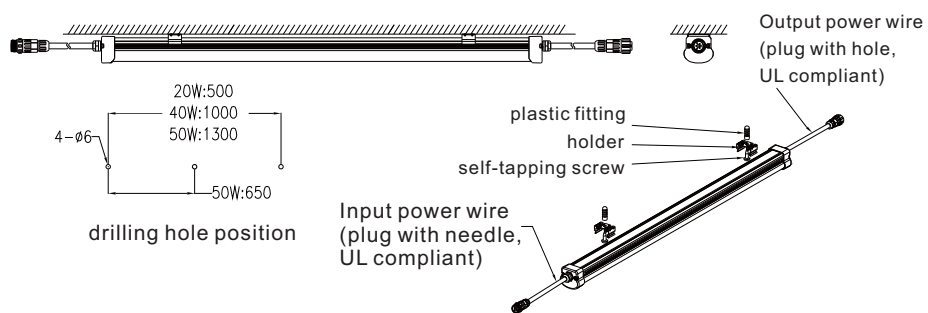
## How to fix



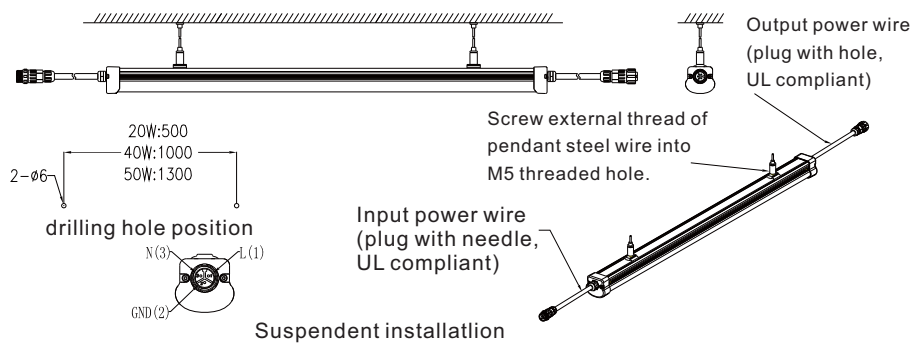
Ceiling installation  
Three-core waterproof bare wire expose from one end



Suspend installation  
Three-core waterproof bare wire expose from one end

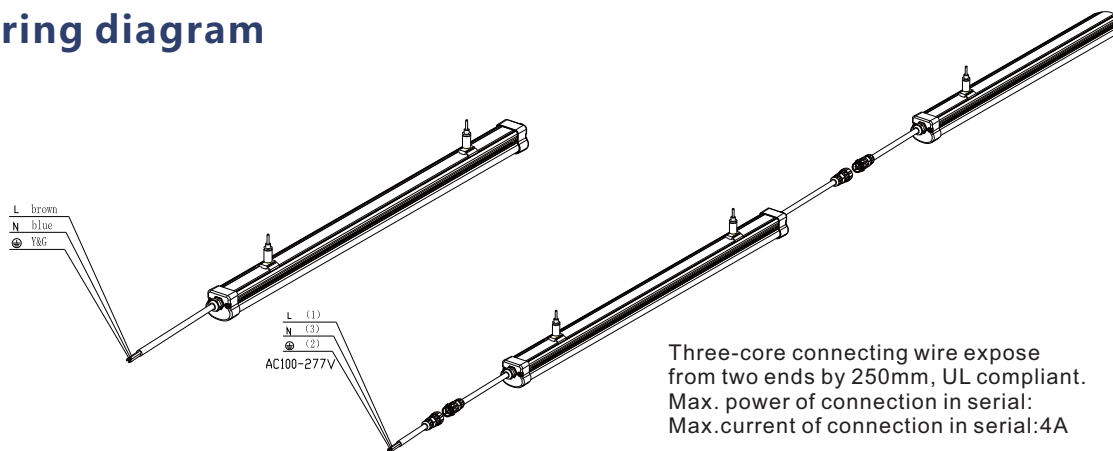


Ceiling installation  
Three-core connecting wire expose from two ends by 250mm, UL/TUV compliant.



Three-core connecting wire expose from two ends by 250mm, UL/TUV compliant.

## Wiring diagram



## Package information

10W net weight: 0.35kg gross weight: 0.45kg  
outer carton dimension 720\*280\*195mm (12PCS per box)

20W net weight: 0.6kg gross weight: 0.75kg  
outer carton dimension 1320\*280\*195mm (12PCS per box)

25W net weight: 0.85kg gross weight: 1.05kg  
outer carton dimension 1620\*280\*195mm (12PCS per box)

## Installation information

1. Power off before installation;
2. First make sure the installation material can endure the weight of light, securely fix the holder on the installation surface with installation accessories, then install the light into the holder;
3. Connect the light wire to the wire of power supply, and process the joint with insulation sealing;
4. If you choose suspension installation, please first fix the steel wire on the installation surface, then put another end into the M5 screw thread hole which leave first, finally adjust the length of steel wire and make sure it won't loose and falling;
5. Outlet wire of two ends on lamp can be connected in serial directly, and the max. current of serial



## Notice

1. Please first read the product specification carefully, make sure the using environment conform to specification, then it can be used;
2. Please confirm the input voltage, frequency before use;
3. This product must be installed by professionals;
4. If there is any damage to the power wire or shell of the product, it should be taken as defective product and do not use it;
5. Dangerous high voltage, non-professionals are not allowed to maintain the product;
6. If external soft cable or soft wire of the light is damaged, it should be replaced by manufacture or service agent or personnel with similar qualification to avoid danger.