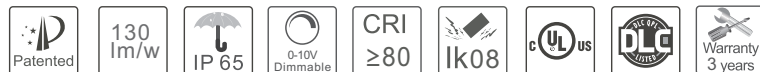




VT Emergency Series

VT2F-020/030-AW-XXK-YY

VT4F-030/040/050/060-AW-XXK-YY



Description:

VT series is usually used in environment which require water-proof,dust-proof,slight corrosion-proof lighting, and it is widely used in parking lot,food factory, dust factory, cold storage, station and other indoor places; VT series lamp can be ceiling mounted or suspension mounted;the lamp adopt PC as eco-friendly material,and it can work stably in different environment;the lamp adopt LEDs of high lighting effect up to 150LM/W, and it can save energy 70% above.Built-in sensor, beautiful appearance, convenient to install, suitable for different applications. Power supply with iron shell, equipped with high quality LEDs, lifespan up to 50,000 hours. VT light is equipped with emergency backup, when power cut, light can continuously work 90min. charging time ≤24 hours, suitable for places which need emergency lighting.

Features:

- 1.Knob buckle, easy to operate; add shockproof and anti-loose bumping, more securely;
- 2.Screwless wire connection, tool free (press type wiring);
- 3.Power supply cooling via metal shell, better cooling effect than plastic shell;
- 4.Adopt CLASS P power supply,more flexible choice;
- 5.Milky white cover and strips cover optional;
- 6.Plastic buckle and metal buckle optional;
- 7.When installation, the buckle can hang the PC cover, convenient to connect wire;
- 8.Plastic PG13.5 and quick-connect terminal optional;
- 9.High transmittance top cover, high lighting effect,uniform and soft light;
- 10.Plastic shell, low weight,suitable for ceiling and suspension installation;
- 11.PC cover,impact resistance,IK08;
- 12.Operating environment temperature:0°C- 35°C;
- 13.Corrosion-proof grade: slight protection.



Technical parameters:

Model	CCT	Lumen (lm) (±10%)	Beam angle	LED Type	Voltage frequency	Power(w) (±10%)	Emergency Power(w)	Max. current (A)	CRI	PF
VT2F-020-AW-50K-E01	5000K	3040	120°	SMD2835	AC100-277V 50/60Hz	20	5	0.3A	≥80	≥0.9
VT2F-020-AW-40K-E01	4000K	2900	120°							
VT2F-020-AW-35K-E01	3500K	2700	120°							
VT2F-020-AW-30K-E01	3000K	2700	120°							
VT2F-020-AW-50K-E02	5000K	2940	120°							
VT2F-020-AW-40K-E02	4000K	2860	120°							
VT2F-020-AW-35K-E02	3500K	2600	120°							
VT2F-020-AW-30K-E02	3000K	2540	120°							
VT2F-030-AW-50K-E01	5000K	4410	120°	SMD2835	AC100-277V 50/60Hz	30	5	0.4A	≥80	≥0.9
VT2F-030-AW-40K-E01	4000K	4260	120°							
VT2F-030-AW-35K-E01	3500K	4050	120°							
VT2F-030-AW-30K-E01	3000K	4050	120°							
VT2F-030-AW-50K-E02	5000K	4350	120°							
VT2F-030-AW-40K-E02	4000K	4200	120°							
VT2F-030-AW-35K-E02	3500K	3900	120°							
VT2F-030-AW-30K-E02	3000K	3900	120°							
VT4F-030-AW-50K-E01	5000K	4560	120°	SMD2835	AC100-277V 50/60Hz	30	5	0.4A	≥80	≥0.9
VT4F-030-AW-40K-E01	4000K	4350	120°							
VT4F-030-AW-35K-E01	3500K	4050	120°							
VT4F-030-AW-30K-E01	3000K	4050	120°							
VT4F-030-AW-50K-E02	5000K	4410	120°							
VT4F-030-AW-40K-E02	4000K	4290	120°							
VT4F-030-AW-35K-E02	3500K	3900	120°							
VT4F-030-AW-30K-E02	3000K	3900	120°							
VT4F-040-AW-50K-E01	5000K	5880	120°	SMD2835	AC100-277V 50/60Hz	40	9	0.5A	≥80	≥0.9
VT4F-040-AW-40K-E01	4000K	5680	120°							
VT4F-040-AW-35K-E01	3500K	5400	120°							
VT4F-040-AW-30K-E01	3000K	5400	120°							
VT4F-040-AW-50K-E02	5000K	5800	120°							
VT4F-040-AW-40K-E02	4000K	5600	120°							
VT4F-040-AW-35K-E02	3500K	5200	120°							
VT4F-040-AW-30K-E02	3000K	5200	120°							
VT4F-050-AW-50K-E01	5000K	7350	120°	SMD2835	AC100-277V 50/60Hz	50	9	0.6A	≥80	≥0.9
VT4F-050-AW-40K-E01	4000K	7100	120°							
VT4F-050-AW-35K-E01	3500K	6750	120°							
VT4F-050-AW-30K-E01	3000K	6750	120°							
VT4F-050-AW-50K-E02	5000K	7250	120°							
VT4F-050-AW-40K-E02	4000K	7000	120°							
VT4F-050-AW-35K-E02	3500K	6500	120°							
VT4F-050-AW-30K-E02	3000K	6500	120°							
VT4F-060-AW-50K-E01	5000K	8400	120°	SMD2835	AC100-277V 50/60Hz	60	9	0.7A	≥80	≥0.9
VT4F-060-AW-40K-E01	4000K	8220	120°							
VT4F-060-AW-35K-E01	3500K	7980	120°							
VT4F-060-AW-30K-E01	3000K	7980	120°							
VT4F-060-AW-50K-E02	5000K	8280	120°							
VT4F-060-AW-40K-E02	4000K	8100	120°							
VT4F-060-AW-35K-E02	3500K	7800	120°							
VT4F-060-AW-30K-E02	3000K	7800	120°							

01= stripes cover series
02= milky cover series

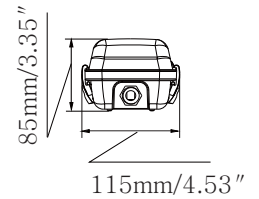
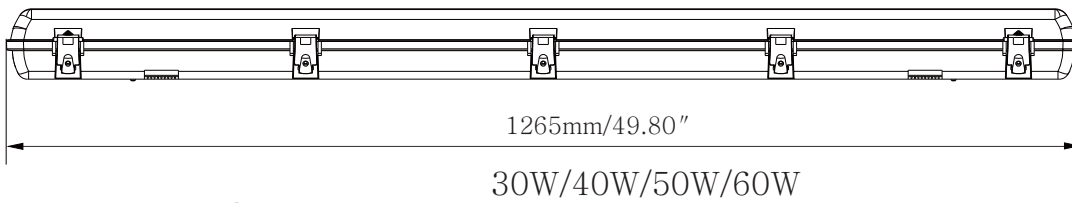
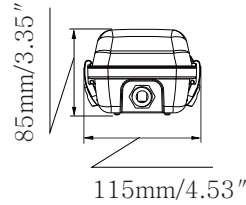
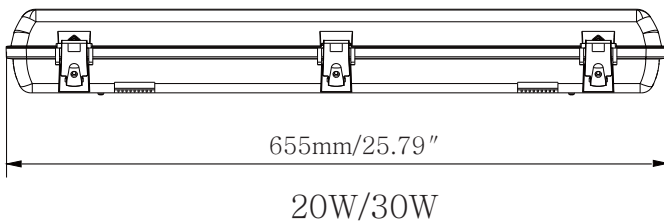


Main application :

Tri-proof light can be used in warehouse, parking lot, shopping mall, farm, food factory, cold storage, metro, underground passage and other places.

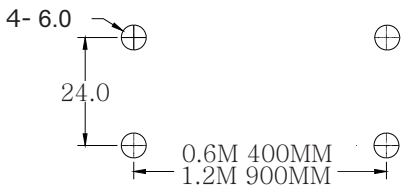
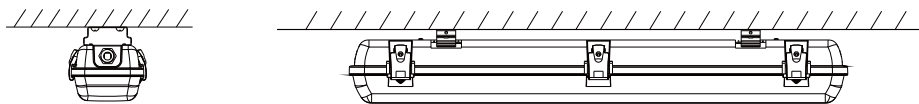


Dimension(Unit:mm):

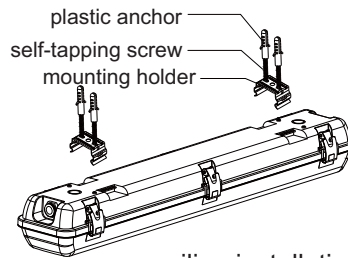


Installation figure:

Ceiling installation A

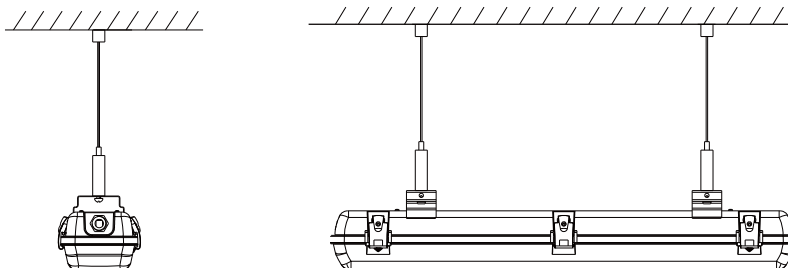


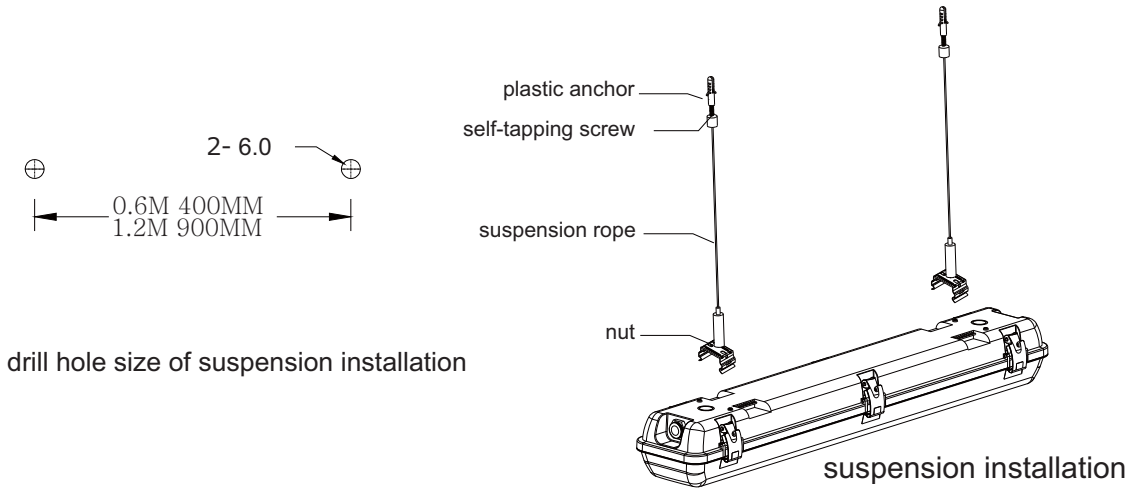
drill hole size of ceiling installation



ceiling installation

Suspension installation B



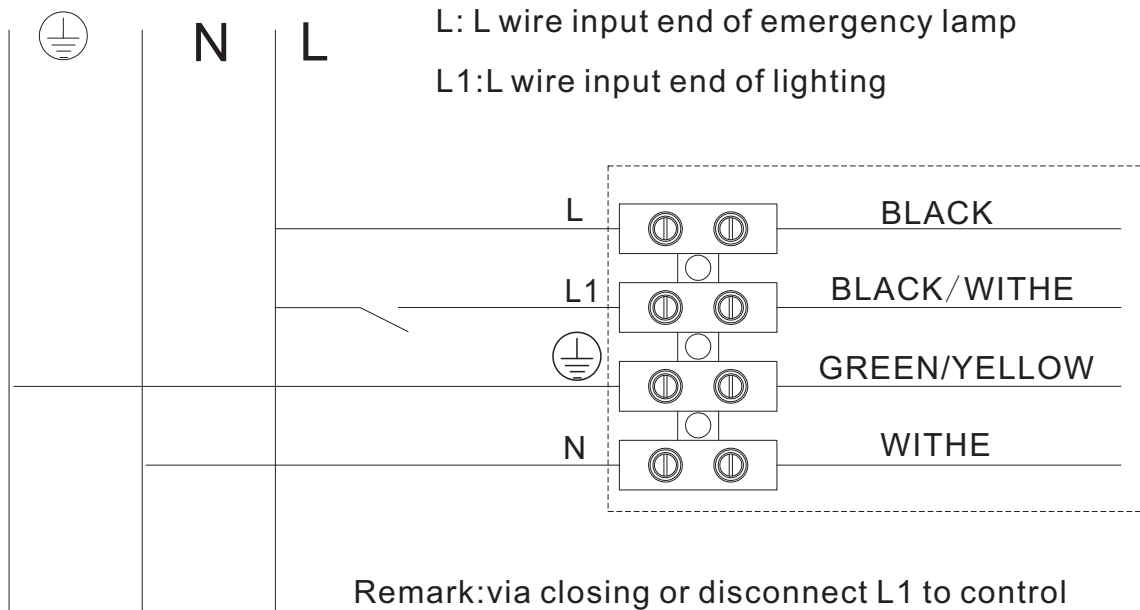


Package information :

product dimension	Inner packaging dimension	Outer carton dimension	Net weight	Gross weight	Qty.
0.6 m	670*130*100mm	690*540*320mm	1.78Kg	2.08Kg	12pcs/Carton
1.2 m	1280*130*100mm	1300*410*220mm	2.66Kg	3.26Kg	6pcs/Carton

Wiring diagram:

100-277V



Remark: via closing or disconnect L1 to control normal lighting, and emergency lighting open when L power off.



Installation requirement:

1. Power off before installation;
2. First make sure the installation material can endure the weight of light, securely fix the lamp on the installation surface with bolts, then fix the light to the hook of clamp with bolts;
3. Connect the lamp wire to the wire of power supply, and process the joint with insulation sealing;
4. If you choose suspension installation, please first fix the steel wire on the installation surface, then fix the lamp body to the ring of steel wire with bolts, finally adjust the length of steel wire.

! Notice:

1. Please first read the product specification carefully, make sure the using environment conform to specification, then it can be used;
2. Please confirm input voltage, frequency before use;
3. The lamp must be installed by professionals;
4. If there is any damage to the power wire or shell of the product, it should be taken as defective product and do not use it;
5. Dangerous high voltage, non-professionals are not allowed to maintain the product;
6. If external soft cable or soft wire of the light is damaged, it should be replaced by manufacturer or service agent or personnel with similar qualification to avoid danger;
7. When connect wire of AC, the terminal shouldn't press to external skin, ensure good contact;
8. Please do not let water enter the interior, please do not collide with the LEDs' surface;
9. Corrosivity in the using environment can't exceed the anti-corrosion grade regulation, if you have special requirement, please first consult with our company.