

Signal Amplifier

LA-RGB-D5-01



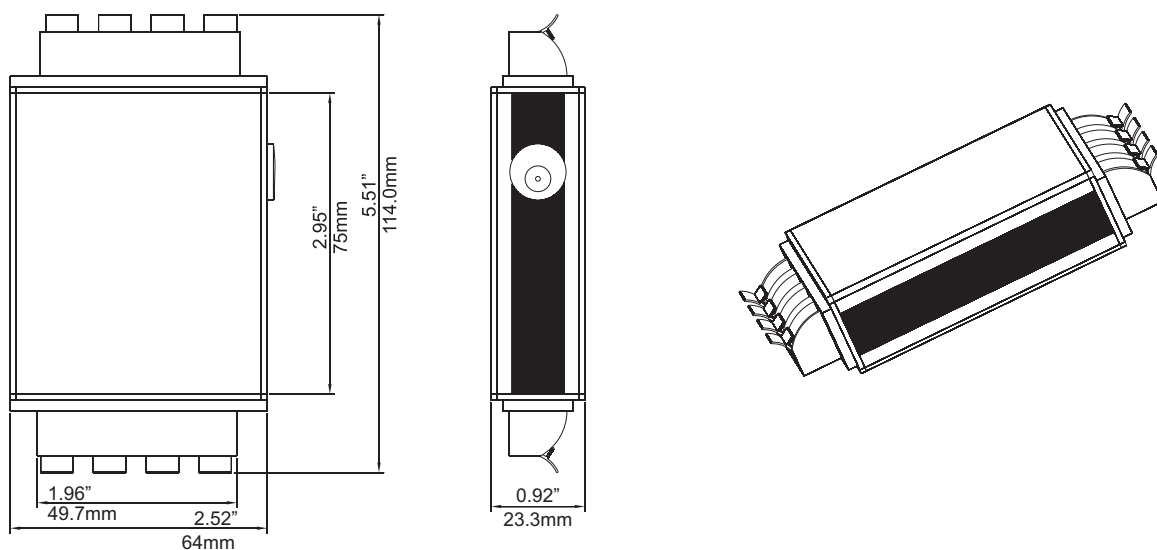
Features

LED amplifier adapt to all of our LED strips, luminaries or any other luminaries similar with ours. Using an amplifier on every degree for connecting more RGB luminaries, (the concreteness situation should be decided by the power of the amplifier) In theory, one controller could connect innumerable amplifiers.

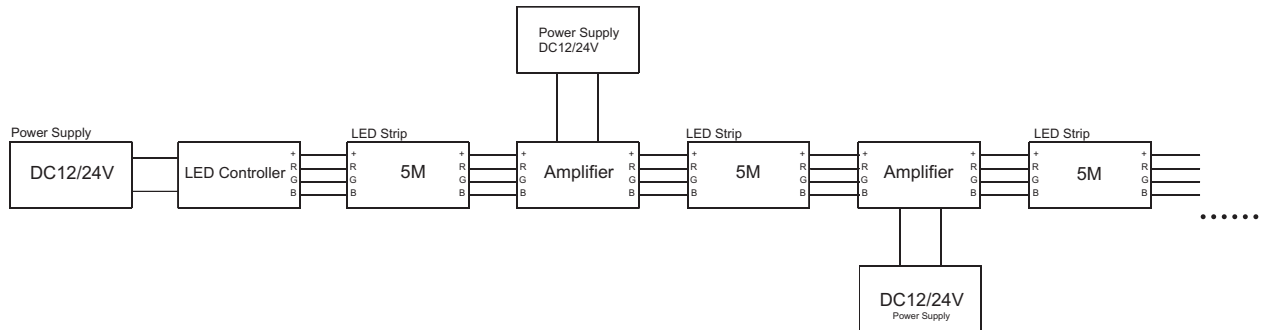
Technical Parameter

Input voltage: DC 12V / 24V
 Output power: 108W(DC12V)/216W(DC24V)
 Output channel: RGB 3 channels
 Output current: 3A / channel
 Weight: 106g
 Work temperature: -20°C~60°C

Dimensions (Unit: mm/inch)



Connection Drawing



Cautions

1. Make sure the power supplies which used to drive the controller and the amplifier are from the same manufacture or belong to the same type. otherwise there will be out of sync situation as the different operating frequency when turn on or off the power supply.
2. When installing the controller, first cut off the power of controller, connect well the LED light with controller, then connect the controller with power supply.