

Infrared Remote Controller

LC-0RGB-D2-02



Description:

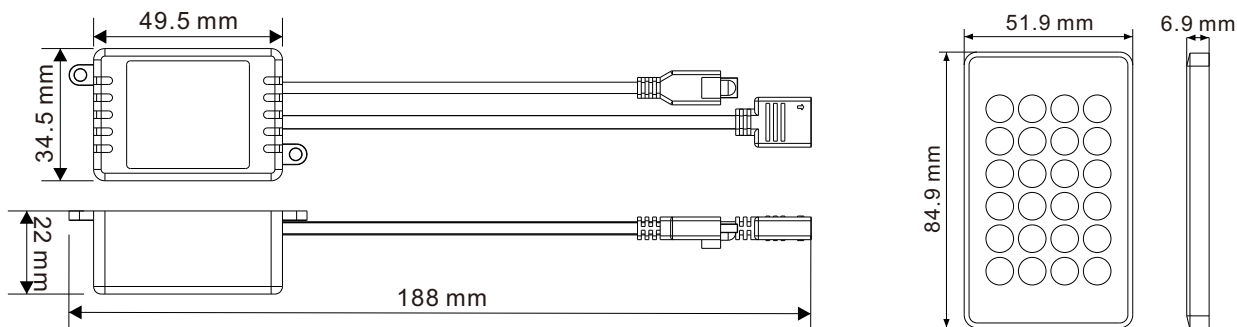
24 keys IR controller is with multiple functions, adopt advanced MCU control, used for LEDs luminaires ; the controller has 20 modes to choose, low cost,easy wiring, convenient to use; via IR controller,LED lights can be changed the mode,adjusted the speed and brightness,chosen the static colour various dynamic light change effect can be realized.

Technical parameters:

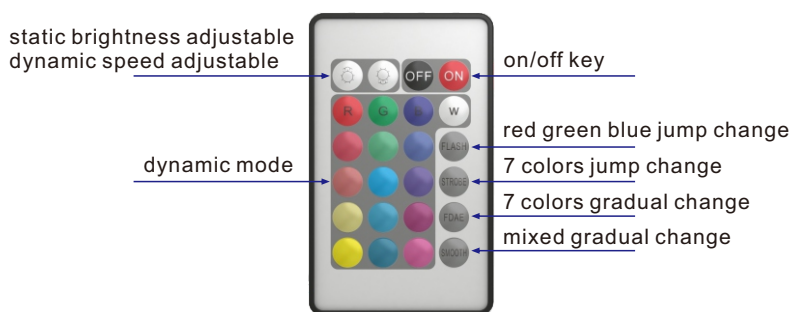
working voltage:5-12V DC	working temperature range:-20 ℃ -60 ℃
output: 3 channels	Product dimension:L62*W35*H23mm
max. load current:2A/channel	packing dimension:L90*W56*H34mm
control color type:RGB	weight(gross weight):70 gram
max.power:72W	connection type: common anode
remote distance: max.10m	static power:< 1W
color mode:20 kinds	



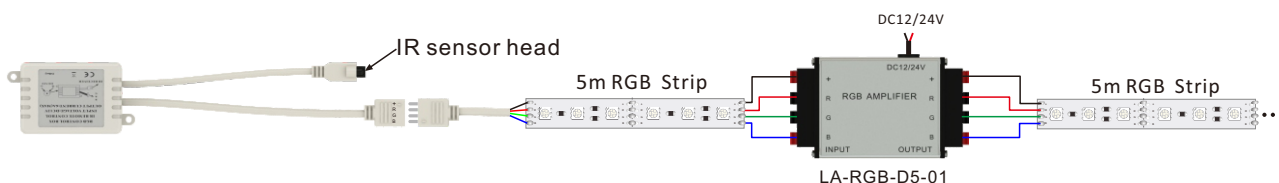
Dimension(unit:mm):



Function description of remote controller:



Wiring diagram :



Color modes:

1. static red	8. static cyan	15. static carmine
2. static orange	9. static light blue	16. static white light
3. static dark yellow	10. static sky blue	17. RGB 3 colors jump change
4. static yellow	11. static blue	18. 7 colors jump change
5. static light yellow	12. static dark blue	19. 7 colors gradual change
6. static green	13. static pink	20. mixed gradual change
7. static light green	14. static purple	



Faulty analysis and solution:

Fault phenomenon	Reason analysis	Solutions
Light is not on	<ol style="list-style-type: none"> 1. Switching Power No power 2. Positive and negative power lines reversed 3. Pick the wrong line or not securely connected 	<ol style="list-style-type: none"> 1. Check switch power supply; 2. Correct after checking; 3. Check wire connection and connect wire well.
Wrong color	RGB wire wrong connection	Check RGB wire again and connected it well.
One mode doesn't change	Speed hasn't been adjusted	Press speed key to speed up.
Uneven LED brightness	<ol style="list-style-type: none"> 1. Output line is too long have drop; 2. Wire of small diameter has voltage drop; 3. Over-load power supply; 4. Over-load controller. 	<ol style="list-style-type: none"> 1. Shorten circuit or ring-shape power feeding; 2. Calculate current, replace with thick wire; 3. Replace with power supply of high power; 4. Add power repeater.
<p>Tips: The effective power of switch power supply is only 80% of that marked, when user choose power, it should be min.20% higher than LED load.</p>		

! Notice:

1. The controller must be installed by professionals;
2. When installing the controller, first power off, then connect LED products with controller, after doing the right, then power on it;
3. Good cooling conditions will extend lifetime of controller, please install the product in well-ventilated environment;
4. Ensure input voltage conform to voltage range requirement of product;
5. Wire size used must be sufficiently load connected and make sure wires are securely connected;
6. Before power on, ensure that all the wiring is correct to avoid errors caused by wiring lamps damage;
7. If a failure occurs, don't repair without permission, please contact the manufacturer.