

2.4G RGB LED Controller SC-WC7



Product description:

The controller adopt high performance processor, and 4 controllers of 2.4G can control RGB strip, white/warm white strip, etc. User can choose color, mode and change speed via 2.4G remote controller, and the controller can pause temporarily during dimming; fine and smooth dimming, no flicker; there are synchronous function between single sets controller, which can realize synchronous effect.

Features:

1. Max. control distance of controller can be up to 70m (in open condition);
2. Each remote controller can control multiple controllers, and it has synchronous function.

Technical parameters:

Working voltage: 12/24V DC;	Waterproof grade: IP20;
Max. current: 9A in total;	working temperature range: -20 °C-70°C;
Wireless transmission frequency :2.4G;	Packing dimension: L132*W74*H38mm;
Receiving sensitivity :-96dBm;	Weight (gross weight): about 140 gram;
Transmitting power: 6dBm;	Qty. Of whole carton: 64 pieces/carton
Control distance: 70m	Weight of whole carton: about 9.55kg;
Color mode: 52 colors;	



Model catalogue:

Product model	Applicable LED strip/ luminaires	Change mode	Remote controller	Matching of product and remote controller
SC-WC7-V1	RGB LED strip/luminaires	20 kinds	RF remote controller	Factory default one-to-one match
SC-WC7-V2	RGB LED strip/luminaires	52 kinds	8-key remote controller	(1) Disconnect controller power; (2) Reapply power on controller ; (3) Press any key of controller to be matched in 5 seconds, and match finish.
SC-WC7-V3	White/warm white LED strip/ luminaires	3 kinds	8-key remote controller	
SC-WC7-V4	Single color LED strip/luminaires	1 kinds	4-key remote controller	



SC-WC7-V1



SC-WC7-V2

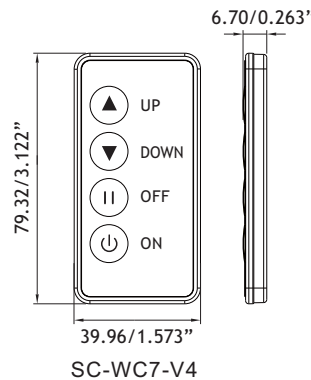
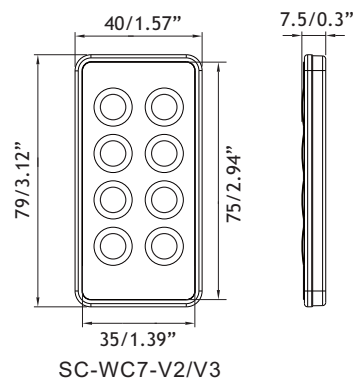
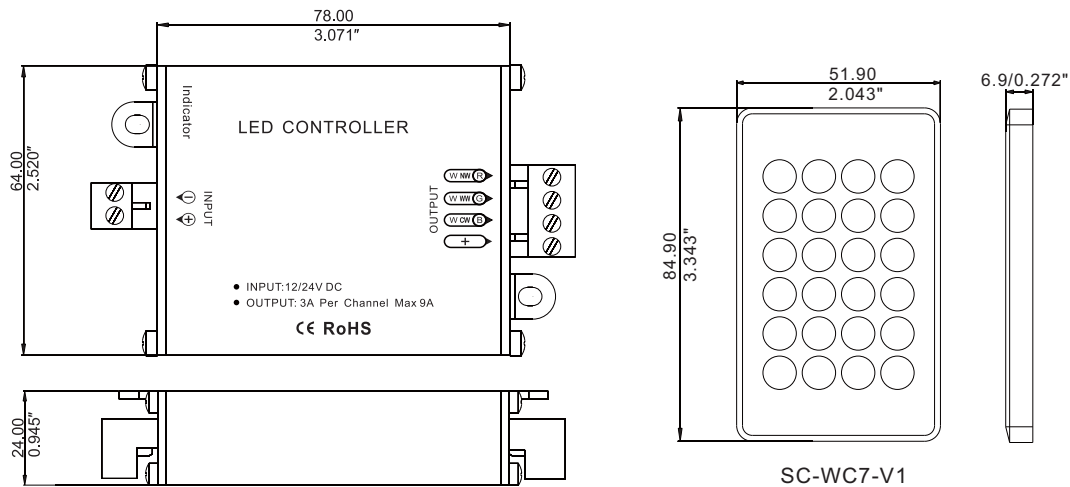


SC-WC7-V3



SC-WC7-V4

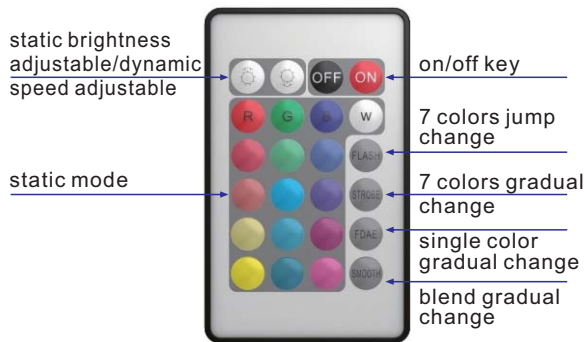
Dimension(unit:mm):





Function description of remote controller:

1. 2.4G RF remote controller key



2. key description of 2.4 G 8 key remote controller

- (1)POWER, on/off
- (2)PAUSE, pause during dynamic mode (invalid in static mode)
- (3)MODE+, mode increase
- (4)MODE-, mode decrease
- (5)SPEED+, speed increase (invalid in static mode)
- (6)SPEED-, speed decrease (invalid in static mode)
- (7)BRT+, brightness increase (invalid in dynamic mode)
- (8)BRT-, brightness decrease (invalid in dynamic mode)

3. key description 2.4G 4keys remote controller

- (1)UP, brightness+
- (2)DOWN, brightness-
- (3)OFF, LED strip is lighting on
- (4)ON, LED strip is lighting off

Color mode:

SC- WC7-V1

- 1.Static red
- 2.Static red orange
- 3.Static dark orange
- 4.Static orange
- 5.Static yellow
- 6.Static green
- 7.Static light green
8. Static dark blue
- 9.Static blue green
- 10.Static cyan
- 11.Static blue
- 12.Static light blue
13. Static purple
- 14.Static dark red
- 15.Static magenta
16. static white
17. 7 colors jump change
- 18.7 colors jump change
- 19.Single color gradual change
20. RGB blend gradual change

SC- WC7-V2

- 1.static red
- 2.static green
- 3.static blue
- 4.static yellow
- 5.static purple
- 6.static cyan
- 7.static white
- 8.red-green jump change
- 9.red-blue jump change
- 10.green-blue jump change
- 11.yellow-cyan jump change
- 12.yellow-purple jump change
- 13.cyan-purple jump change
- 14.red-green-blue jump change
- 15.yellow-purple-cyan jump change
- 16.red- green -blue -yellow -purple -cyan- white -jump change
- 17.red gradual change
- 18.green gradual change
- 19.blue gradual change

SC- WC7-V2

- 20.yellow gradual change
- 21.purple gradual change
- 22.cyan gradual change
- 23.white gradual change
- 24.red-green gradual change
- 25.red-blue gradual change
- 26.green-blue gradual change
- 27.yellow-cyan gradual change
- 28.yellow-purple gradual change
- 29.cyan-purple gradual change
- 30.red-green-blue gradual change
- 31.yellow-purple-cyan gradual change
- 32.red-green-blue-yellow-purple-cyan-white gradual change
- 33.red-green mixed color gradual change
- 34.red-blue mixed color gradual change
- 35.green-blue mixed color gradual change
- 36.red-green-blue mixed color gradual change
- 37.red flicker change



SC- WC7-V2

- 38.green flicker change
- 39.blue flicker change
- 40.yellow flicker change
- 41.purple flicker change
- 42.cyan flicker change
- 43.white flicker change
- 44.red green flicker change
- 45.red blue flicker change

SC- WC7-V2

- 46.green blue flicker change
- 47.yellow cyan flicker change
- 48.yellow purple flicker change
- 49.cyan purple flicker change
- 50.red-green-blue flicker change
- 51.yellow-purple-cyan flicker change
- 52.red-green-blue-yellow-purple-cyan-white flicker change

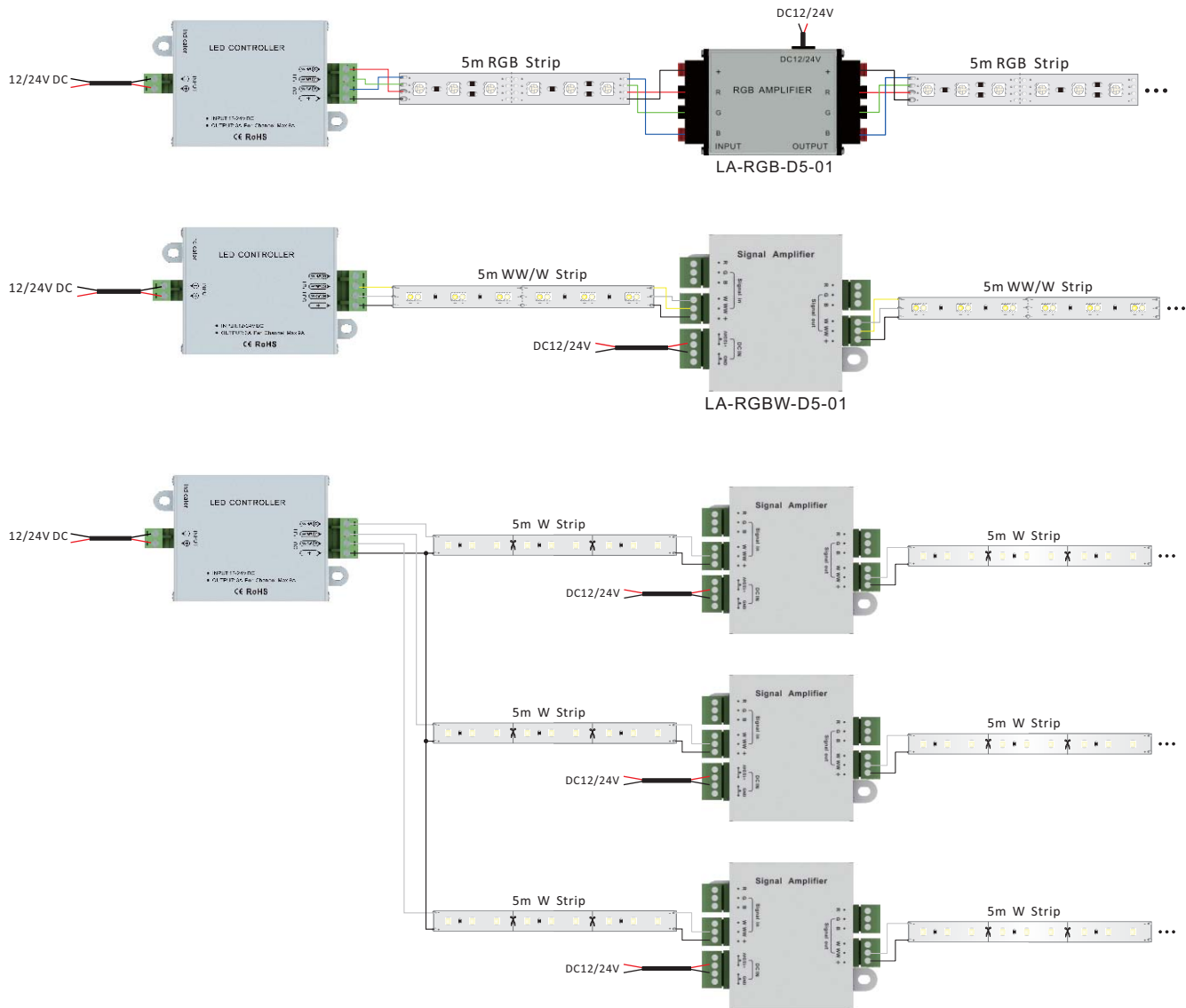
SC- WC7-V3

- 1.static single color
- 2.single color jump change
- 3.single color gradual change

SC- WC7-V4

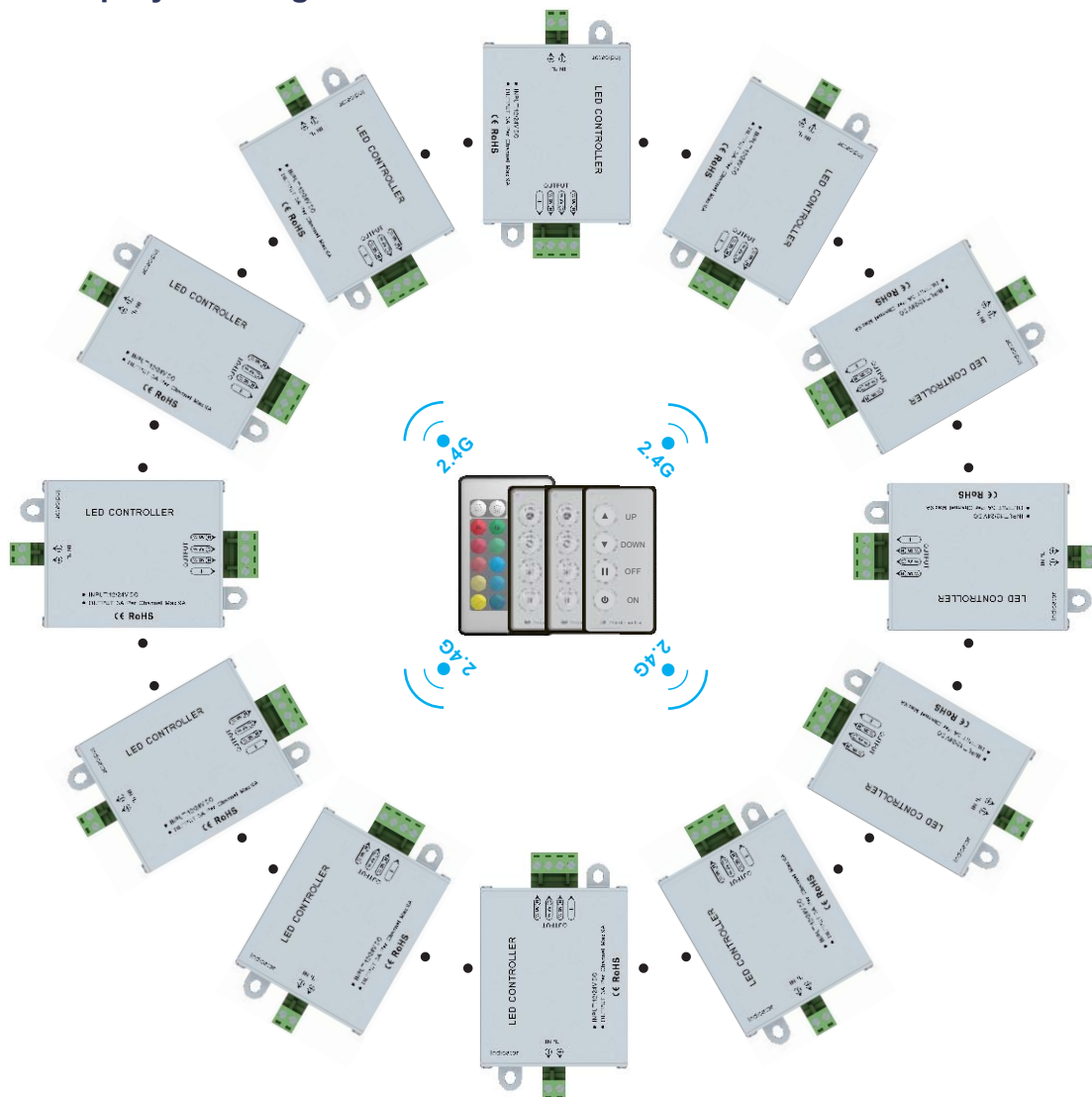
- 1.static single color

Wiring diagram:





Controller display drawing:



! Notice:

- 1.The controller must be installed by professionals;
2. When installing the controller, first power off, then connect LED products with controller, after doing the right, then power on it;
- 3.Good cooling conditions will extend lifetime of controller, please install the product in well-ventilated environment;
- 4.Ensure input voltage conform to voltage range requirement of product;
- 5.Wire size used must be sufficiently load connected and make sure wires are securely connected;
- 6.Before power on, ensure that all the wiring is correct to avoid errors caused by wiring lamps damage;
- 7.If a failure occurs, don't repair without permission, please contact the manufacturer.