

Waterproof LED Controller

LC-0RGB-D5-01C/D/E



Features:

The waterproof controller is used for controlling ordinary RGB LED strip and low-voltage RGB LED lights, and there are built-in 52 kinds change modes. Unique touch technology, humanized operation, convenient to use; it can be controlled via touch panel of controller, and it can also be remotely controlled with wireless remote controller. Automatically adapt to DC12V/24V voltage input, apply to most of the RGB LED products. MCU built-in hardware PWM dimming, fine and smooth dimming, no flicker, total current of RGB 3 -way driver reach 9A.

Function description:

- 1) 52 color modes, such as 7-color static state (can dimming separately), jump change, gradual change (with pause function);
- 2) 255 level dimming;
- 3) 255 level speed regulation;

Technical parameters:

Working voltage: 12/24V DC	Waterproof level: IP65
Output channel: RGB 3 channels output	Controller dimension: L191*W55.5*H46.5mm
Output current: 3A/channel	Packaging dimension: L244*W70*H68mm
Output power: 108W(12V input)/216W(24V input)	Outer carton dimension: 508.5*423*263mm
Maximum remote control distance: 100 m (barrier-free indoor)	



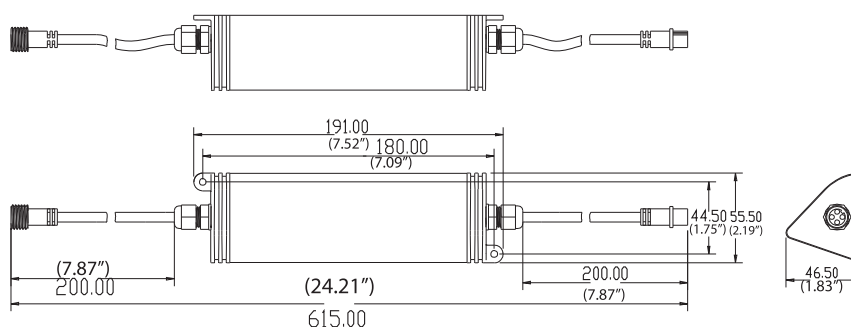
Model catalogue:

Model	Matching remote controller	Weight (gross weight)	Packaging qty.	Weight of whole carton
LC-ORGB-D5-01C	Match 8-key remote controller	260 gram	42 pieces	About 11.92kg
LC-ORGB-D5-01D	Match 6-key sliding ring remote controller	310 gram	42 pieces	About 14.25 kg
LC-ORGB-D5-01E	Match 24-key sliding ring remote controller	277 gram	42 pieces	About 12.64kg

Functional description:

- 1) 52 color modes, such as 7-color static state(can dimming seperately), jump change, gradual change(with pause function);
- 2) 255 level dimming;
- 3) 255 level speed regulation.

Dimension(unit:mm):



Color mode:

- | | |
|-------------------------------|---|
| 1.static red | 15.yellow-purple-cyan jump change |
| 2.static green | 16.red- green -blue -yellow -purple -cyan- white -jump change |
| 3.static blue | 17. red gradual change |
| 4.static yellow | 18. green gradual change |
| 5.static purple | 19.blue gradual change |
| 6.static cyan | 20.yellow gradual change |
| 7.static white | 21.purple gradual change |
| 8.red-green jump change | 22.cyan gradual change |
| 9.red-blue jump change | 23.white gradual change |
| 10.green-blue jump change | 24.red-green gradual change |
| 11.yellow-cyan jump change | 25.red-blue gradual change |
| 12.yellow-purple jump change | 26.green-blue gradual change |
| 13.cyan-purple jump change | |
| 14.red-green-blue jump change | |



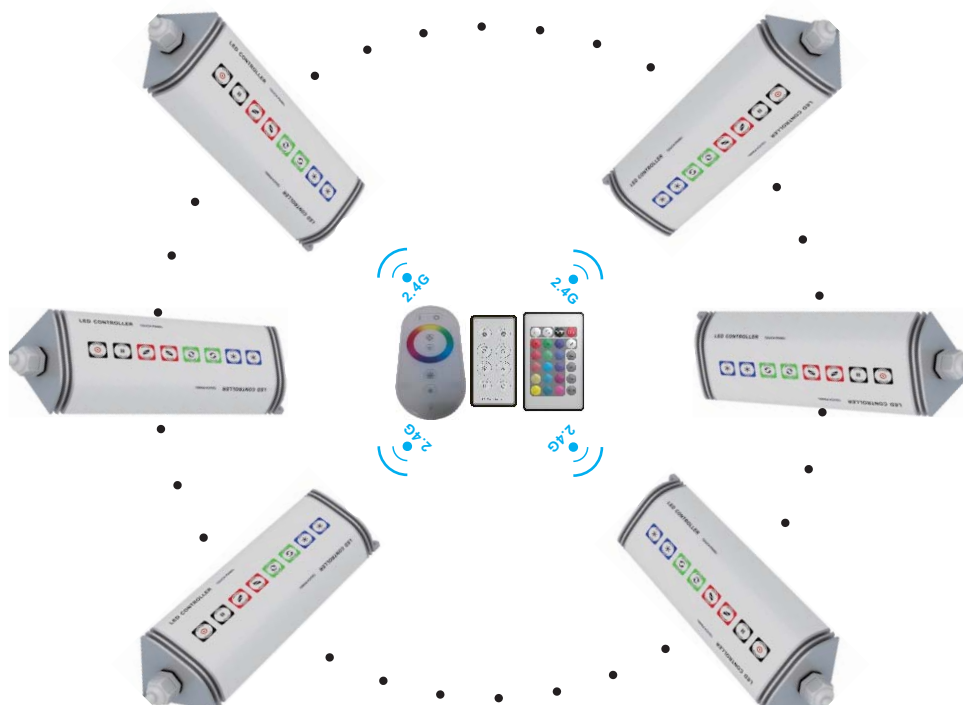
- 27.yellow-cyan gradual change
- 28.yellow-purple gradual change
- 29.cyan-purple gradual change
- 30.red-green-blue gradual change
- 31.yellow-purple-cyan gradual change
- 32.red-green-blue-yellow-purple-cyan-white gradual change
- 33.red-green mixed color gradual change
- 34.red-blue mixed color gradual change
- 35.green-blue mixed color gradual change
- 36.red-green-blue mixed color gradual change
- 37.red flicker change
- 38.green flicker change
- 39.blue flicker change

- 40.yellow flicker change
- 41.purple flicker change
- 42.cyan flicker change
- 43.white flicker change
- 44.red green flicker change
- 45.red blue flicker change
- 46.green blue flicker change
- 47.yellow cyan flicker change
- 48.yellow purple flicker change
- 49.cyan purple flicker change
- 50.red-green-blue flicker change
- 51.yellow-purple-cyan flicker change
- 52.red-green-blue-yellow-purple-cyan-white jump change

Wiring diagram:



Display drawing of controller:



Instruction for use:

1.Controller key description

- (1).POWER-----on/off
- (2).PAUSE-----can stop change temporarily in dynamic mode(invalid in static mode)
- 3.MODE+-----Mode increase
- 4.MODE-----Mode decrease
- 5.SPEED+-----Speed increase (invalid in static mode)
- 6.SPEED-----Speed decrease (invalid in static mode)
- 7.BRT+-----Brightness increase (invalid in dynamic mode)
- 8.BRT-----Brightness decrease(invalid in dynamic mode)

2.Matching steps of remote controller

- (1)Touch on/off key on controller;
- (2)Touch pause key on controller, enter into learning mode;
- (3)Press any key or sliding ring of controller to be matched in 5 seconds, and learn success.

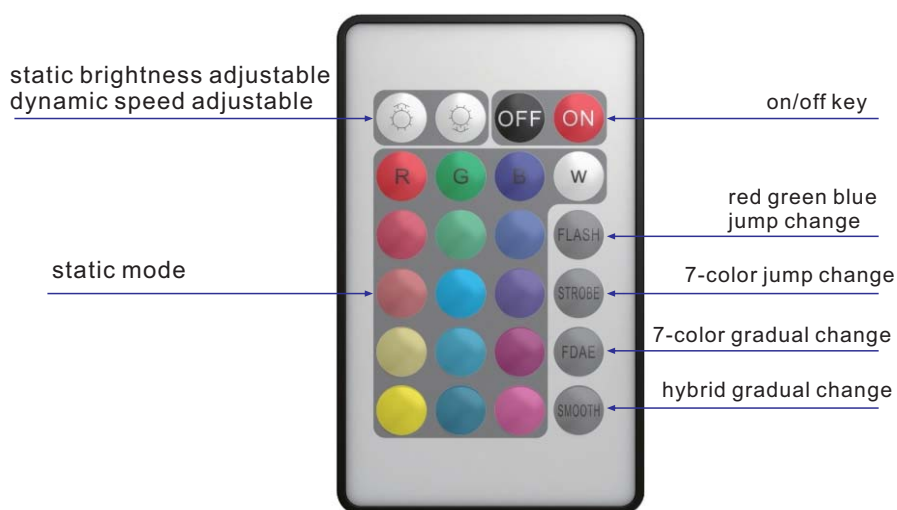
3.Key description of 8-key remote controller (time to equip 8-key remote controller)

- 1)Power supply 2) Pause 3)mode+ 4)mode- 5)speed+ 6) speed- 7)brightness+ 8)brightness-

4. 6-key remote controller key description(time to equip 6-key remote controller)

-  off
  on
  mode+
  mode-
  brightness/speed+
  brightness/speed-

5.Key function description of 24-key remote controller (with 24-key remote controller)





! Notice :

1. Current of each RGB channel can't exceed 3A, to avoid burning out controller;
2. Output driver method of the controller is constant-voltage driver, and driver voltage is consistent with voltage of power supply; please choose appropriate DC power supply to avoid burning out lamps;
3. Please use DC 12/24V power supply for the controller, please don't directly use civil high- voltage power supply.
4. When install controller, disconnect power of controller, and connect LED product with controller, make sure correct connecton then power on controller.