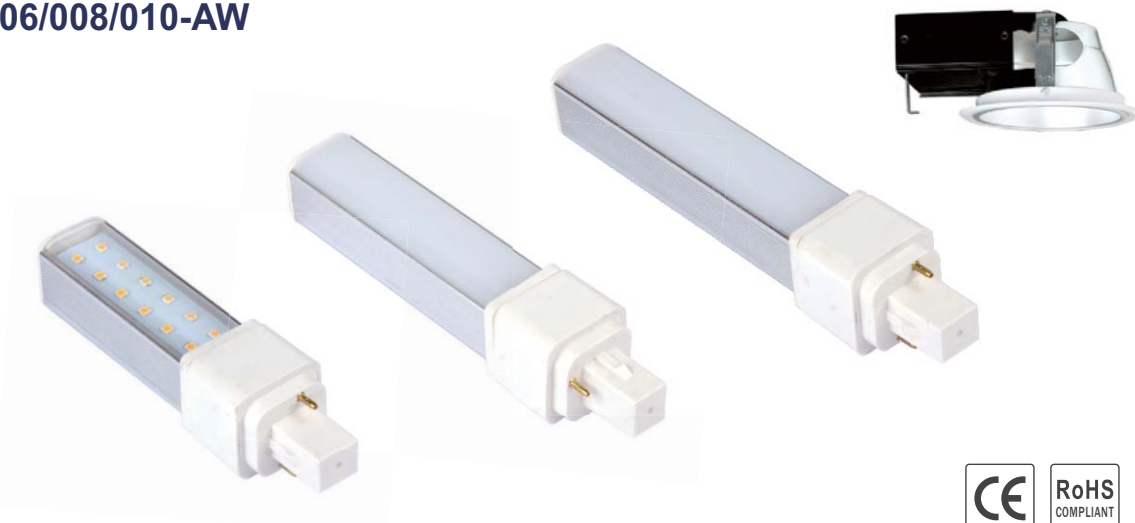




## Retrofit LED PL Lamp

PL-006/008/010-AW

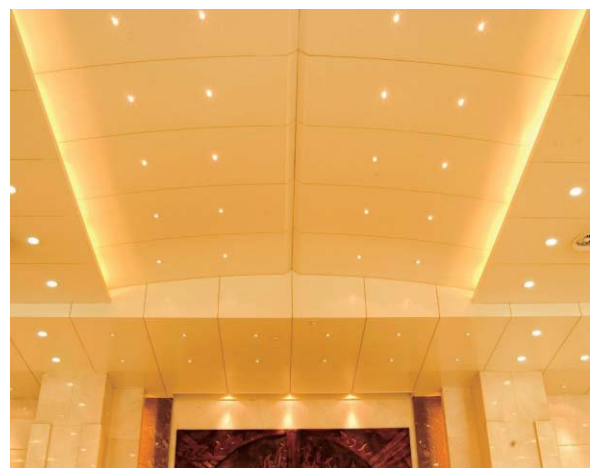


### Features:

The base of this product is 300° rotatable; high light efficiency, low power consumption (white LED is only 1/10 of incandescent light and 1/4 of energy-saving light). It is an ideal retrofit solution for traditional downlight in commercial and office lighting. Special compact design for replacement of PL-C 13W, 18W, 26W CFL which bring us over 60% energy saving and reduce 47kg carbon dioxide per year based on comparison. based on comparison of one 10W LED PL lamp and one 26W CFL working 8hrs/day per year.

### Applications:

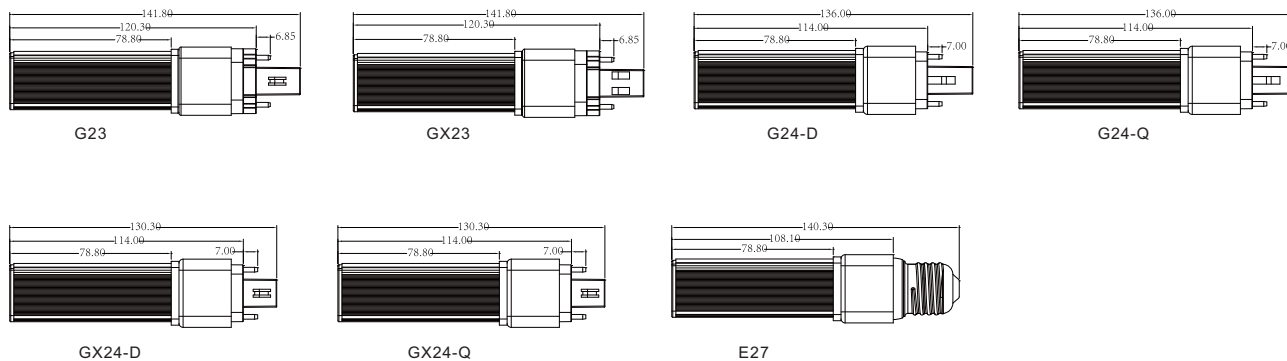
Replacement of traditional light source PL-C for Philipps FHB and FBS series, widely used as commercial lighting like hotel lobby ceiling, shopping mall, airport, metro station, exhibition, museum, corridor, etc. and office lighting.



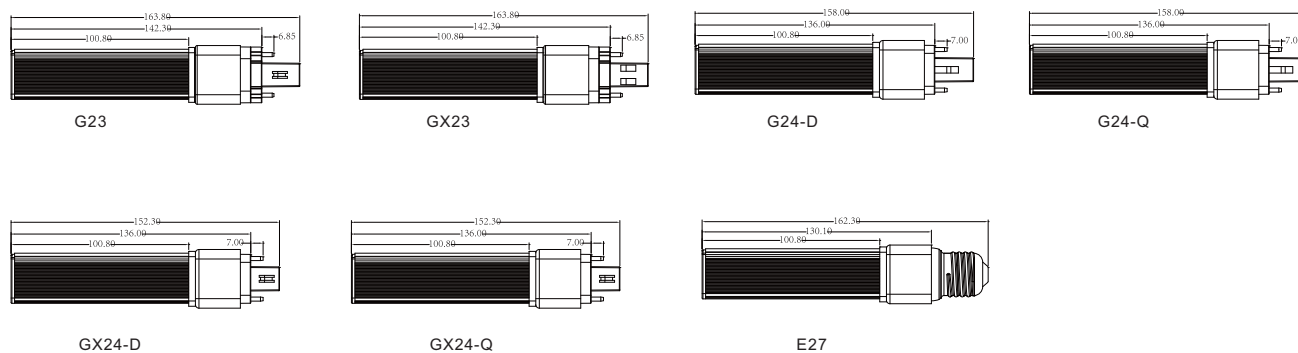


## Dimensions:(Unit: mm)

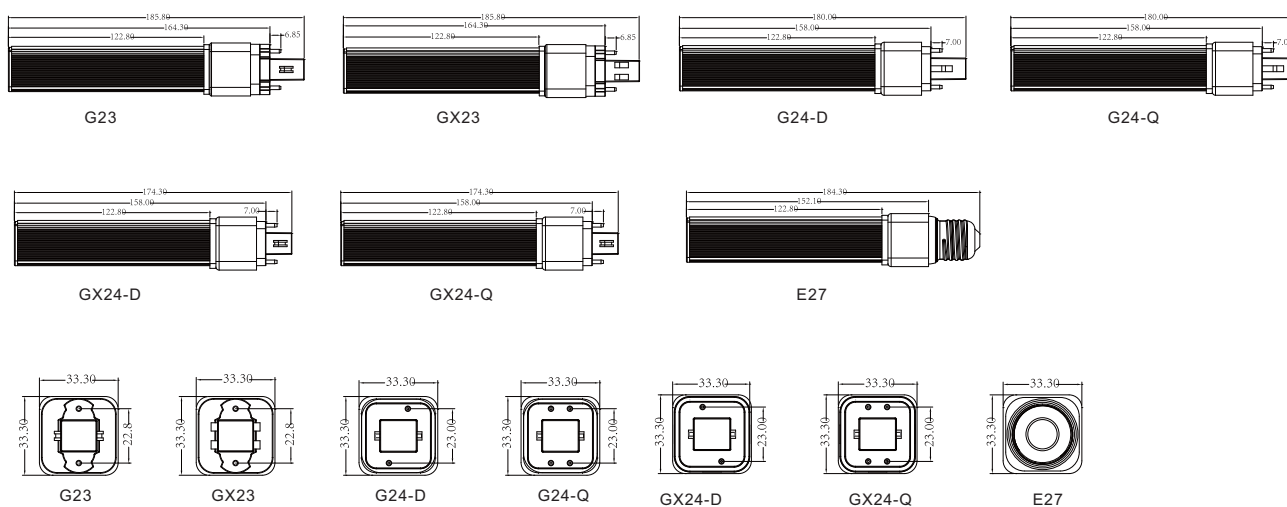
### 6W



### 8W



### 10W





### Specifications:

Type	Model	CCT	LED Type	LED Qty.	Lens Type	Lumen(lm) (±10%)	Beam angle	Current (A)	Power(W) (±5%)	Voltage (V)	PF
Normal Brightness	PL-006-AW-WW-01	3000K	2835 LED	12	Clear	480	120°	0.07	6	100-240V AC	≥0.9
	PL-006-AW-NW-01	4000K				600					
	PL-006-AW-W-01	6500K				450					
	PL-006-AW-WW-02	3000K	2835 LED	12	Opal	425	140°	0.07	6		
	PL-006-AW-NW-02	4000K				530					
	PL-006-AW-W-02	6500K				400					
High Brightness	PL-006-AW-WW-03	3000K	2835 LED	24	Clear	620	120°	0.07	6	100-240V AC	≥0.9
	PL-006-AW-NW-03	4000K				650					
	PL-006-AW-W-03	6500K				670					
	PL-006-AW-WW-04	3000K	2835 LED	24	Opal	550	140°	0.07	6		
	PL-006-AW-NW-04	4000K				580					
	PL-006-AW-W-04	6500K				600					
Normal Brightness	PL-008-AW-WW-01	3000K	2835 LED	16	Clear	640	120°	0.09	8	100-240V AC	≥0.9
	PL-008-AW-NW-01	4000K				660					
	PL-008-AW-W-01	6500K				620					
	PL-008-AW-WW-02	3000K	2835 LED	16	Opal	570	140°	0.09	8		
	PL-008-AW-NW-02	4000K				585					
	PL-008-AW-W-02	6500K				550					
High Brightness	PL-008-AW-WW-03	3000K	2835 LED	32	Clear	830	120°	0.09	8	100-240V AC	≥0.9
	PL-008-AW-NW-03	4000K				880					
	PL-008-AW-W-03	6500K				900					
	PL-008-AW-WW-04	3000K	2835 LED	32	Opal	735	140°	0.09	8		
	PL-008-AW-NW-04	4000K				780					
	PL-008-AW-W-04	6500K				800					
Normal Brightness	PL-010-AW-WW-01	3000K	2835 LED	20	Clear	830	120°	0.12	10	100-240V AC	≥0.9
	PL-010-AW-NW-01	4000K				880					
	PL-010-AW-W-01	6500K				780					
	PL-010-AW-WW-02	3000K	2835 LED	20	Opal	735	140°	0.12	10		
	PL-010-AW-NW-02	4000K				780					
	PL-010-AW-W-02	6500K				690					
High Brightness	PL-010-AW-WW-03	3000K	2835 LED	40	Clear	1100	120°	0.12	10	100-240V AC	≥0.9
	PL-010-AW-NW-03	4000K				1180					
	PL-010-AW-W-03	6500K				1190					
	PL-010-AW-WW-04	3000K	2835 LED	40	Opal	975	140°	0.12	10		
	PL-010-AW-NW-04	4000K				1050					
	PL-010-AW-W-04	6500K				1055					



### **Advantages compared to traditional light:**

1. Energy-saving. With same brightness, this LED light only cost 1 KWH in 1000 hours, but incandescent light cost 1 KWH in 17 hours and energy-saving light cost 1 KWH in 100 hours.
2. Long life span. Theoretical life span is over 100,000 hours compared to over 1,000 hours of incandescent light.
3. Health light. No UV and infrared, without radiation or pollution. Incandescent and energy-saving light have UV and infrared ray.
4. Environment friendly. Mercury and lead free. Good for recycle. No EMI. and energy-saving light has EMI and mercury.
5. High efficiency. ultra low power consumption ( 0.5W for 1 piece of LED ). Luminous efficiency is more than 120lm/w. 60%-80% energy-saving compared with traditional light. Easy installation, durable and reliable.

### **Installation information:**

If there is a ballast connected, dismantle ballast before install the LED light, otherwise the ballast will make resonance high voltage which destroy the light.

Note: It is 100% that PL-C downlight fixture has ballast inside.

### **Package Information:**

6W inner box dimension: 36\*36\*142MM

Product net weight: 0.1KG

Product gross weight: 0.11KG

Carton box dimension (60PCS inside) : 305\*245\*230MM

Carton box gross weight: 7KG

8W inner box dimension: 36\*36\*164MM

Product net weight: 0.11KG

Product gross weight: 0.13KG

Carton box dimension (60PCS inside) : 350\*245\*230MM

Carton box gross weight: 8.2KG

10W inner box dimension: 36\*36\*184MM

Product net weight: 0.13KG

Product gross weight: 0.15KG

Carton box dimension (60PCS inside) : 400\*245\*230MM

Carton box gross weight: 9.5KG

### **Warnings:**

1. Please read the specification first, then make sure the environment meet the requirements in the specification before using.
2. Please use adapted power supply before using.
3. Make sure the switch is off before connect the light to the power supply in case of electric shock.
4. Operation against rules might destroy the light or even harm to your safety.
5. Non-waterproof light, only use indoors and keep the environment dry.
6. Dangerous high voltage, non-professionals is not allowed to maintain the product.