

# IP68 Digital Neon Flex

## SC-ESID-943-12/24V

### Features:







1. Dot-free illumination
2. Dimension:12X22mm
3. Indoor and outdoor application
4. Side View: Bend direction horizontally
5. TPU+PVC material, UV-resistant
6. IP68
7. 5050 LED
8. 14.4W/M
9. 12/24V DC








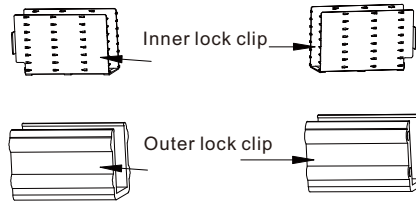
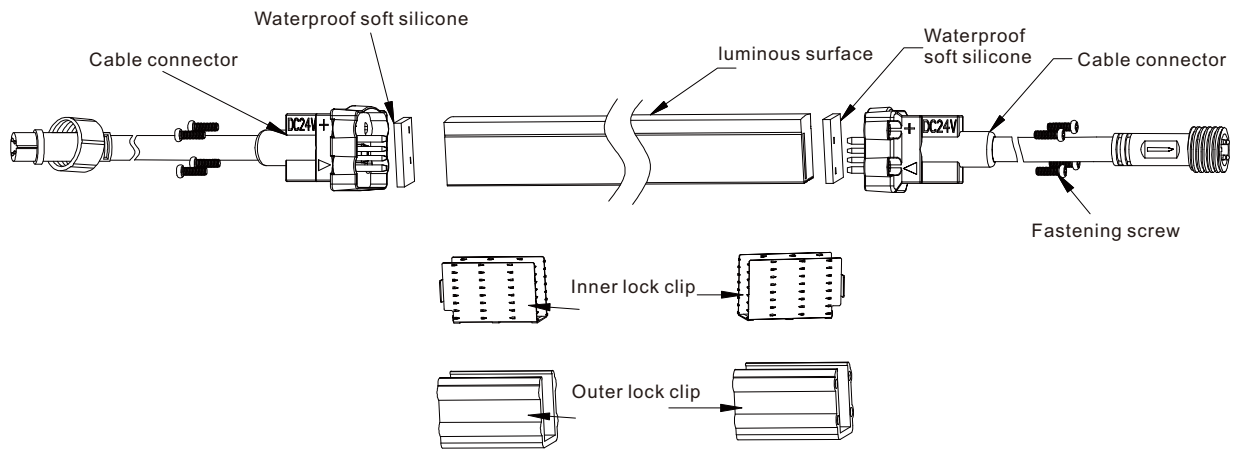
### Technical parameters :

Model	Colour	Luminous Flux (lm/m)	Max. Length (m)	Min.Length (mm)	Width (mm)	DC Voltage (V)	LED Qty. (pcs/m)	Rated Watt (w/m)
SC-ESID-943-12V	RGB	160	50	50	12	DC12	60	14.4
SC-ESID-943-24V	RGB	160	100	100	12	Dc24	60	14.4

### Accessories:

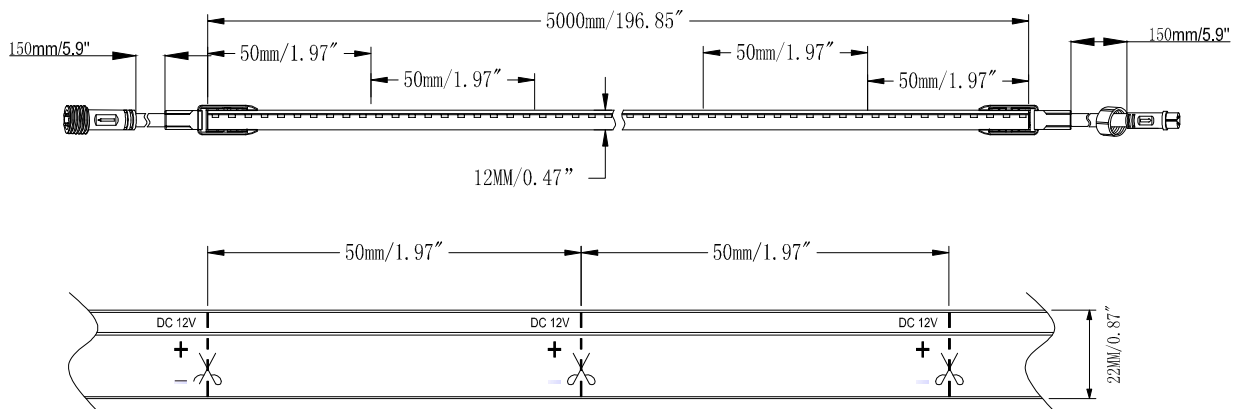
Name	Description	Quantity
Inner lock clip		1pcs/reel
Outer lock clip		1pcs/reel
Waterproof silicon tape		1pcs/reel
Mounting clips		20pcs/reel
End cap		1pcs/reel
Signal connector	 Optional accessory	

Name	Description	Quantity
power connector		1pcs/reel
cable connector		2pcs/reel
cable connector		1pcs/reel
Screws		4pcs/reel
Screwdriver		1pcs/reel

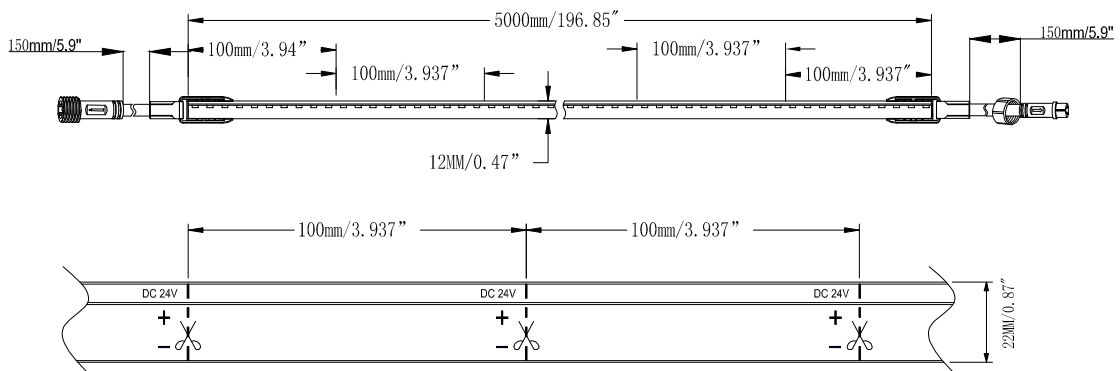


## Dimension & Circuit Drawings:

**SC-ESID-943-12V**



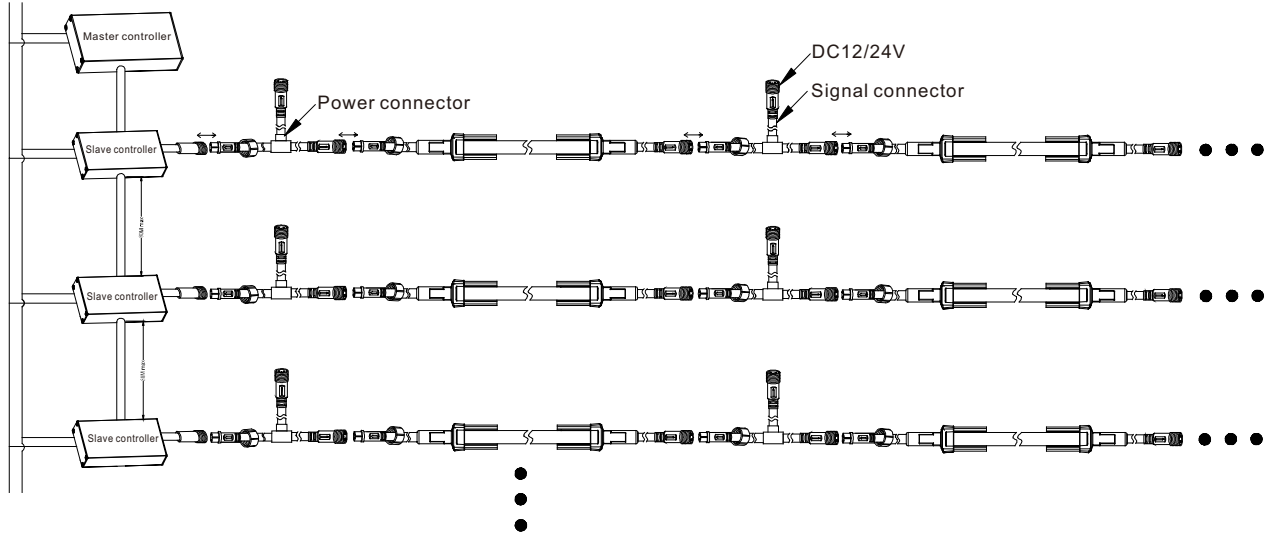
**SC-ESID-943-24V**



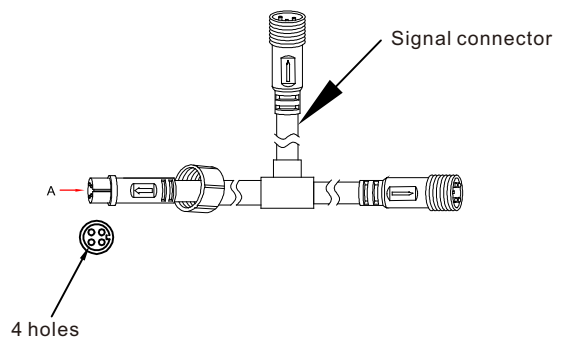
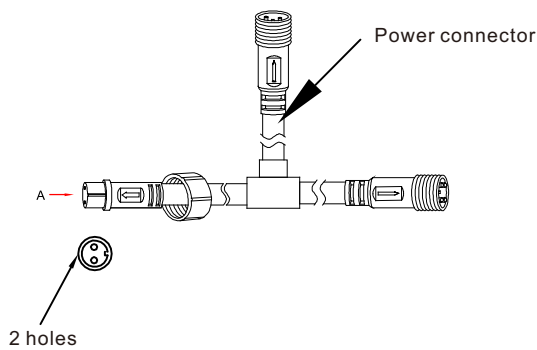
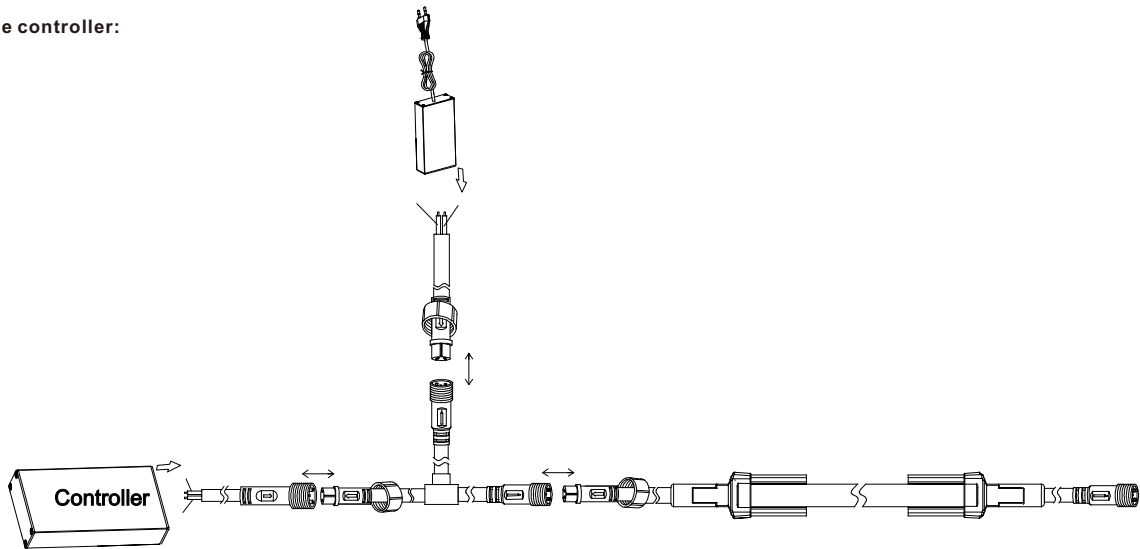


## Connecting&Installation Diagram:

Master and Slave controller:

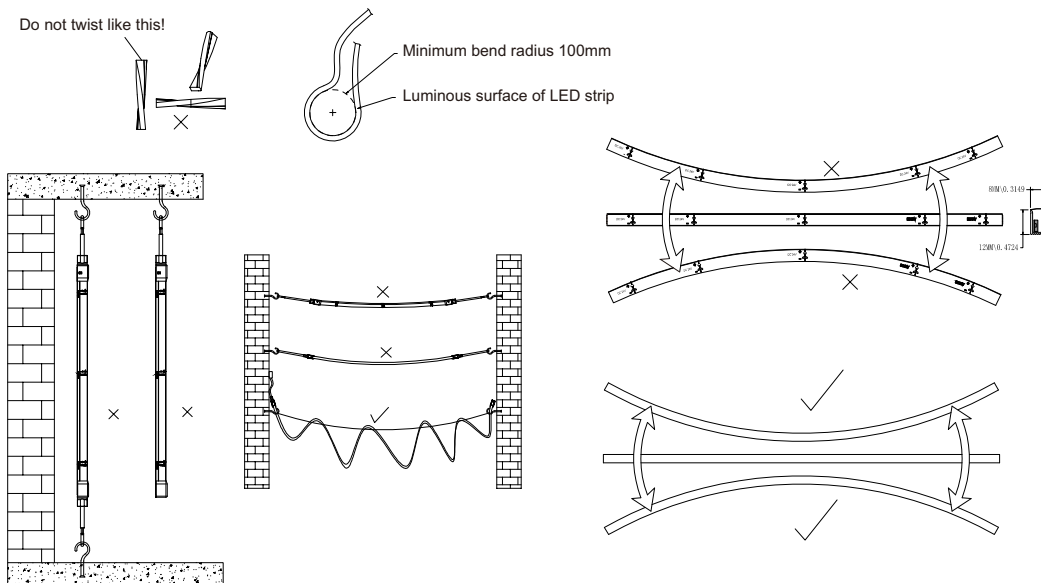
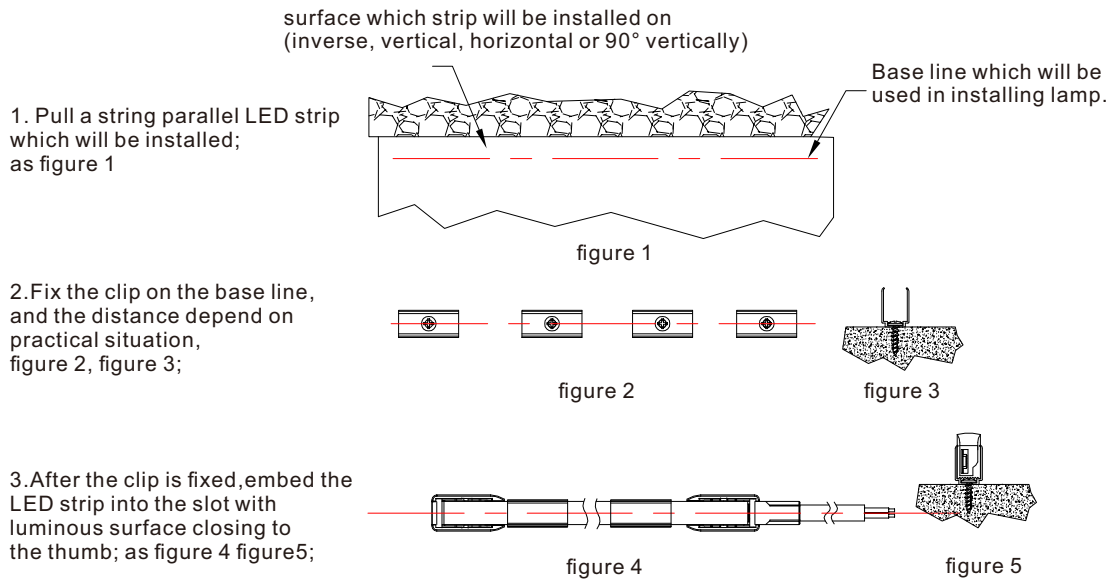


Single controller:

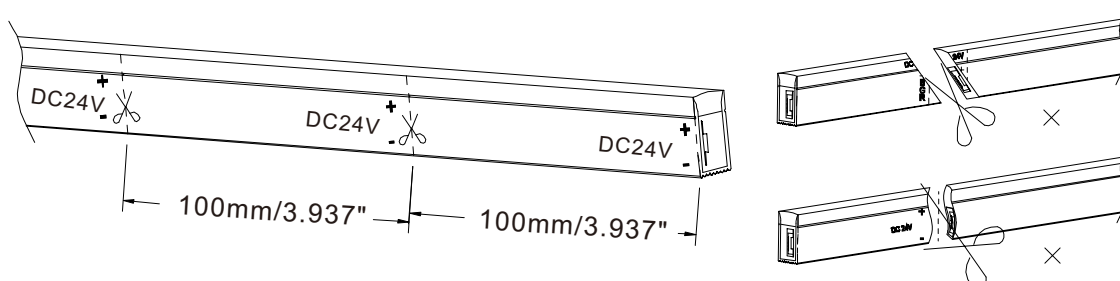


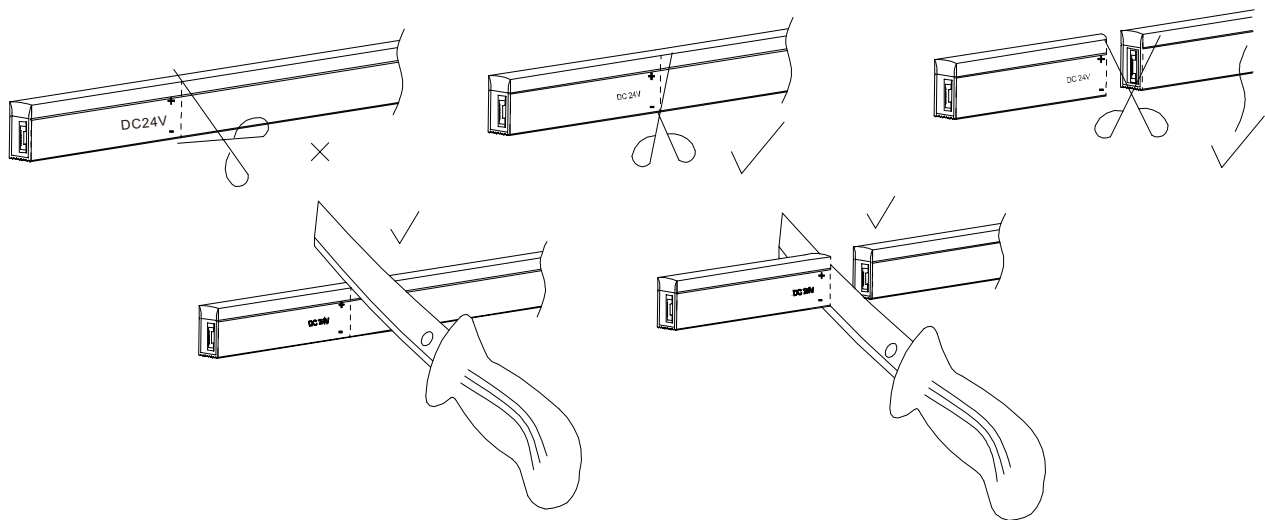


## Installation installation:



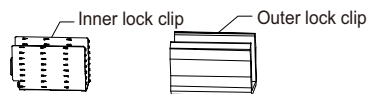
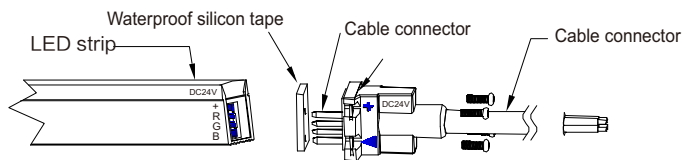
## Cutting and assembly instruction:





### Installation instruction of cable connector:

1st: please prepare these accessories first, screw, end cap, Waterproof silicon tape, the lighting strip, outer lock clip, inner lock clip



separate



figure 1

2nd: open the inner lock clip like this :as shown in picture 1



figure 2

3rd: put the strip in the inner lock clip, as pictures 2 and 3



figure 3

4th: align the outer and inner lock clips and push up together, as shown pictures 4 and 5.

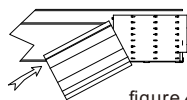


figure 4



figure 5

5th: put the waterproof silicon tape into cable connector, as shown in pictures 6 and 7.

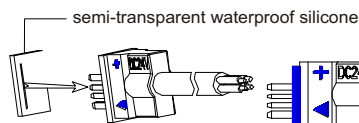


figure 6

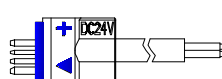


figure 7

6th: use the insert tool to back of PCB, make space for cable connector. As shown in pictures 8 and 9.

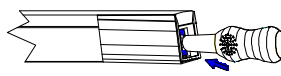
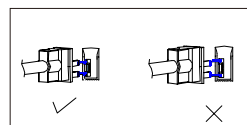


figure 8



figure 9





7th: install cable connector, as shown in pictures 10 and 11.

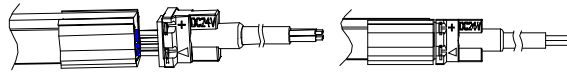


figure 10

figure 11

8th: use screws to tight the cable connector, as shown in pictures 12, 13 and 14.

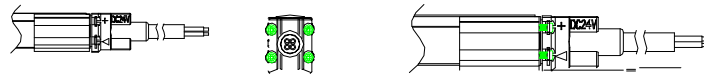


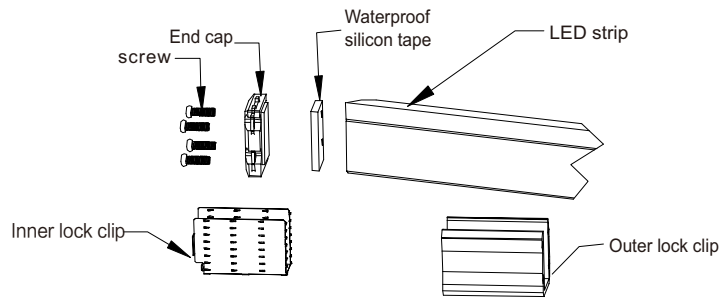
figure 12

figure 13

figure 14

### The installation Instructions of end cap

1st: please prepare these accessories: the lighting strip, waterproof silicon tape, end cap, inner lock clip and outer lock clip.



2nd: open the inner lock clip like this :as shown in picture 1

separate



figure 1

3rd: put the strip in the inner lock clip, as pictures 2 and 3

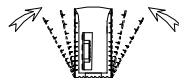


figure 2

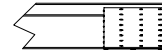


figure 3

4th: align the outer and inner lock clips and push up together, as shown pictures 4 and 5.

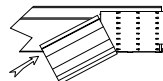


figure 4

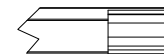
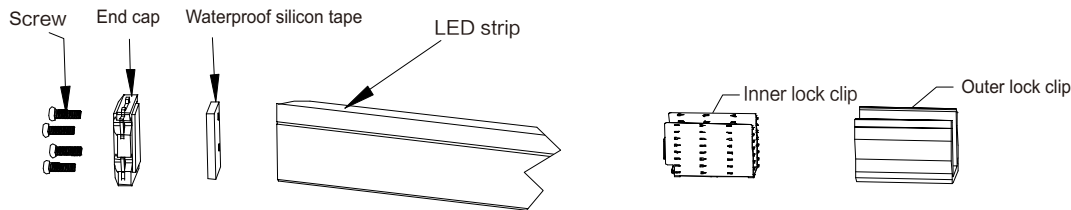


figure 5

### The installation Instructions of end cap



1st: please prepare these accessories: the lighting strip, waterproof silicon tape, end cap, inner lock clip and outer lock clip.

2nd: open the inner lock clip like this :as shown in picture 1

separate



figure 1

3rd: put the strip in the inner lock clip, as pictures 2 and 3



figure 2

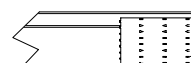


figure 3



4th: align the outer and inner lock clips and push up together, as shown pictures 4 and 5.



figure 4



figure 5

5th: put the waterproof silicon tape on the end cap, as shown pictures 6 and 7.



figure 6



figure 7

6th and 7th: use screws to tight waterproof silicon tape and end cap to end of strip to make sure IP68. as shown pictures 8,9,10 and 11.

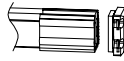


figure 8



figure 9

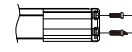
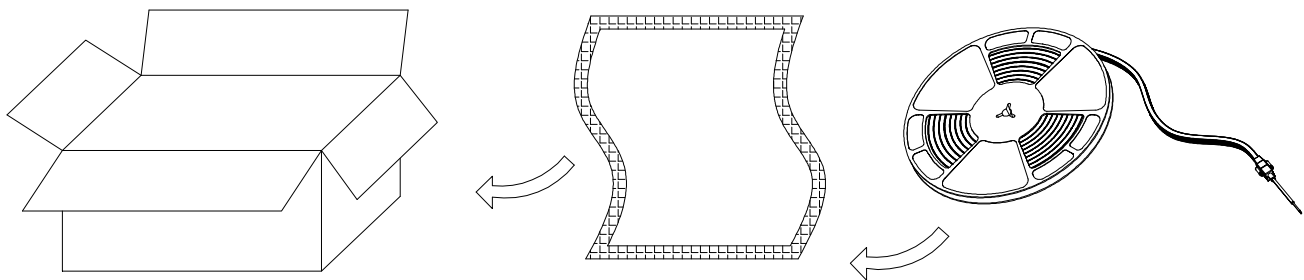


figure 10



figure 11

## Packing instruction:



## Installation requirement:

1. The LED strip should be installed on the surface of flame retardant, and thickness of wood or material exceed 2mm;
2. Please read the specification first, to make sure the service environment matches the condition in the specification before using.
3. Please confirm input voltage and power off;
4. Serial connection shouldn't exceed 10m;
5. Cut the strip according to the logo point.
6. It can only be used in neutral environment. (PH6-8)