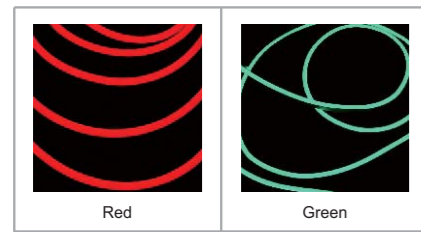


IP68 Neon Flex

SC-ESID-XX-24V

LED neon flexible strip with high flexibility, anti-UV, IP 68, high anti-corrosion grade , suitable for indoor and outdoor use.



Features

- 1.High flexibility, the minimum bend radius 100mm;
- 2.Soft light effect, uniform color, light source can't be seen;
- 3.Color include various single colors and RGB, 20m/reel for single color, 15m/reel for RGB;
4. 14.4 W/M, 24V DC;
- 5.Each 100mm can be cut, and can be connected via connectors;
- 6.IP68,PVC+TPU material, anti-UV;
- 7.TUV, CE,RoHS.



Application

1 Outdoor:architecture contour , advertising , plaza floor, stair handrail, swimming pool,grass courtyard and other places.



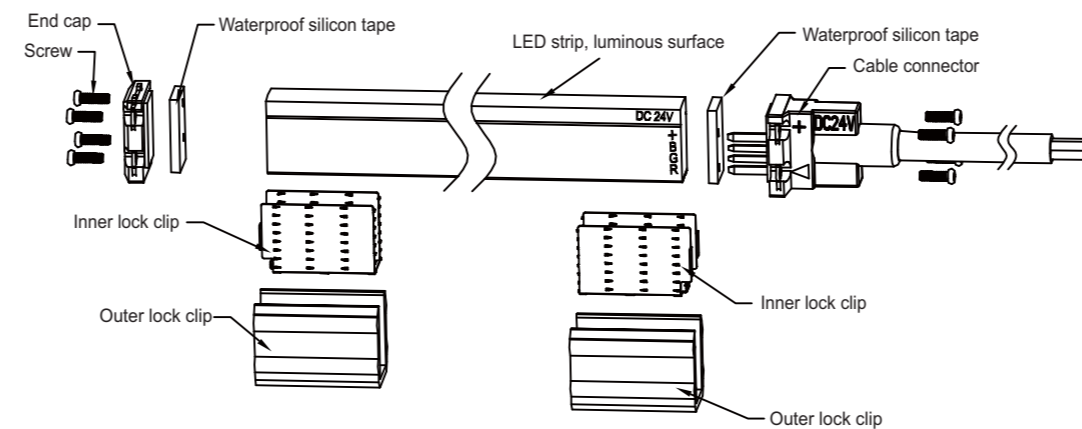
2 Indoor: bar, dancing hall, bedroom,living room, wine cabinet, floor and other places.

Technical Parameters

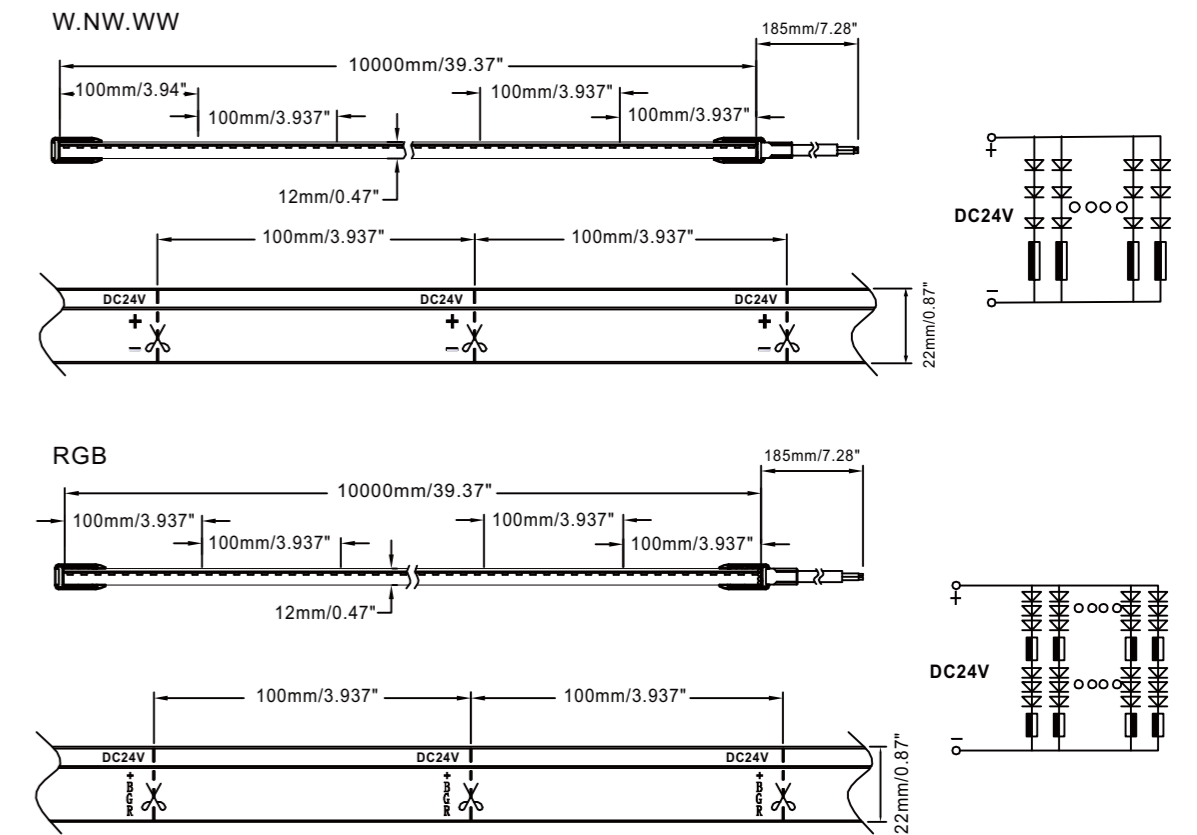
Model Number	Color	Width (mm)	Height (mm)	LED Q' ty/m	LED Type	Light Output (lumen/m)	Voltage (V DC)	Power (W/m)	Connection Length(m)	IP
SC-ESID-W-24	White	12	22	60pcs	5050 SMD	410	24	14.4	20	68
SC-ESID-WW-24	Warm White	12	22	60pcs	5050 SMD	340	24	14.4	20	68
SC-ESID-NW-24	Natural White	12	22	60pcs	5050 SMD	380	24	14.4	20	68
SC-ESID-R-24	Red	12	22	60pcs	5050 SMD	70	24	14.4	20	68
SC-ESID-G-24	Green	12	22	60pcs	5050 SMD	260	24	14.4	20	68
SC-ESID-B-24	Blue	12	22	60pcs	5050 SMD	50	24	14.4	20	68
SC-ESID-Y-24	Yellow	12	22	60pcs	5050 SMD	65	24	14.4	20	68
SC-ESID-RGB-24	RGB	12	22	60pcs	5050 SMD	/	24	14.4	15	68

Accessories

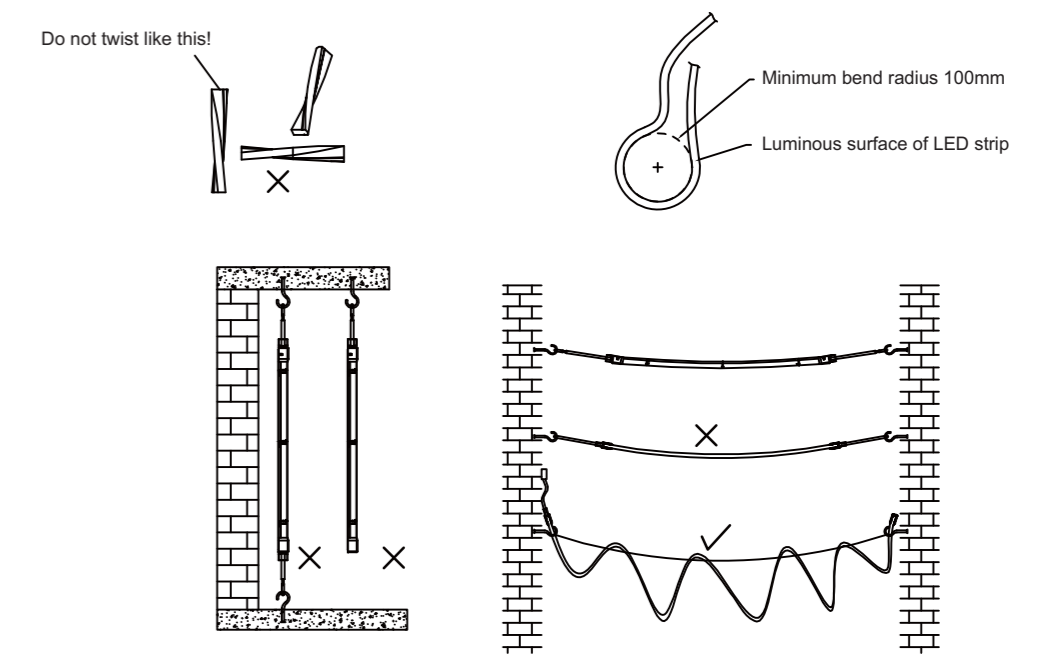
Name	Description	Quantity	Name	Description	Quantity
Cable connector		1pcs/reel	Outer lock clip		2pcs/reel
End caps		1pcs/reel	Insert tool		1pcs/reel
Waterproof silicon tape		2pcs/reel	Screws		8pcs/reel
Mounting clips		80pcs/reel(single color); 60pcs/reel (RGB)	Screwdriver		1pcs/reel
Inner lock clip		2pcs/reel			

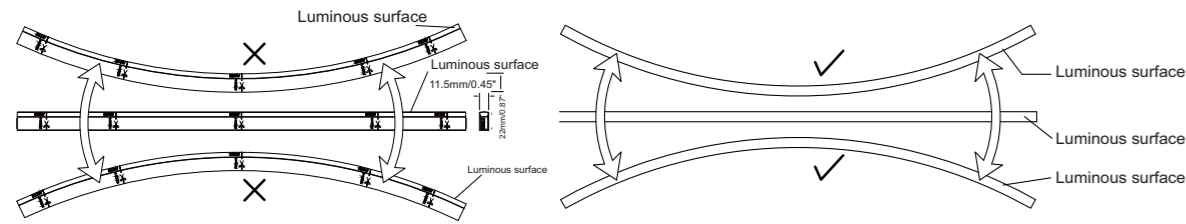


Dimension&Circuit Drawings



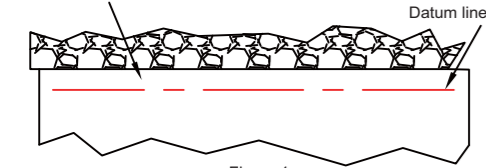
Installation instruction



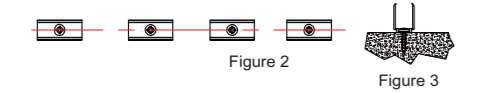


Installation Instructions

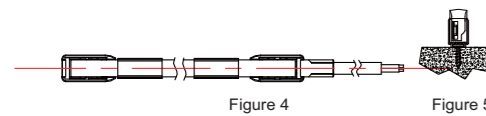
Surface of inversely installation, vertical installation, horizontal installation or vertical 90° installation.



1st: pull a line to parallel to the ground in the place where you are ready to install the led strips. As shown in picture 1

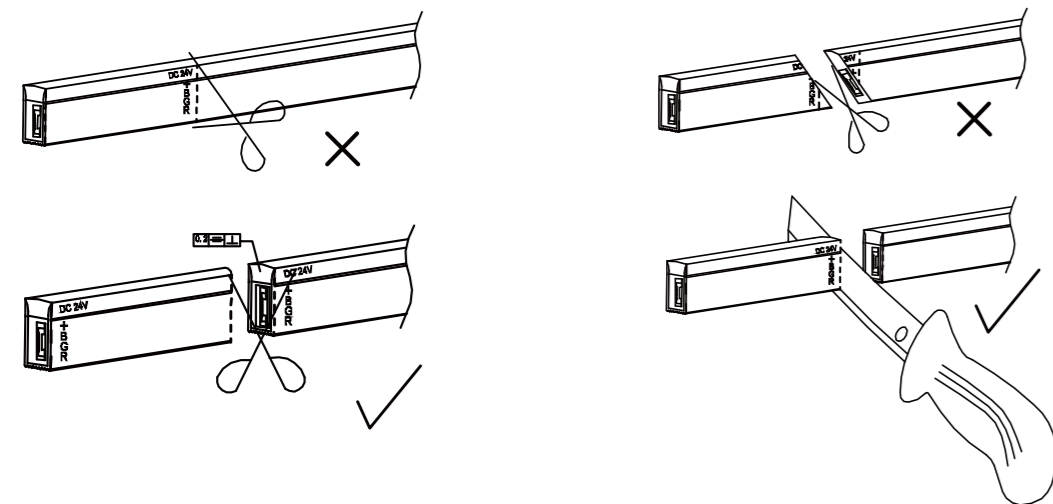


2nd: fix the clips in the datum line, and the distance between two clips depends on the actual situation, as shown in picture 2 and picture 3

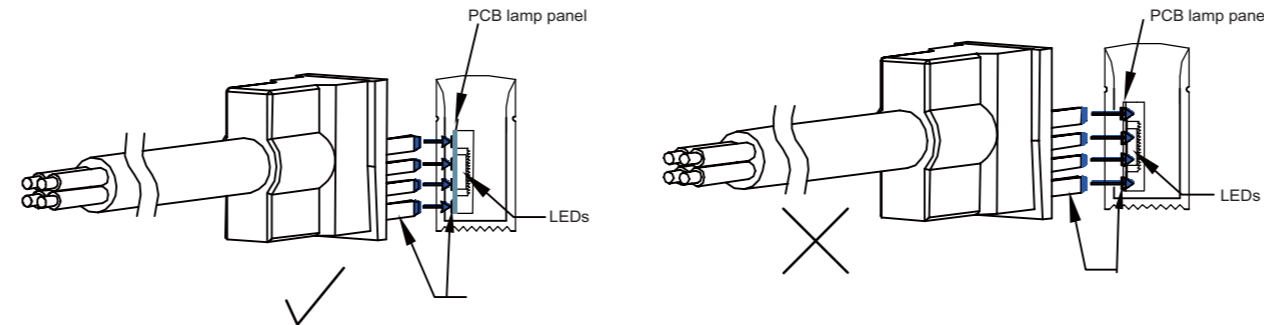
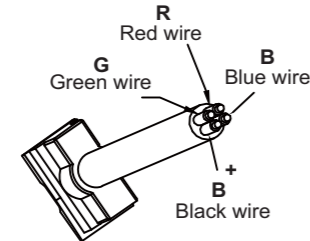
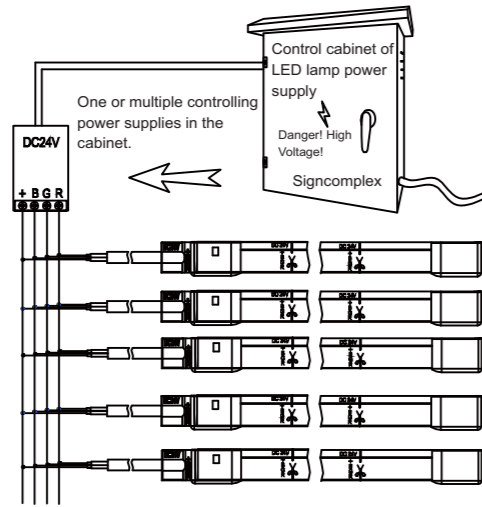


3rd: after the clips were fixed, hold the lighting side of strip tightly and then embed the back of strip in the clips slot, as shown in picture 4 and picture 5

Cutting and assembly instruction

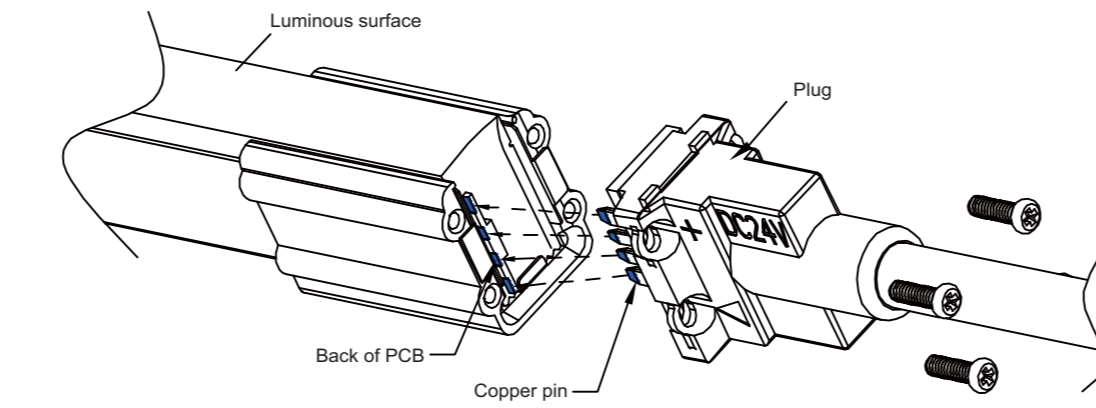


4th: connect power supply lines: as shown in the picture, the power supply box must be waterproof, moisture-proof and dust-proof.

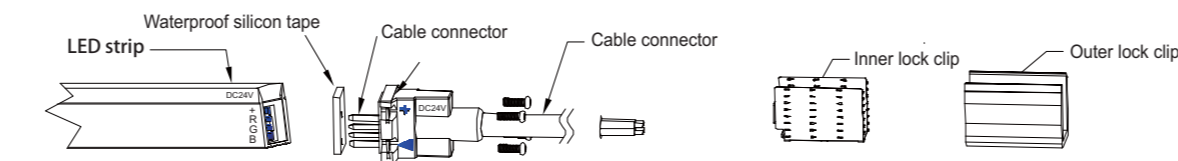


The copper pin should be inserted on the back of PCB.

Inserting copper pin in front of PCB is wrong.



The installation Instructions of cable connector



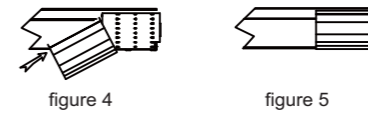
1st: please prepare these accessories first, screw, end cap, Waterproof silicon tape, the lighting strip, outer lock clip, inner lock clip

2nd: open the inner lock clip like this :as shown in picture 1

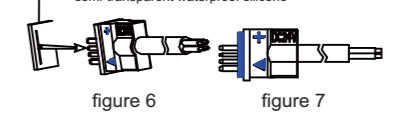


3rd: put the strip in the inner lock clip, as pictures 2 and 3

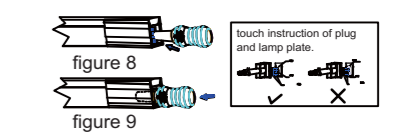
4th:align the outer and inner lock clips and push up together, as shown pictures 4 and 5.



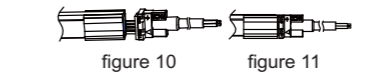
5th:put the waterproof silicon tape into cable connector, as shown in pictures 6 and 7.



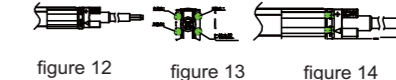
6th: use the insert tool to back of PCB, make space for cable connector. As shown in pictures 8 and 9.



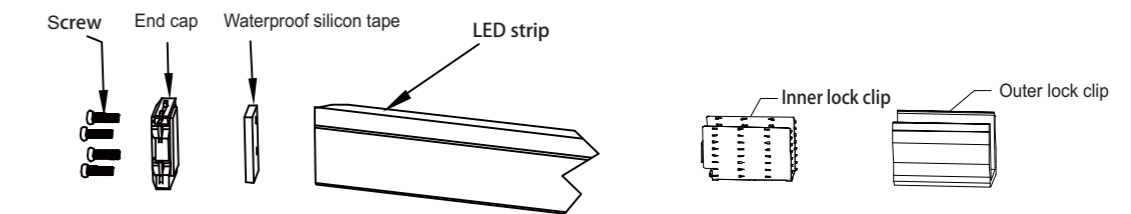
7th: install cable connector, as shown in pictures 10 and 11.



8th: use screws to tight the cable connector, as shown in pictures 12, 13 and 14.



The installation Instructions of end cap

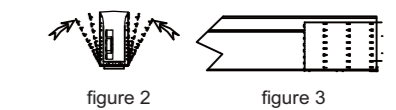


1st: please prepare these accessories: the lighting strip, waterproof silicon tape, end cap, inner lock clip and outer lock clip.

2nd: open the inner lock clip like this :as shown in picture 1



3rd: put the strip in the inner lock clip, as pictures 2 and 3



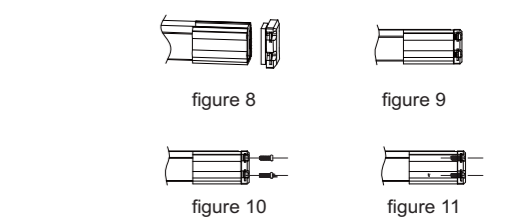
4th: align the outer and inner lock clips and push up together, as shown pictures 4 and 5.

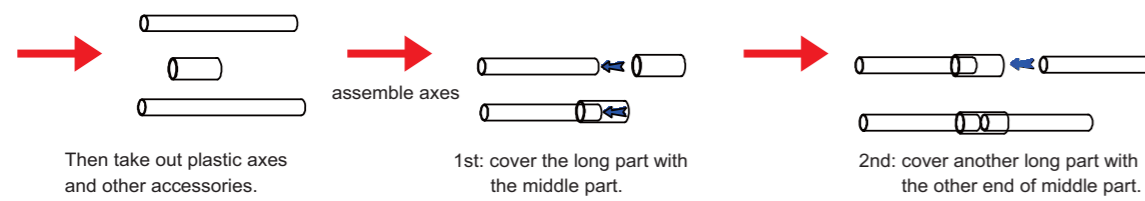
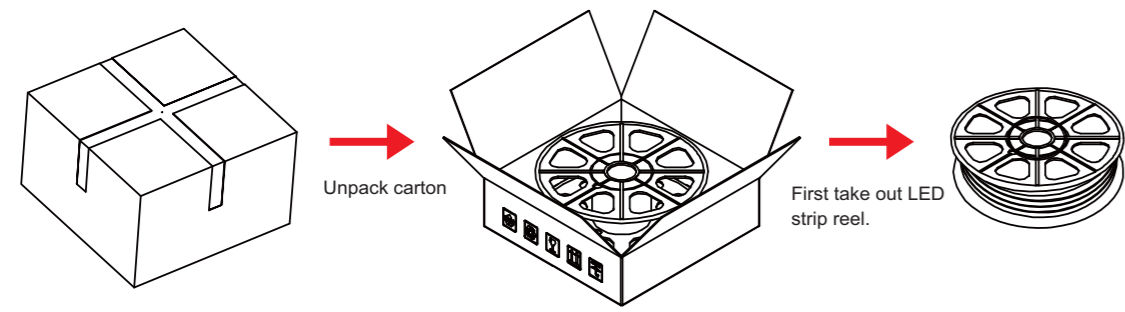


5th: put the waterproof silicon tape on the end cap, as shown pictures 6 and 7.

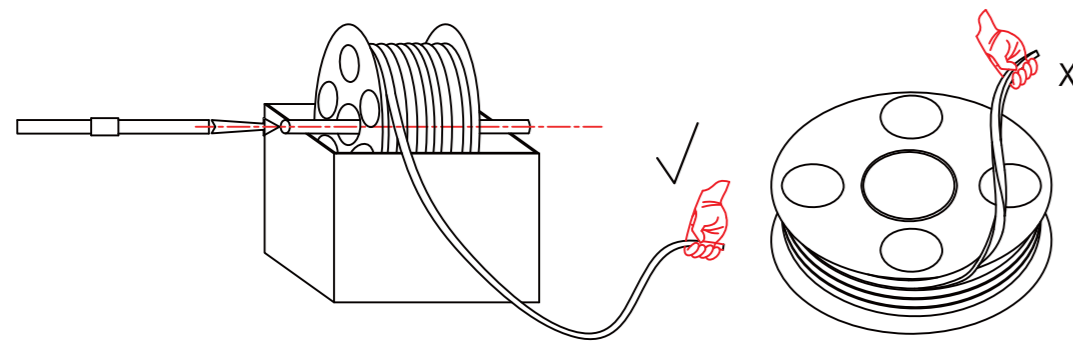


6th and 7th:use screws to tight waterproof silicon tape and end cap to end of strip to make sure IP68. as shown pictures 8,9,10 and 11.





How to Pull



Safety Information

1. Install the LED strip on flame-retardant surface, thickness of wood and material index exceed 2mm;
2. Please read the specification first, to make sure the service environment matches the condition in the specification before using;
3. Please confirm input voltage, disconnect power supply before use;
4. Take out LED strip carefully (as attached figure);
5. Cut LED strip according to Logo on the LED strip;
7. It can only be used neutral environments. (PH6-8).