

IP67 Mini Side View Neon Flex

SC-ESID-XX-M-24V

Features:









1. IP67
2. 3014 LED
3. 12.5W/M
4. 24V DC
5. CRI >80
6. Dot-free illumination
7. Side View: Bend direction horizontally
8. Indoor and outdoor application
9. Dimension:8×12mm
10. First-class PVC material, UV-resistant

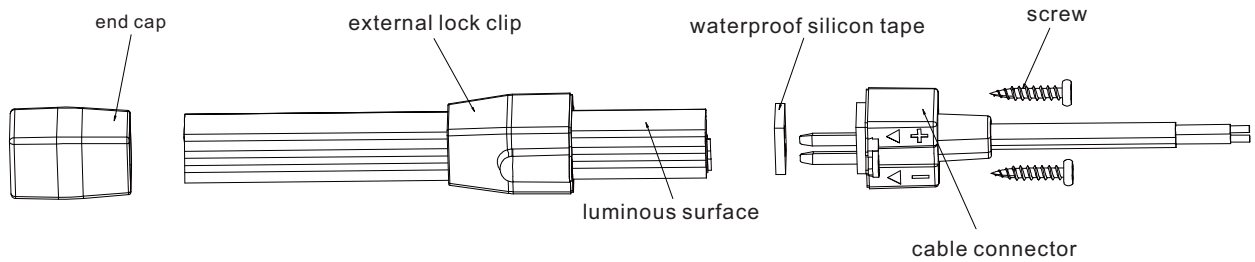


Technical parameters :

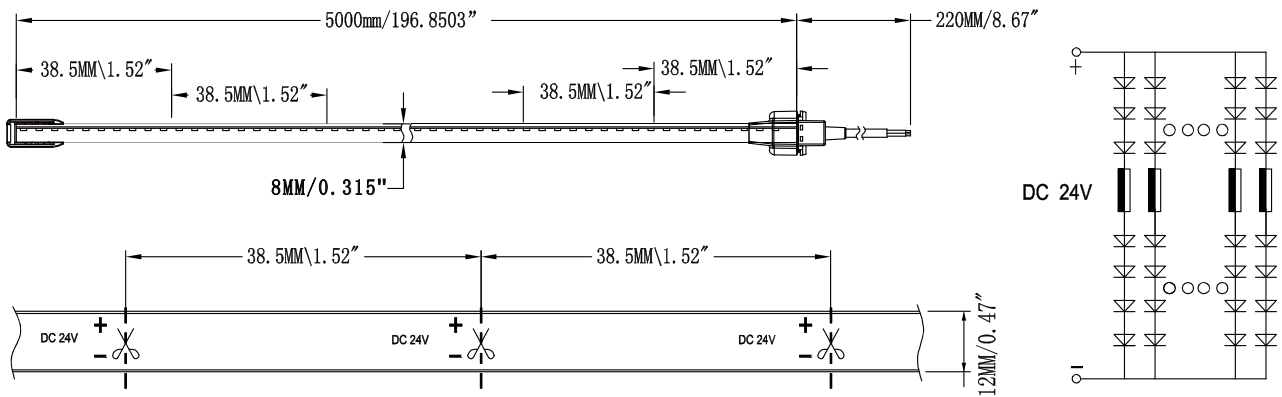
Model	CCT	Luminous Flux (lm/m)	Max. Length (m)	Min.Length (mm)	DC Voltage (V)	LED Qty. (pcs/m)	Rated Watt (w/m)	Rated Current (A/M)
SC-ESID-W-M-24V	5500-7000K	510	10	38.5	DC24	182	12.5	0.52
SC-ESID-NW-M-24V	4000-4500K	460						
SC-ESID-WW-M-24V	2900-3200K	400						
SC-ESID-SWW-M-24V	2300-2700K	360						

Accessories:

Name	Description	Quantity	Name	Description	Quantity
External lock clip		2pcs/reel	Cable connector		1pcs/reel
End cap		1pcs/reel	Inner lock clip		1pcs/reel
Waterproof silicon tape		2pcs/reel	Screws		2pcs/reel
Mounting clips		20pcs/reel	Screwdriver		1pcs/reel



Dimension & Circuit Drawings:

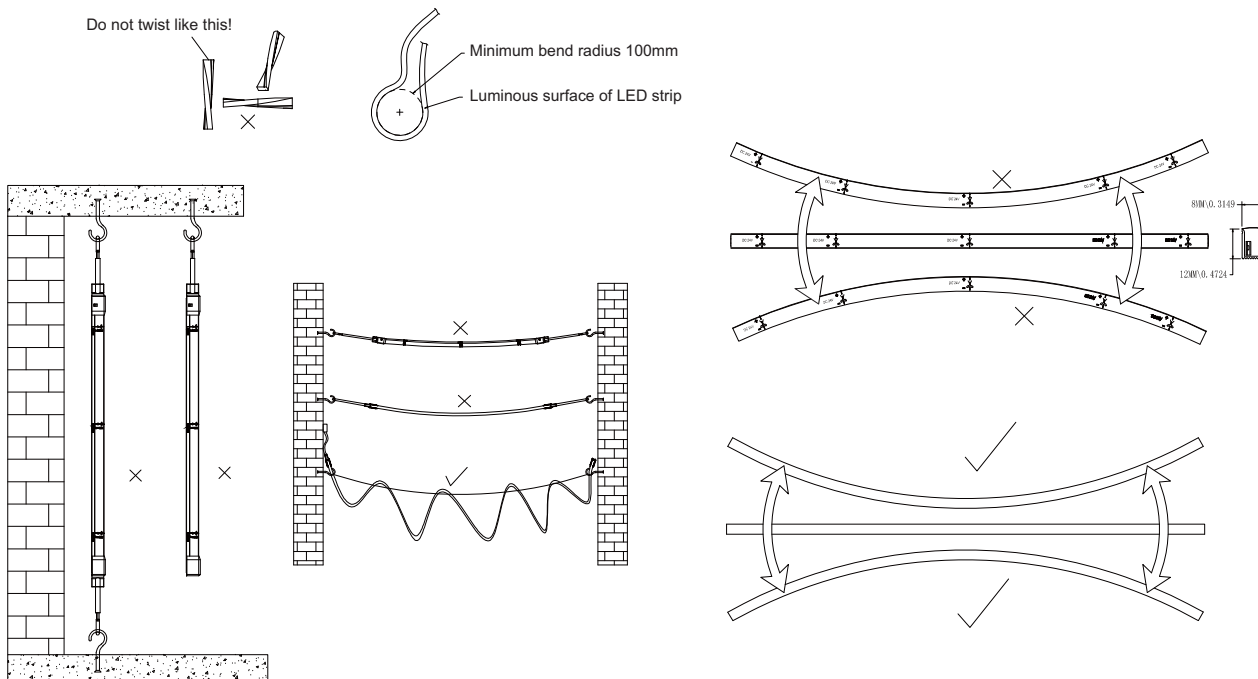


Installation Instruction:

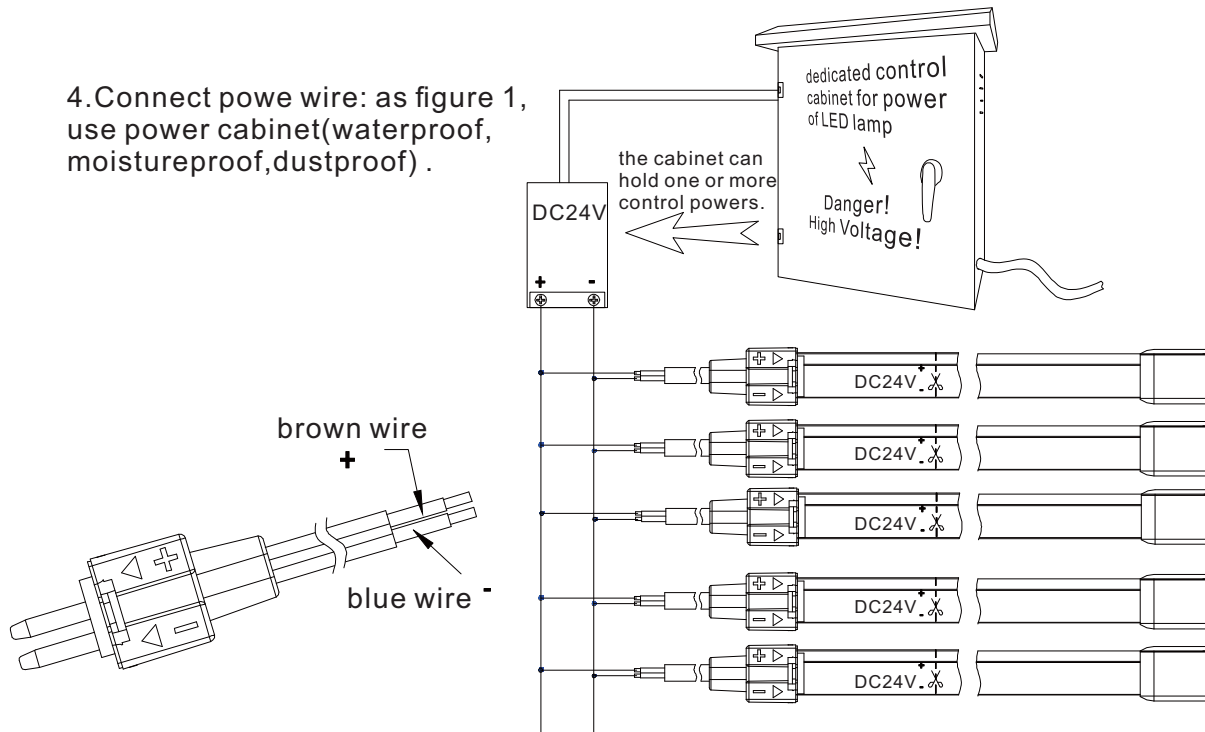
surface which strip will be installed on
(inverse, vertical, horizontal or 90° vertically)

Base line which will be used in installing lamp.

1. Pull a string parallel LED strip which will be installed; as figure 1
2. Fix the clip on the base line, and the distance depend on practical situation, figure 2, figure 3;
3. After the clip is fixed, embed the LED strip into the slot with luminous surface closing to the thumb; as figure 4 figure5;

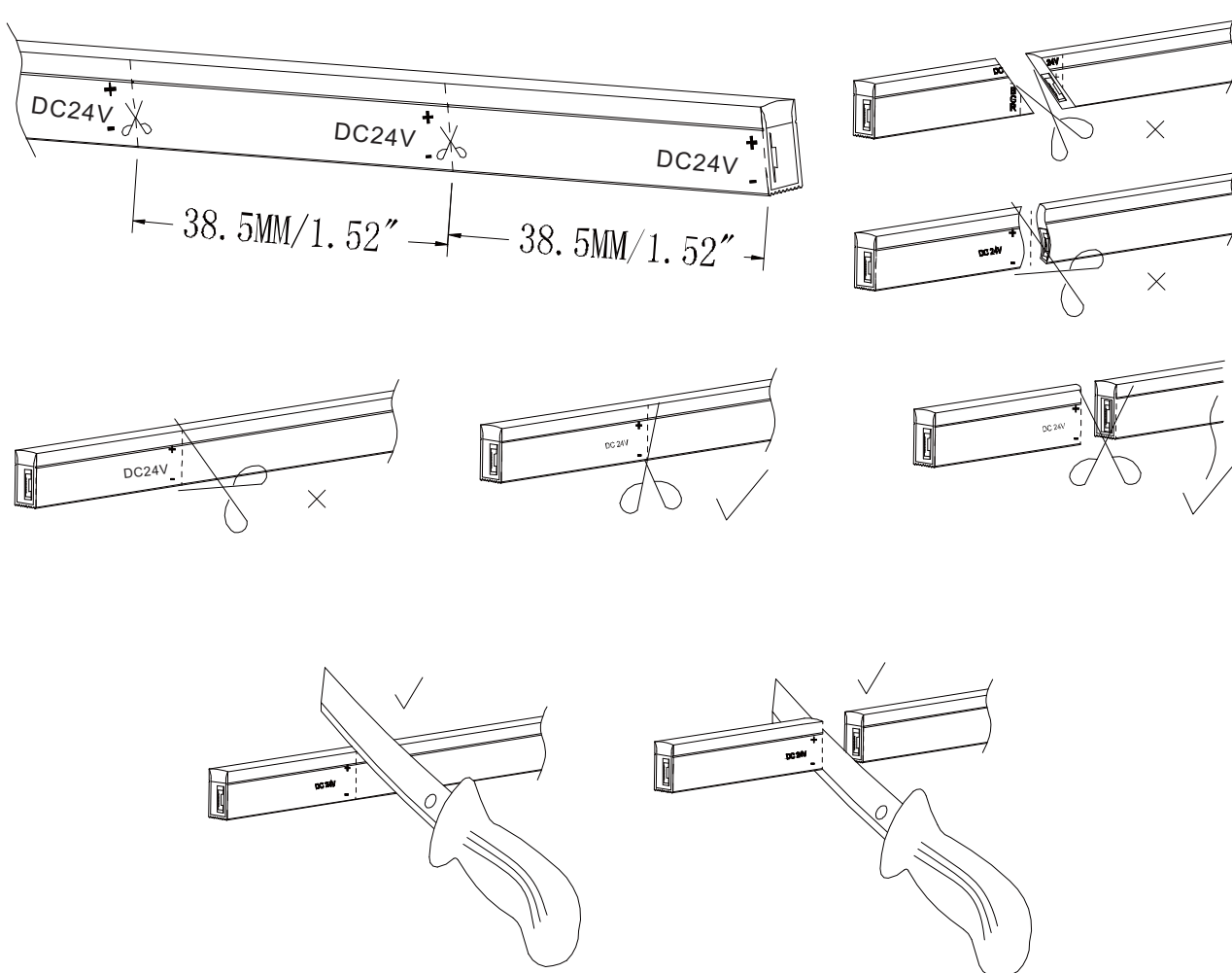


4. Connect power wire: as figure 1, use power cabinet(waterproof, moistureproof,dustproof) .

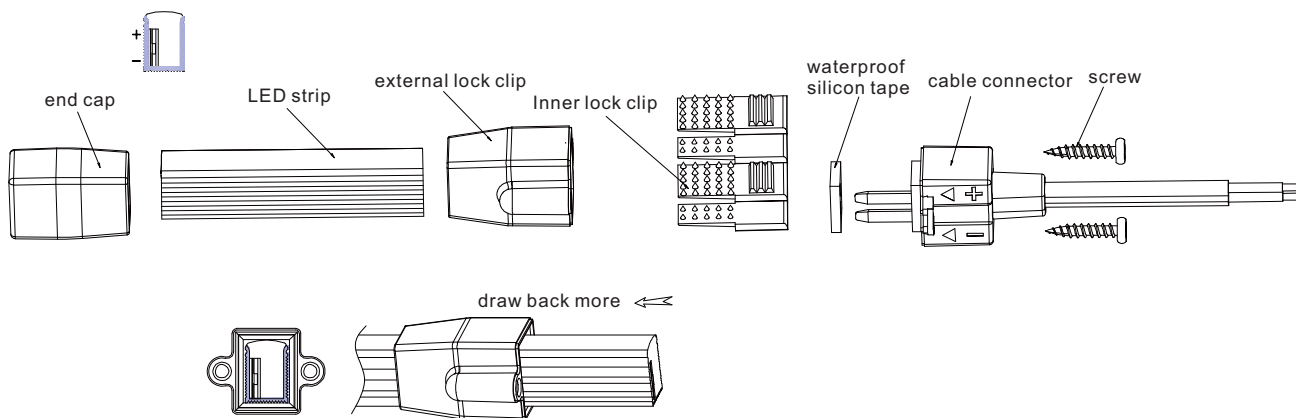




Cutting and assembly instruction:

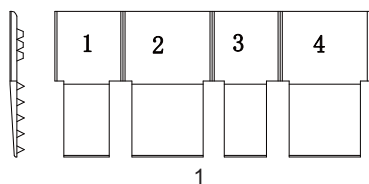


Installation instruction of cable connector

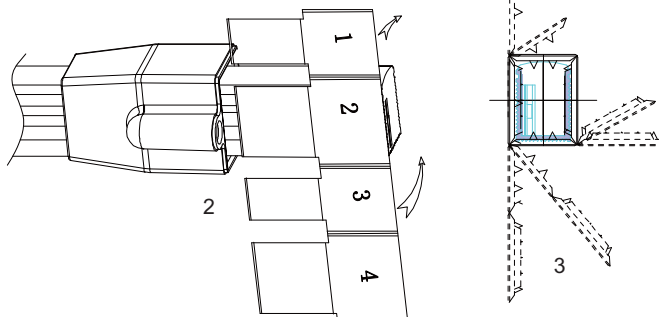




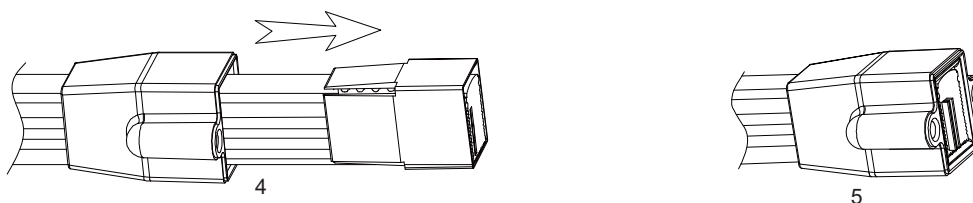
1) Prepare accessories, put external lock clip on and leave space from the end, as shown in picture 1.



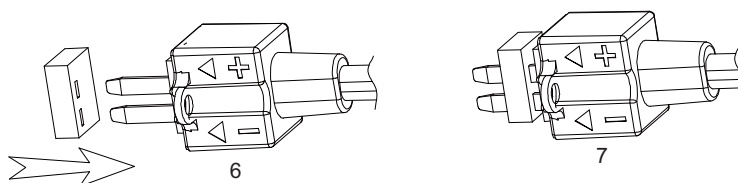
2) Align the inner lock clip, press part 2, tight the clip as shown in pictures 2 and 3.



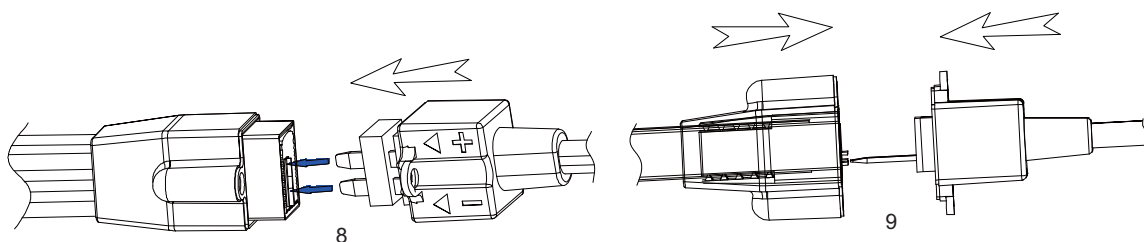
3) Pull the external lock clip to end of strip, make sure lock tightly, as shown in pictures 4 and 5



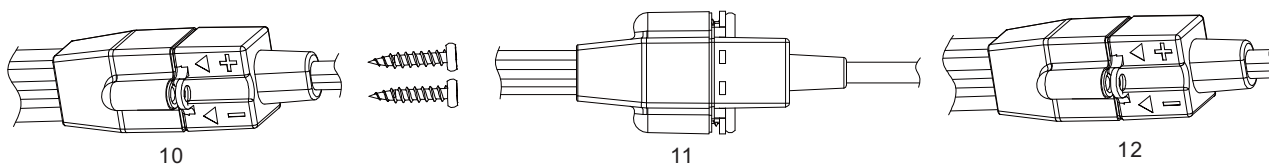
4) Put the waterproof silicon tape into cable connector, as shown in pictures 6 and 7.



5) Install cable connector, make sure the polarity is correct, as shown in pictures 8 and 9.

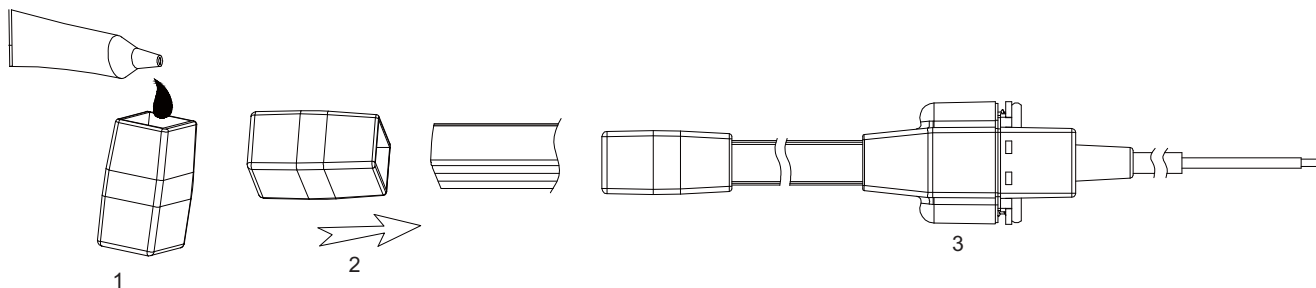


6) Use screws to tight the cable connector, as shown in pictures 10, 11 and 12.





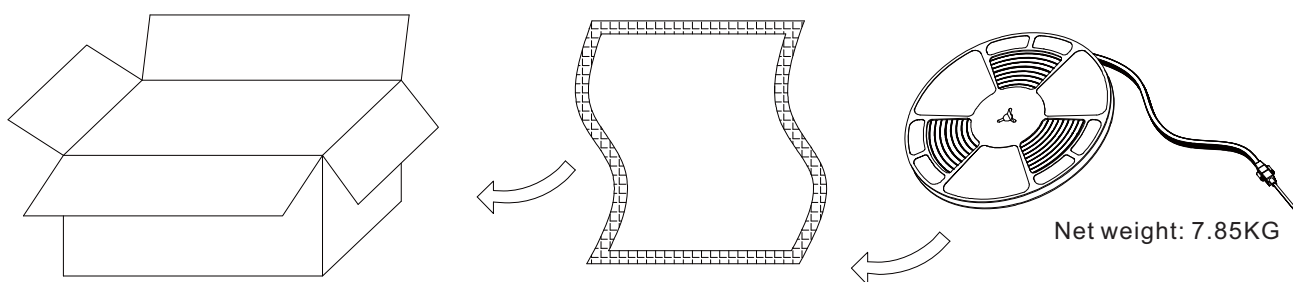
Installation instruction of end cap:



1) Drop glue to the end cap, as shown in picture 1

2) Insert strip to the end cap and dried up the glue to make sure end cap was tightened and totally waterproof, as shown in picture 2.

Packing instruction:



Safety information:

1. The LED strip should be installed on the surface of flame retardant, and thickness of wood or material exceed 2mm;
2. Please read the specification first, to make sure the service environment matches the condition in the specification before using.
3. Please confirm input voltage, disconnect power before use;
4. Cut the strip according to the logo on the strip;
5. It can only be used neutral environments.(PH6-8).