



SC-WLS-M™ Series



Description

WLS-M™ rigid strip is one of the most exquisite strip on the market . The rigid strip adopts high quality aluminum, features slim and nice appearance, more portable than general rigid strip; adopts Epistar 2835 LEDs as light source, high bright, even light;easy to carry and stall; and it can be water-proof designed tailored to customer's requirement.This rigid strip can be widely used in various decorative lighting and auxiliary lighting.

Features

- 1.It is slimmer and more exquisite than general rigid strip;
- 2.Easy to install; it can be installed via clamp or installed via back adhesive;
- 3.Waterproof and non-waterproof optional;
- 4.High bright, even light;
- 5.Save materials and lower transportation cost.



Specifications

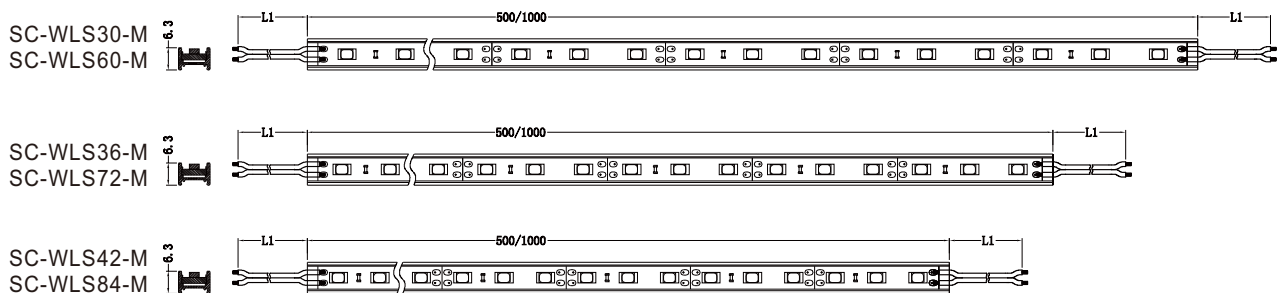
Model #	CCT	LED Type	LED Quantity	Lumen (lm) (±10%)	Lumious Efficacy (lm/w)	Power(w) (±10%)	Voltage	Current	Connected Length	CRI
SC-WLS30-M-W	5000-6500K	SMD2835	30LEDs	720	51	7.25	DC 24V	0.3A	≤4m	82
SC-WLS30-M-WW	2700-3200K	SMD2835	30LEDs	592	41	7.25	DC 24V	0.3A	≤4m	82
SC-WLS36-M-W	5000-6500K	SMD2835	36LEDs	843	51	8.64	DC 24V	0.36A	≤4m	82
SC-WLS36-M-WW	2700-3200K	SMD2835	36LEDs	714	42	8.64	DC 24V	0.36A	≤4m	82
SC-WLS42-M-W	5000-6500K	SMD2835	42LEDs	994	52	10.08	DC 24V	0.42A	≤3m	82
SC-WLS42-M-WW	2700-3200K	SMD2835	42LEDs	822	42	10.08	DC 24V	0.42A	≤3m	82
SC-WLS60-M-W	5000-6500K	SMD2835	60LEDs	1441	102	14.5	DC 24V	0.6A	≤4m	82
SC-WLS60-M-WW	2700-3200K	SMD2835	60LEDs	1184	82	14.5	DC 24V	0.6A	≤4m	82
SC-WLS72-M-W	5000-6500K	SMD2835	72LEDs	1687	102	17.28	DC 24V	0.72A	≤4m	82
SC-WLS72-M-WW	2700-3200K	SMD2835	72LEDs	1429	84	17.28	DC 24V	0.72A	≤4m	82
SC-WLS84-M-W	5000-6500K	SMD2835	84LEDs	1988	104	20.16	DC 24V	0.84A	≤3m	82
SC-WLS84-M-WW	2700-3200K	SMD2835	84LEDs	1614	84	20.16	DC 24V	0.84A	≤3m	82

Main Applications

WLS -M™ rigid strip can be used in warehouse, parking lot, shopping mall, farm, factory, cold storage, metro, underground passage and other places.

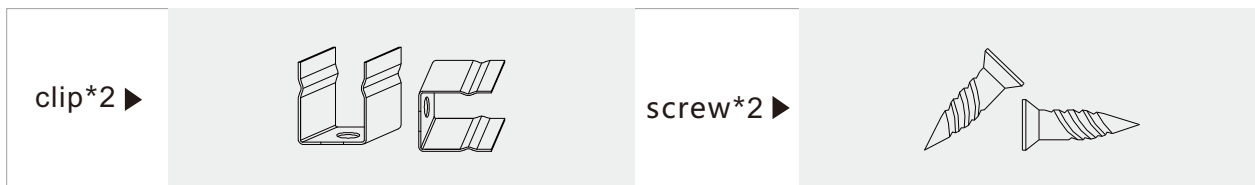


Dimensions (Unit: mm)



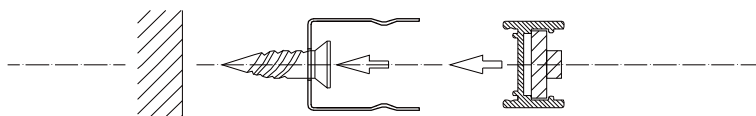


Accessories



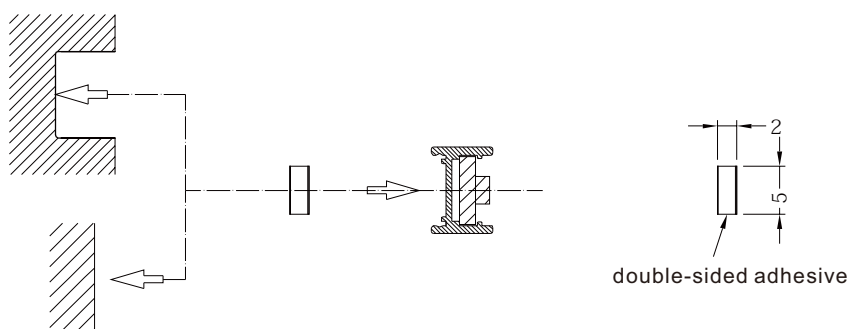
How to fix

Installation Method I



1. Cross screw through the clip, then fix the clip on the wall surface via the screw;
2. Install the aluminium gutter.

Installation Method II

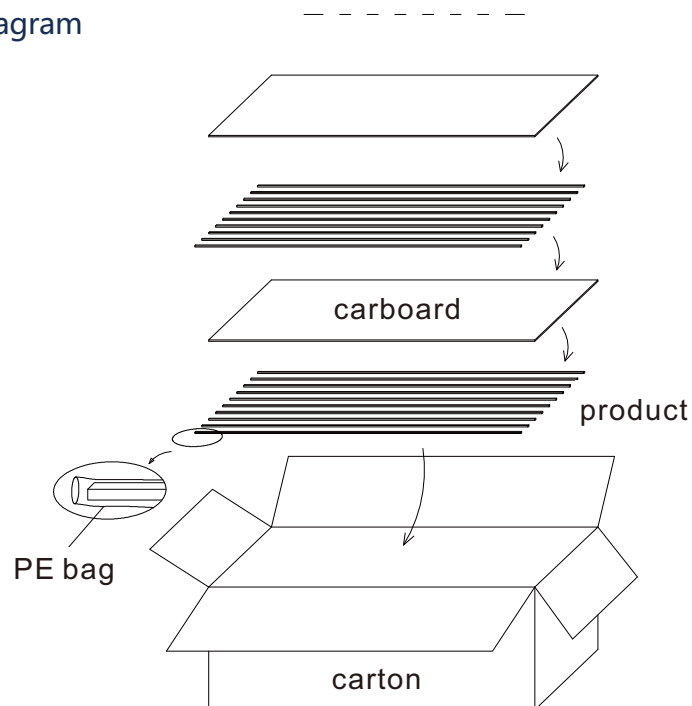


1. Stick the double-sided adhesive on the bottom of aluminium gutter
2. Stick the aluminium gutter on the wall surface



Package information

Product placement diagram



Quality

0.5m net weight 35g

1m net weight 70g

Notice

- 1.The strip itself and all its components may not be mechanically stressed.
- 2.Assembly must not damage or destroy conducting paths on the circuit board.
- 3.Installation of LED ribbon (with power supplies) needs to be made with regard to all applicable electrical and safety standards. Only qualified personnel should be allowed to perform installations.
- 4.Correct electrical polarity needs to be observed. Wrong polarity may destroy the strip.
- 5.Parallel connection is highly recommended as safe electrical operation mode.
- 6.Serial connection is not recommended. Unbalanced voltage drop can cause hazardous overload and damage the strip.
- 7.Please ensure that the power supply is of adapters power to operate the total load.
- 8.When mounting on metallic or otherwise conductive surfaces, there needs to be an electrical isolation points between strip and the mounting surface.
- 9.Pay attention to standard ESD precautions when installing the strip.
- 10.Damaged by corrosion will not be honored as a materials defect claim.It is the user's responsibility to provide suitable protection against corrosive agents such as moisture and condensation and other harmful elements.