

Luna COB 3" Downlight

Description

Luna 3" COB downlight is designed to replace halogen 35W, 50W downlight, delivering halogen-like warm white accent beam. The patented heat-sink design maintain perfect heat dissipation. It provides 3 types of beam angle for various accent beam demand, could fit most of halogen fittings in the market. With Signcomplex designed fitting it can be 358°horizontal and 30°vertical rotatable.

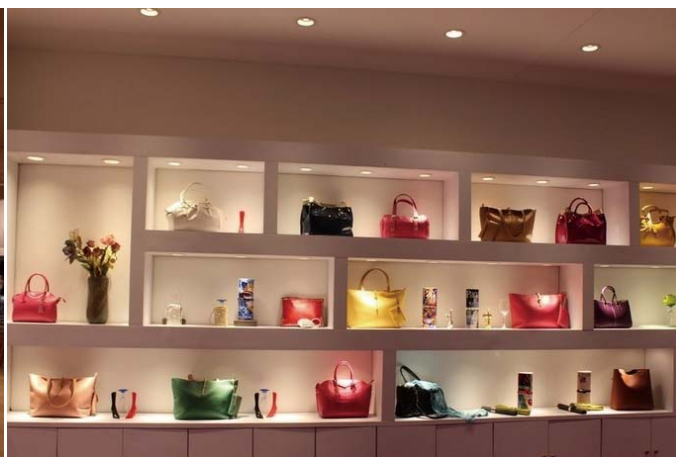
Features

1. Die-casting housing, distinctive design for better heat dissipation
2. Delivering halogen-like accent beam, uniform light distribution, no light circle or dot
3. One external driver make sure low heat, good performance. Working at constant current so that LED functions stably and maintain long life time. Strain relief on both sides make sure cables never loose by strong strength
4. More choices of beam angle for various demands
5. The reflectors are interchangeable, help reduce inventory cost.
6. Anti-glare optic design, UGR<19
7. Reliable light source, COB with Epistar chip



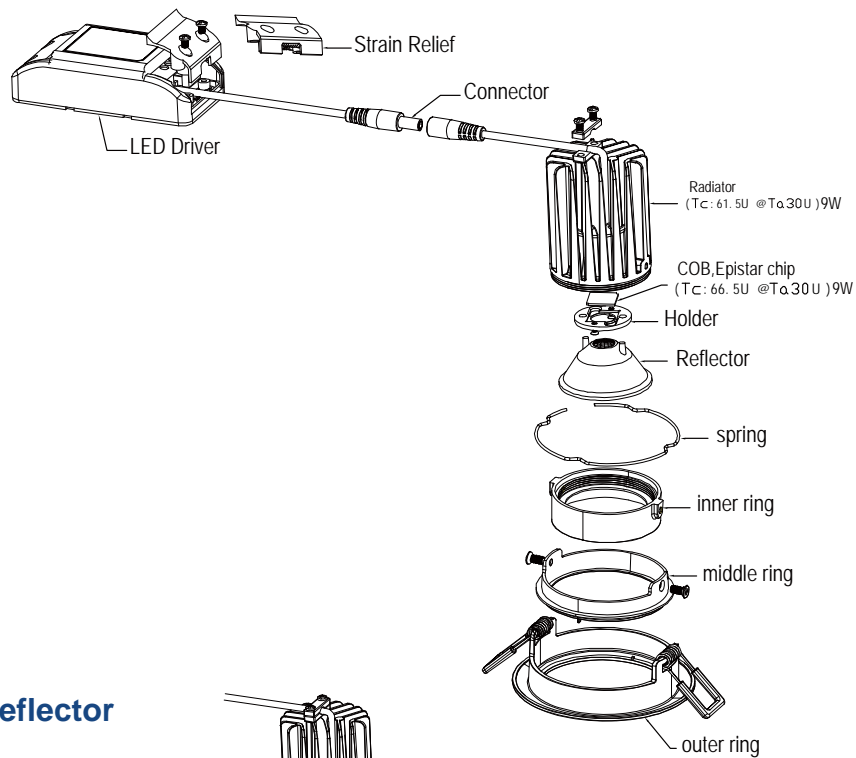
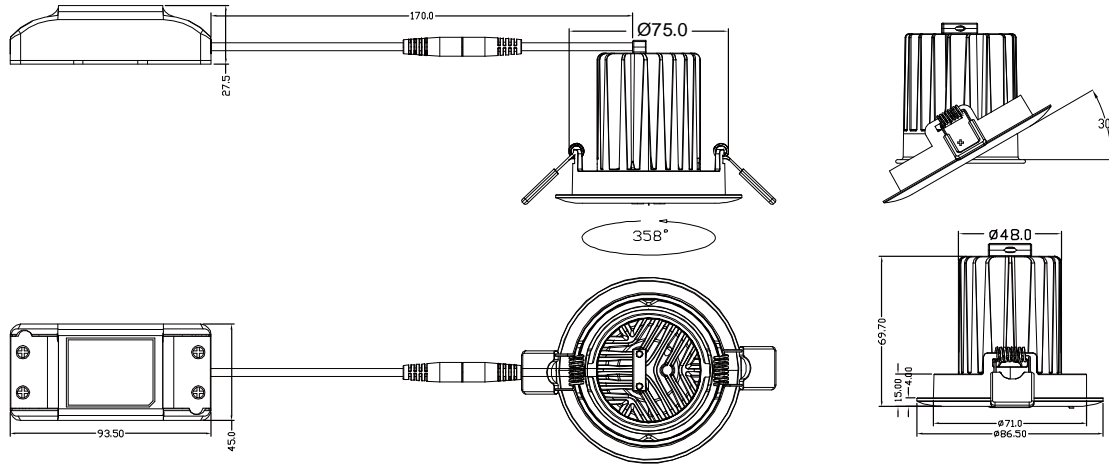
Application

Widely used in office, cabinet, restaurant, shop and corridor, etc



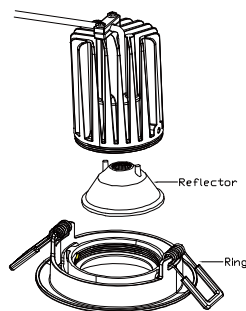


Dimensions (Unit: mm/inch)



How to replace the reflector

Unscrew the ring, take out the reflector, then put the other reflector into the lamp (attention: the feet of the reflector must fit into the holes of COB holder). Put the ring back, tighten it up and you can use the lamp with the new reflector.



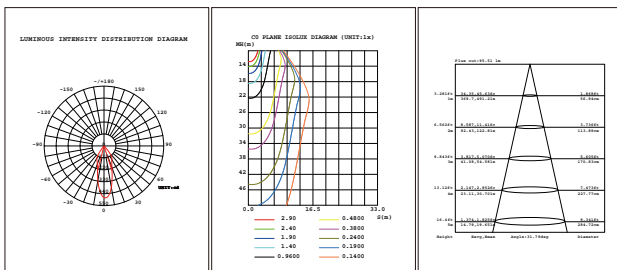


Specifications

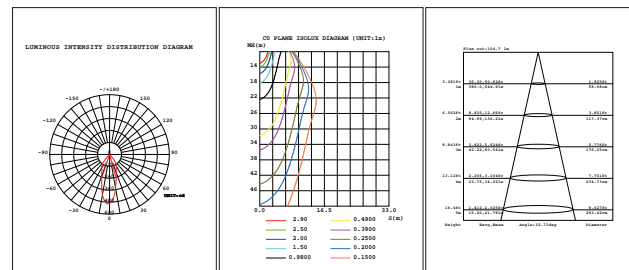
Model #	CCT	LED Type	Lumen(lm) (±10%)	Beam angle	CRI	Power(W) (±10%)	Comparable Halogen Wattage	Voltage (V)	PF
MDL3 -005-AW-W-01	5000K	COB (Epistar chip)	370	28°40°55°	>80	5W	35W	100-240V AC	>0.9
MDL3 -005-AW-NW-01	4000K		400						
MDL3 -005-AW-WW-01	3000K		380						
MDL3 -007-AW-W-01	5000K		510			7W	50W		
MDL3 -007-AW-NW-01	4000K		570						
MDL3 -007-AW-WW-01	3000K		500						
MDL3 -009-AW-W-01	5000K		780			9W	high light for special demand		
MDL3 -009-AW-NW-01	4000K		830						
MDL3 -009-AW-WW-01	3000K		750						

Photometric diagram

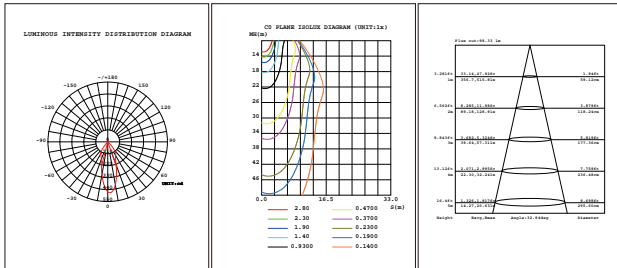
MDL3-005-AW-W-28°



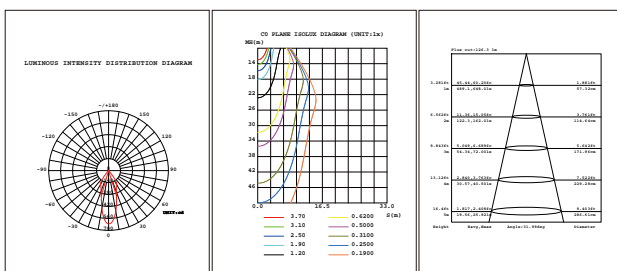
MDL3-005-AW-NW-28°



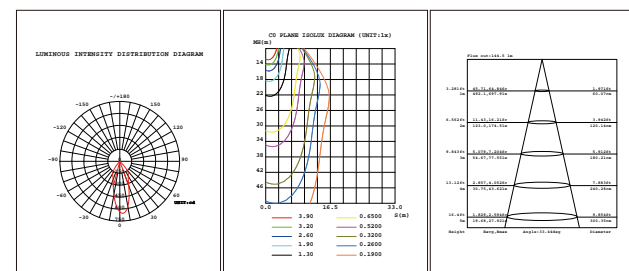
MDL3-005-AW-WW-28°



MDL3-007-AW-NW-28°

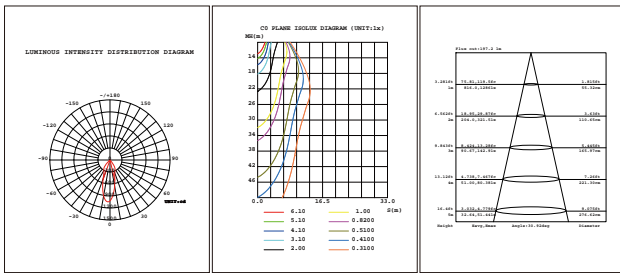


MDL3-007-AW-W-28°

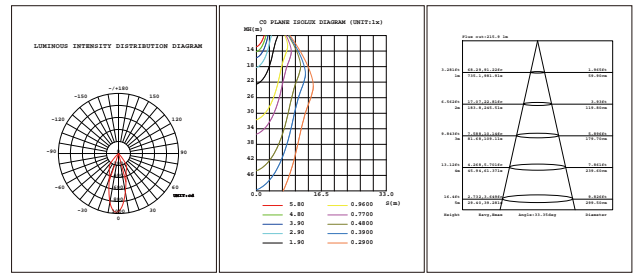




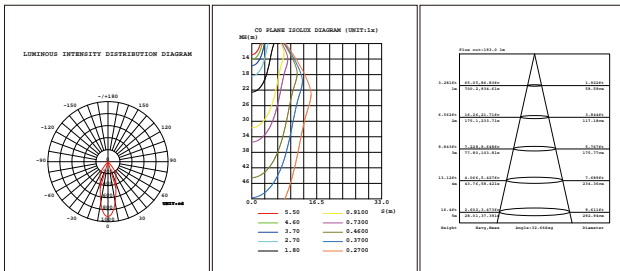
MDL3-009-AW-W-28°



MDL3-009-AW-NW-28°



MDL3-009-AW-WW-28°



Package information

Inner Box Dimension: 105*105*125mm

Carton Box Dimension: 445*230*280MM (16pcs)

Single Light Net Weight: 0.28kg

Single Light Gross Weight: 0.34kg

Carton Box Gross Weight: 6.5kg

Installation instruction

1. Organize all the parts and accessories;
2. Cut off the power before installation;
3. Make sure the product is fixed tighten on the installation surface;
4. Connect the power line to the power supply, then turn on the light;
5. Make sure the lamp is face straight down.

! Notice

1. The product must be installed by professionals.
2. If the shell or the power line is damaged, don't use it and take it as defective product.
3. Dangerous high voltage, non-professionals are not allowed to maintain the products.