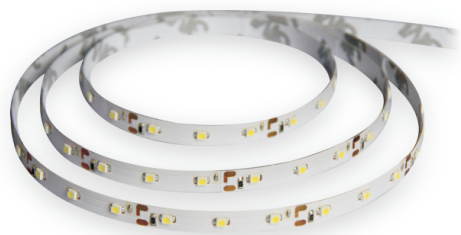


SC-IA

Top SMD LED type



Application

- ※ Cove lighting
- ※ Architectural lights for canopy, corridor, window, archway
- ※ Backlight or edge lighting for signage
- ※ DIY lights for home use
- ※ Path and contour marking
- ※ Decorative lights for holiday, event, show, exhibition

Great advantages

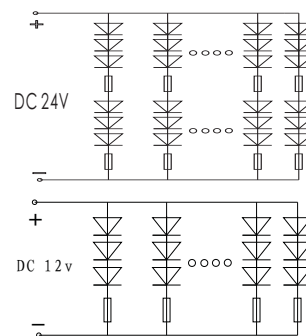
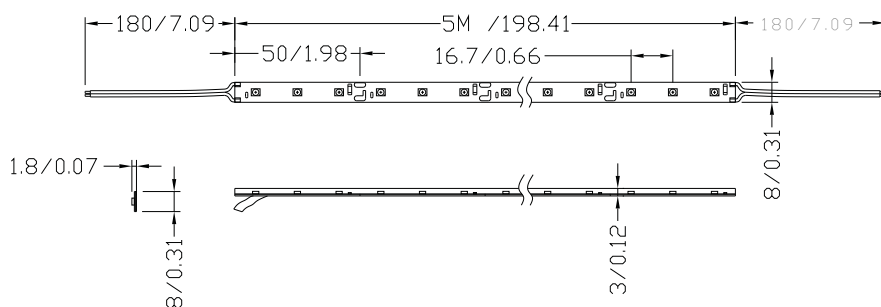
- ※ Eco friendly
- ※ Long life span, standard warranty 3 years
- ※ Complete cut / connection accessories
- ※ No need of constant-current power feed
- ※ Low power consumption
- ※ Custom packing



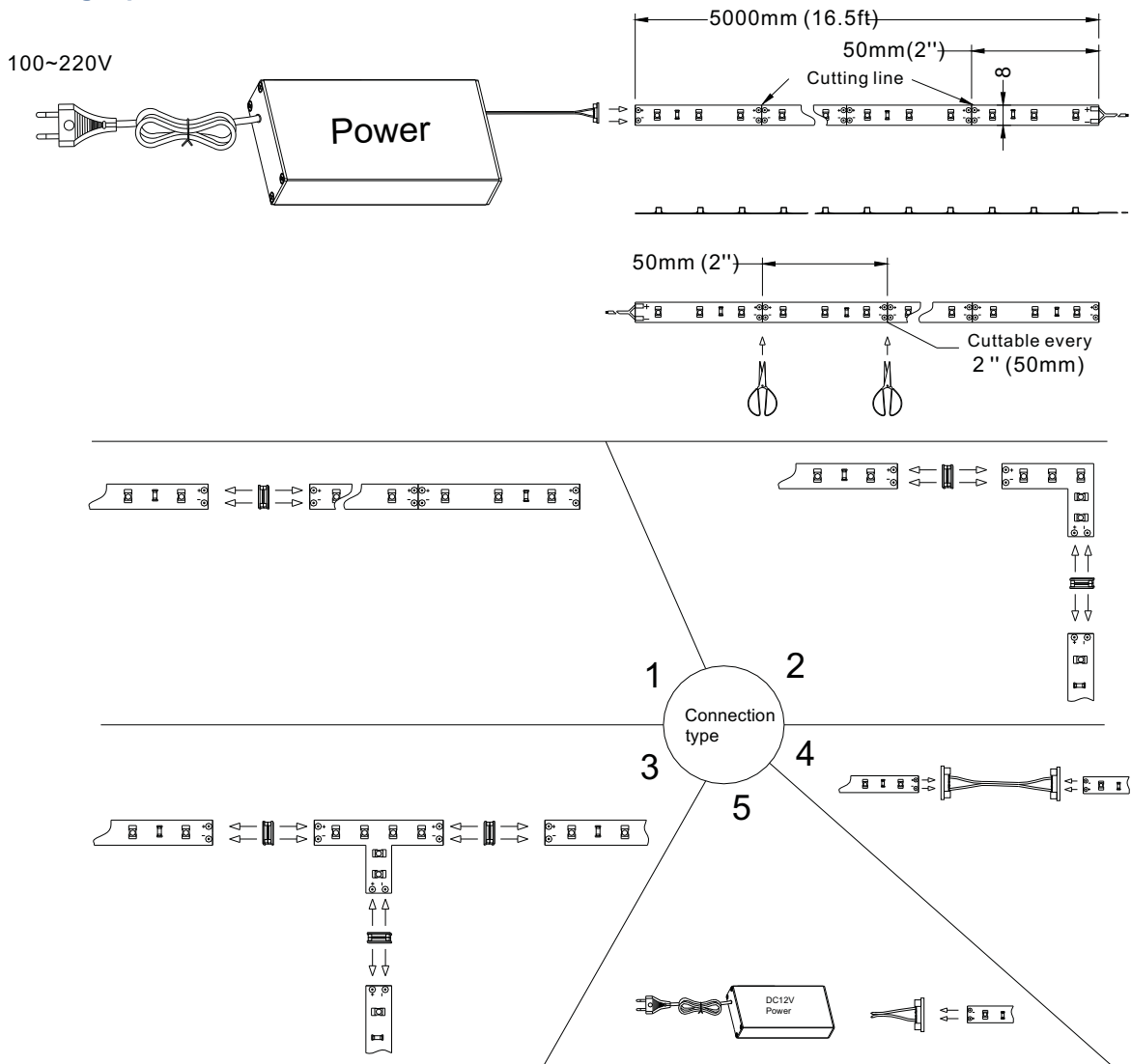
Technical parameters

Model Number	Color	Length (m)	LED Q' ty	LED Type	Light Output (lumen/m)	Beam Angle (degrees)	Voltage (V DC)	Current (Amps/m)	Max. Power Consumption (W/m)	IP	Continuous Connection (m)
SC-IA-W-12	White	5	300	3528 SMD	380	120	12	0.4	4.8	20	10
SC-IA-NW-12	Natural White	5	300		370	120	12	0.4	4.8	20	10
SC-IA-WW-12	Warm White	5	300		360	120	12	0.4	4.8	20	10
SC-IA-W-24	White	5	300		380	120	24	0.2	4.8	20	10
SC-IA-NW-24	Natural White	5	300		370	120	24	0.2	4.8	20	10
SC-IA-WW-24	Warm White	5	300		360	120	24	0.2	4.8	20	10

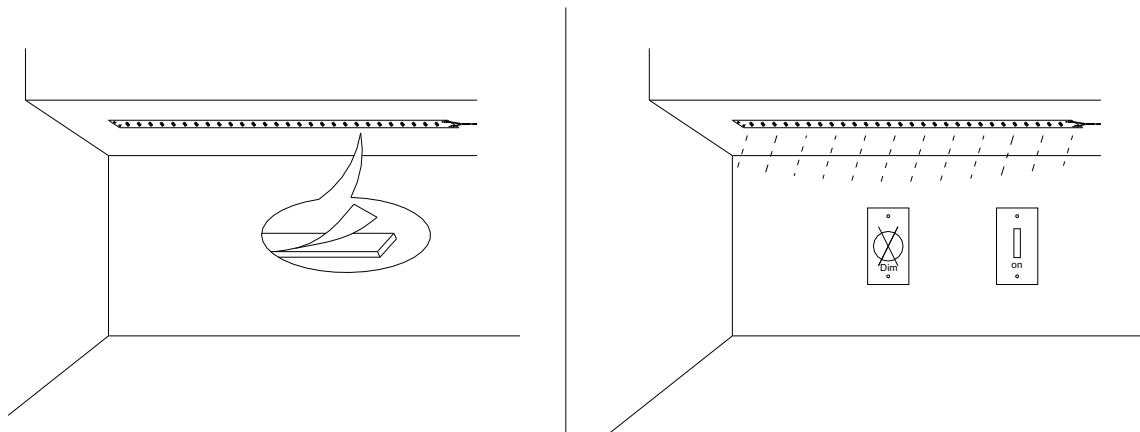
Dimension&Circuit drawings



Linking operation



Installation

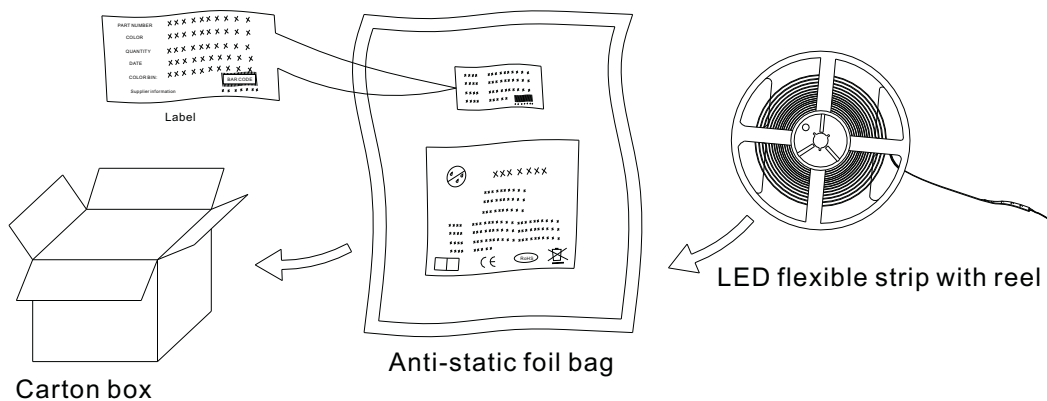


Safety Information

- The strip itself and all its components may not be mechanically stressed.
- Assembly must not damage or destroy conducting paths on the circuit board.
- Installation of LED ribbon (with power supplies) needs to be made with regard to all applicable electrical and safety standards. Only qualified personnel should be allowed to perform installations.
- Correct electrical polarity needs to be observed. Wrong polarity may destroy the strip.
- Parallel connection is highly recommended as safe electrical operation mode.
- Serial connection is not recommended. Unbalanced voltage drop can cause hazardous overload and damage the strip.
- Please ensure that the power supply is of adapters power to operate the total load.
- When mounting on metallic or otherwise conductive surfaces, there needs to be an electrical isolation points between strip and the mounting surface.
- Pay attention to standard ESD precautions when installing the strip.
- Damaged by corrosion will not be honored as a materials defect claim.

It is the user's responsibility to provide suitable protection against corrosive agents such as moisture and condensation and other harmful elements.

※ Packing information



※ Connectors

