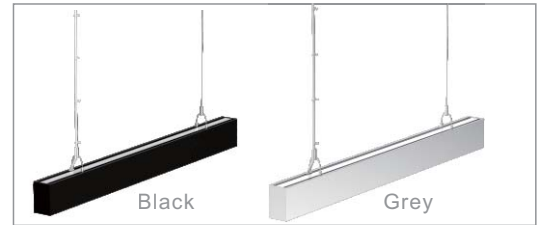




LED Linear Light

SL11070 in single run up-and-down lighting



Description

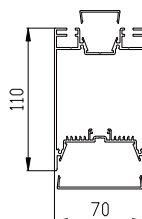
SL11070 series, with excellent 6063 extrusion aluminum, reliable LEDs and PC diffuser, it has high light efficiency and uniform light distribution. It provides up-and down lighting and allows 2 ways of installation: wall mounted and suspendant. It can be widely used as wall lighting for decoration and also main lighting for office, shops, hospital, school and so on.

Features

1. Simple and modern design, screwless at end cap.



2. Extrusion aluminum lamp body and PC cover.

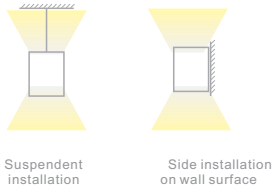


3. Smooth and soft lighting effect, no dark dot and shadow at the lighting area.





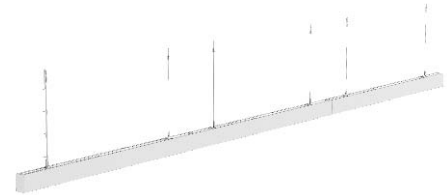
4. Various installation: Suspendent, side installation on wall surface.



5. Three colors of lamp body, white, black and silver.



6. Continuous connection at max 550W run.



Specifications

Model	CCT	LED Type	Lumen(lm) (±10%)	Power(W) (±10%)	Length(mm)	Voltage (V)
SC-SL11070-028-AW-01W	6000-6500K	2835	2658 lm	28W	600	AC 100-240V 50/60Hz
SC-SL11070-028-AW-01NW	3800-4200K		2703 lm	28W	600	
SC-SL11070-028-AW-01WW	2800-3200K		2469 lm	28W	600	
SC-SL11070-056-AW-01W	6000-6500K	2835	5246 lm	56W	1200	AC 100-240V 50/60Hz
SC-SL11070-056-AW-01NW	3800-4200K		5340 lm	56W	1200	
SC-SL11070-056-AW-01WW	2800-3200K		4953 lm	56W	1200	
SC-SL11070-075-AW-01W	6000-6500K	2835	6704 lm	75W	1500	AC 100-240V 50/60Hz
SC-SL11070-075-AW-01NW	3800-4200K		6520 lm	75W	1500	
SC-SL11070-075-AW-01WW	2800-3200K		6214 lm	75W	1500	

Beam angle	PF	CRI	IP	Life span	Reflector
110°	>0.95	≥80	IP40	50000hrs	Milky cover

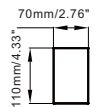
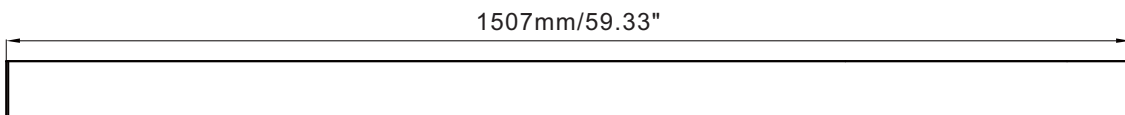
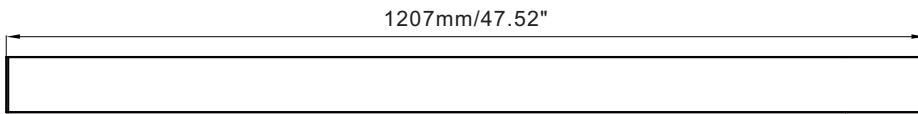
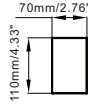
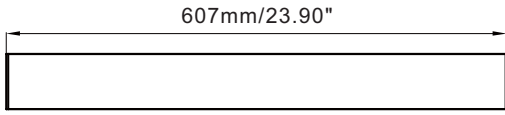
Applications

Suitable for hotels, conference rooms, factories, offices, commercial purposes, institution buildings, schools, colleges, universities, hospitals and other places which needs energy saving and high color rendering index lighting.

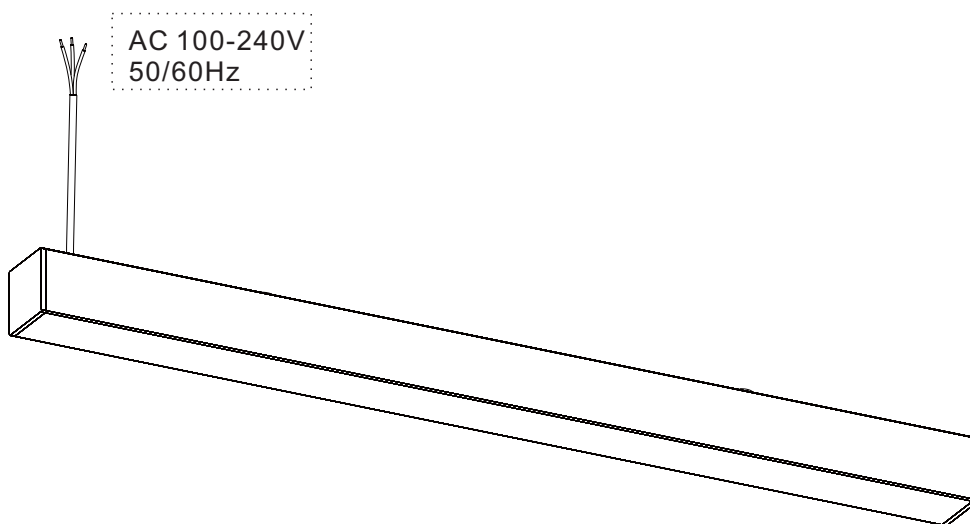




Dimensions (Unit: mm/inch)



Electrical Connection



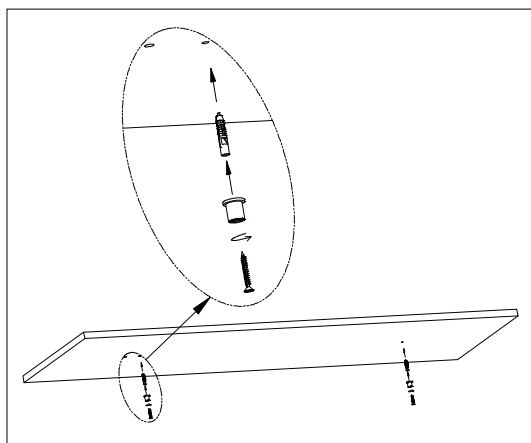
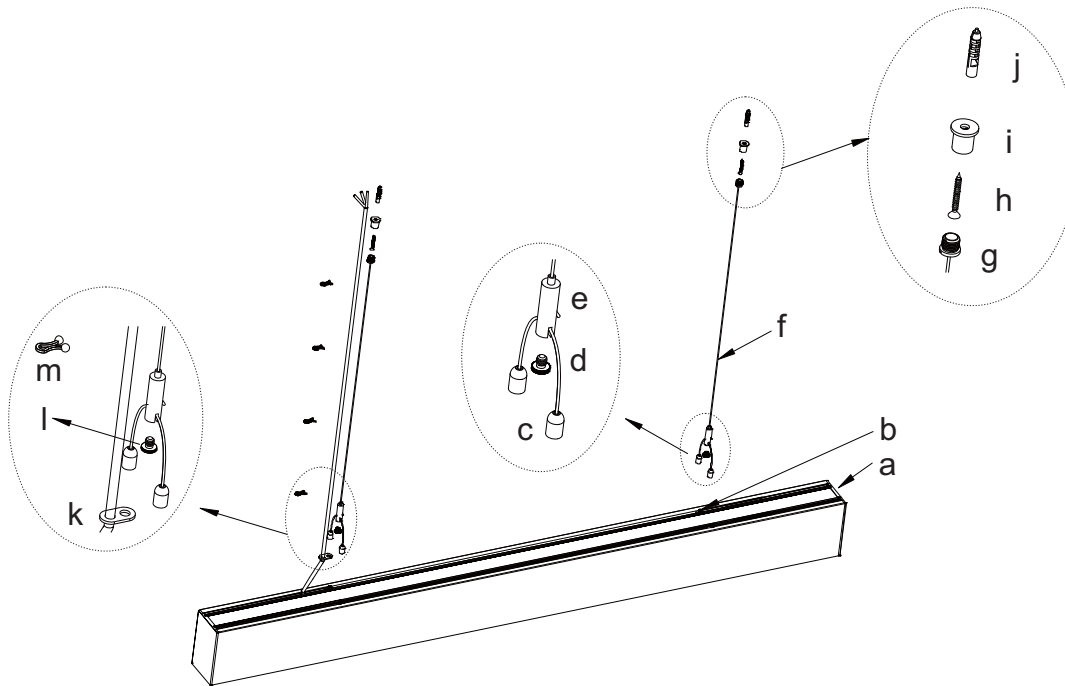


How to install

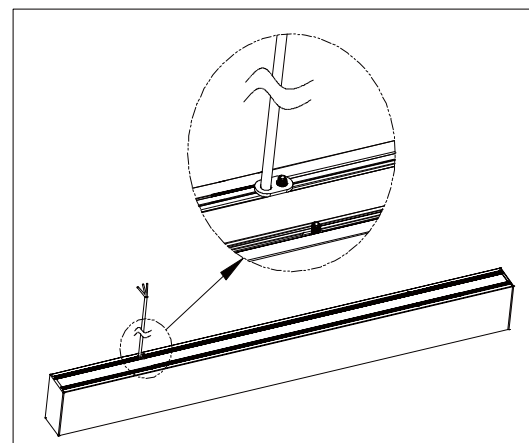
Suspendent installation

Step1:Accessories

a	11070 lamp body	1pcs	b	Screw	4pcs	c	fastening head	4pcs	d	steel wire rope	2pcs
e	locking wire buckle	2pcs	f	pendant cord	2pcs	g	fastening head1	2pcs	h	4X30PA screw	2pcs
i	fastening head2	2pcs	j	rubber plug	2pcs	k	"八" shape buckle	1pcs	l	balance adjustment screw	2pcs
m	doubling clip	4pcs									

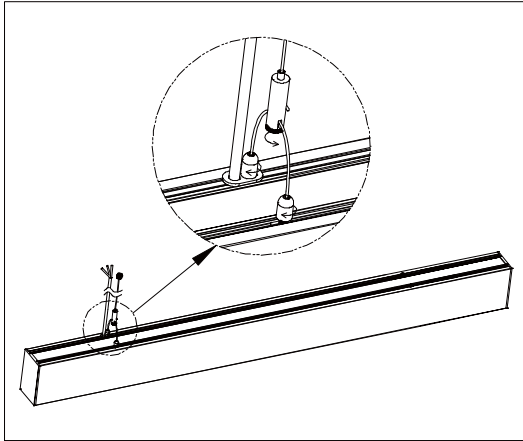


1. Plan installing hole distance between lifting ropes and position of AC input wire, and drill holes in ceiling;punch rubber plug into hole, and fix fastening head 2 in the ceiling with 4X30PA screw;

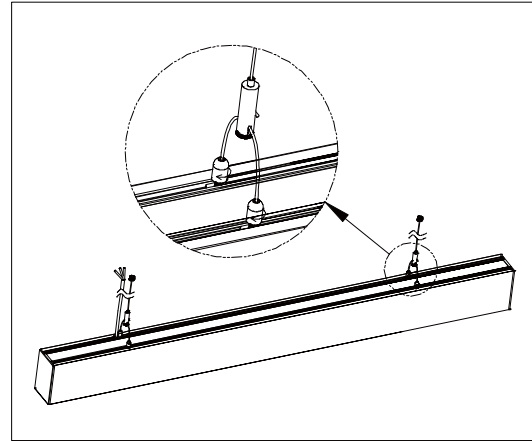


2.1 Installation method of suspendent components on the left end:

2.1.1 Move screws to planned suspendent position, and thread AC wire through one hole of "eight" shape buckle, then thread screw through another hole of "eight" shape buckle;

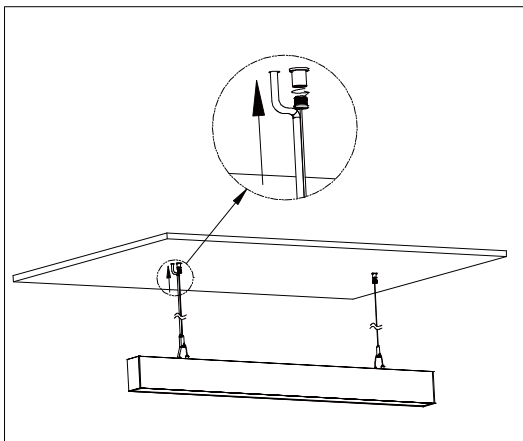


3. Rotate and fasten 2 fastening heads and 2 screws of left end; hold steel wire rope and lift lamp upward, then adjust balance screws to balance lamp, finally tighten balance screws;

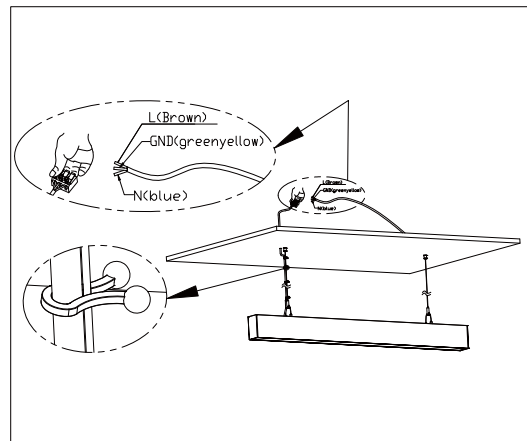


4.2 Installation method of suspending components on the right end:

4.1.1 Move screws to planned suspending position; rotate and fasten 2 fixing heads with 2 screws on the right end, hold steel wire rope and lift lamp upward, then adjust balance screws to balance lamp, finally tighten balance screws;



5. Rotate and fasten two fastening head 1 on the lamp and two fastening head 2; then thread AC input wire through holes in the ceiling, and import wires in the ceiling back;

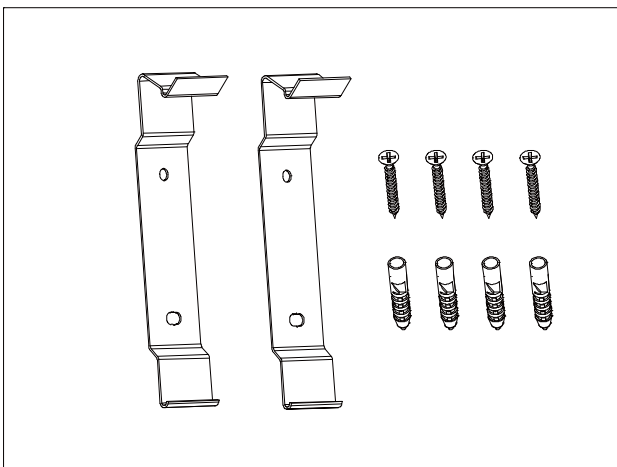
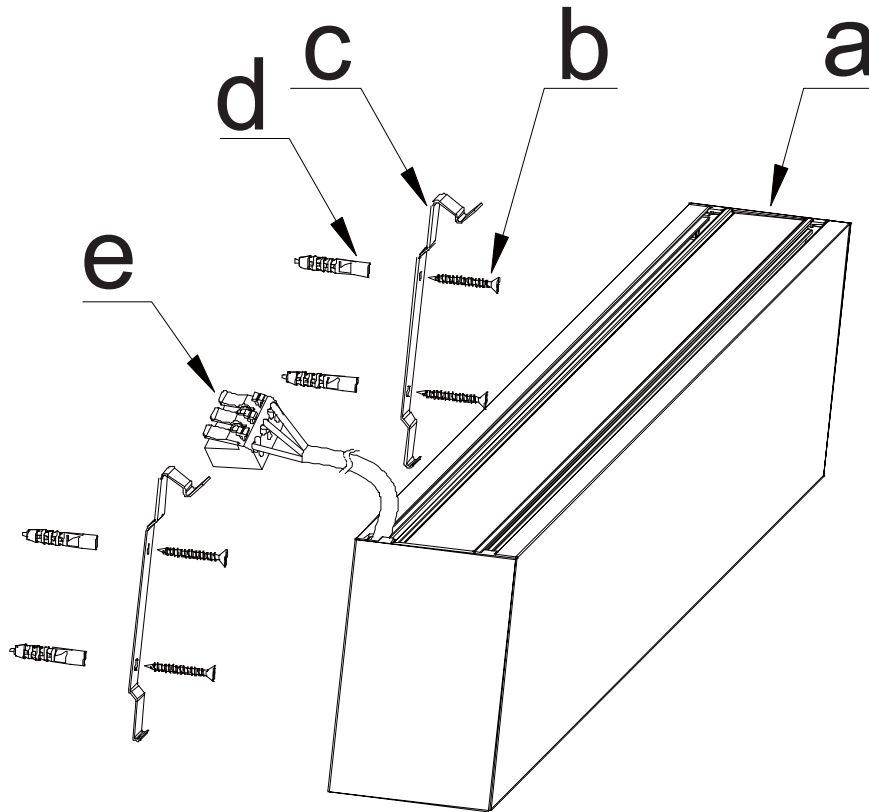


6. Connect L, N and GND polarities of AC input wire with L, N and GND polarities of lamp AC input wire. Couple steel wire rope and AC input wire by coupling clamp, and power on to lighten lamp, then finish installation.

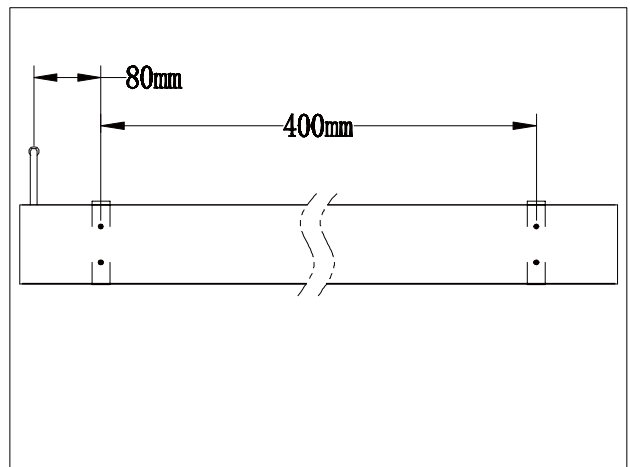


Side installation on wall surface

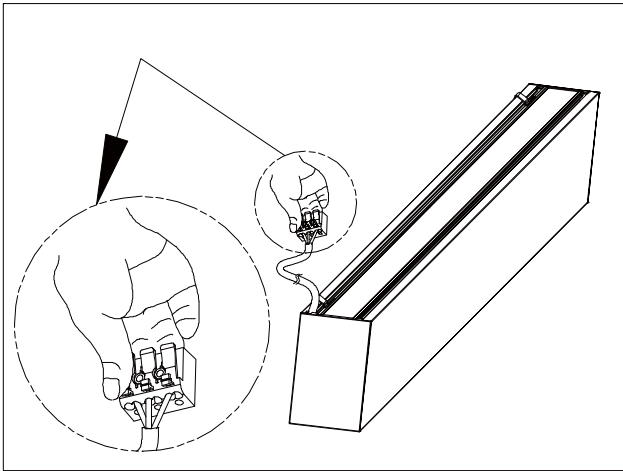
a	11070 lamp body	1pcs	b	Screw	4pcs	c	11070 clamp	2pcs	d	rubber plug	4pcs
e	quick connector	1pcs									



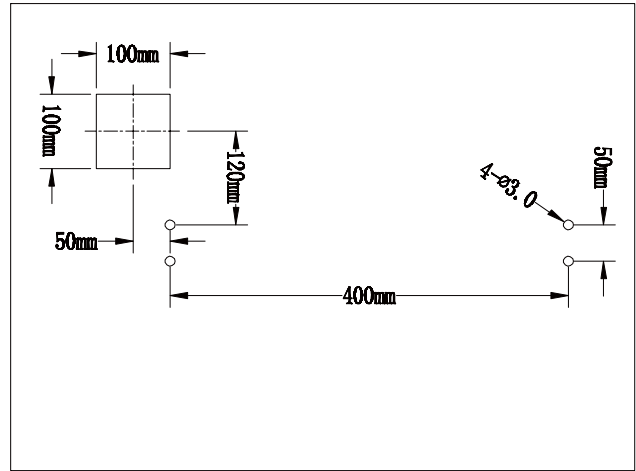
accessories of ceiling installation



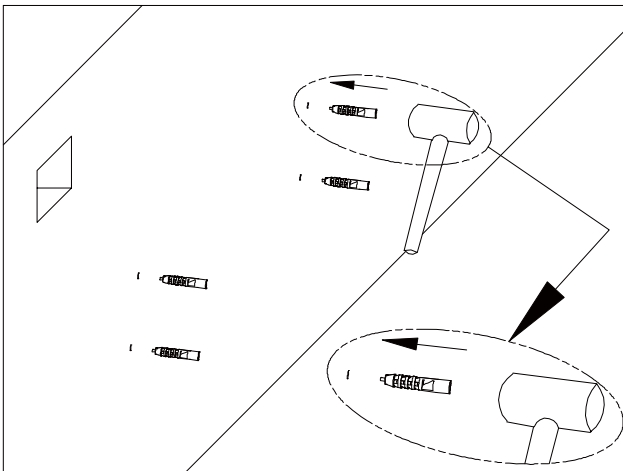
installation diagram



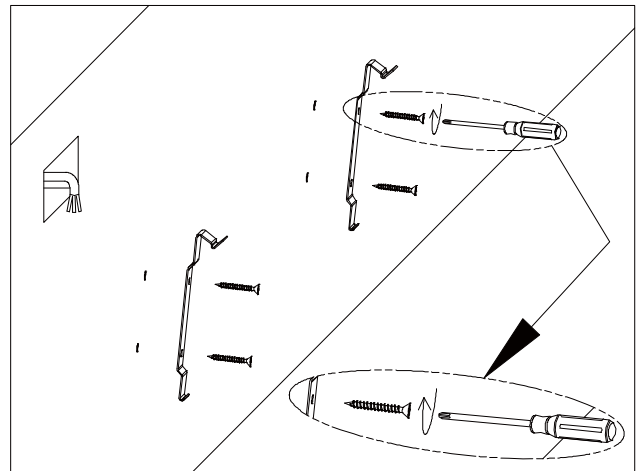
1. Press handle of quick connector, and pull AC input wire out from quick connector;



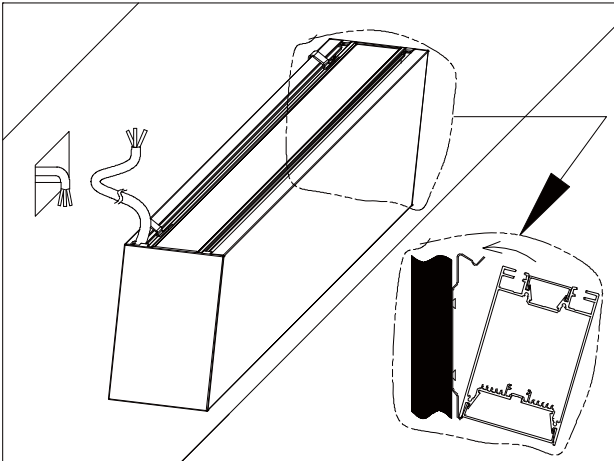
2. Drill 4 holes of $\phi 3.0\text{mm}$ and 1 hole for junction box;



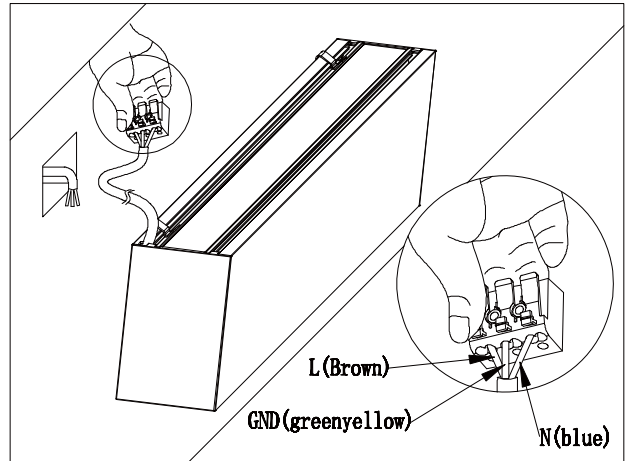
3. Drive the plastic rubber into 4 holes of $\phi 3.0\text{mm}$ with hammer, and thread screw through fixed head 2, then fasten fixed head 2 into plastic rubber with cross screw driver and insert junction box into wall.



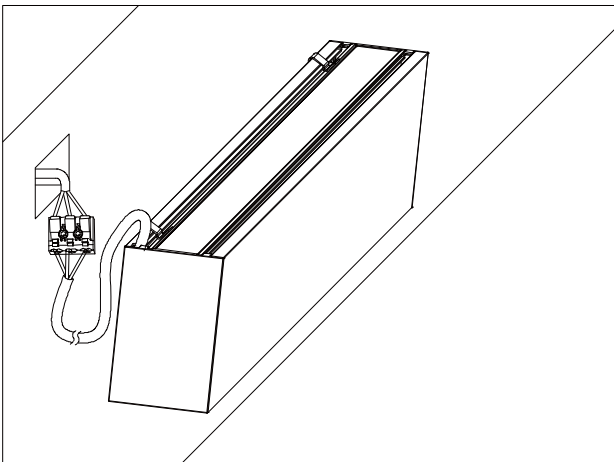
4. Thread screw through clamp, and fasten the clamp into plastic rubber with cross screw driver, and draw out AC input wire from junction box in wall;



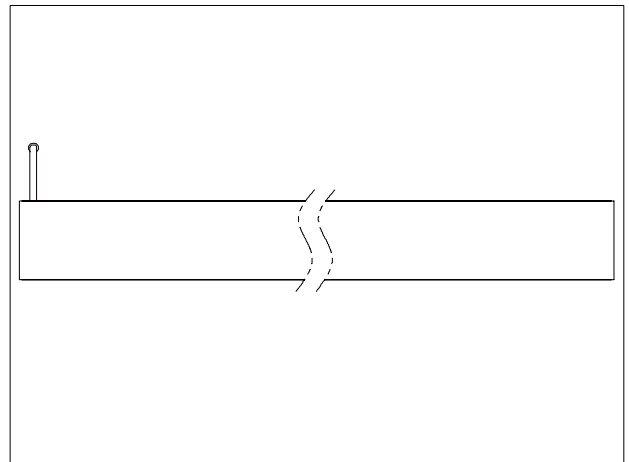
5. According above detailed drawing, install lamp on one side of clamp, and rotate lamp to other side of clamp;



6. Press handle of quick connector, and insert L,N and GND polarities of AC input wire into L,N and GND polarities of quick connector;



7. According above detailed drawing, install lamp on one side of clamp, and rotate lamp to other side of clamp;



8. Mount quick connector with wire into junction box, and cover junction box; smear paste on drill holes; lighten lamp, and finish installation.

Product packaging information:

28W	56W	75W
<ul style="list-style-type: none"> ● Net weight/PC: 1.22kg ● Side gross weight/CTN: 19.66kg ● Suspended gross weight/CTN: 20.38kg ● Inner size: 676X130X106mm ● Carton size: 690X534X336mm ● 1pcs/inner box, 12 inner boxes/carton. 	<ul style="list-style-type: none"> ● Net weight/PC: 2.21kg ● Side gross weight/CTN: 17.96kg ● Suspended gross weight/CTN: 18.68kg ● Inner size: 1274X130X106mm ● Carton size: 1288X404X230mm ● 1pcs/inner box, 6 inner boxes/carton 	<ul style="list-style-type: none"> ● Net weight/PC: 2.58kg ● Side gross weight/CTN: 21.72kg ● Suspended gross weight/CTN: 22.44kg ● Inner size: 1544X120X100mm ● Carton size: 1580X413X230mm ● 1pcs/inner box, 6 inner boxes/carton



Notice

1. Please read the specification first, to make sure the service environment matches the condition in the specification before using.
2. Please confirm the applicable power supply before using.
3. Make sure the switch of product is off before connect to the power supply to prevent electric shock.
4. Operation against rules may damage your property even harm to your personal safety.
5. Preliminarily estimate required quantity of LED linear lights, then according to the power rating of single linear light to figure out the total power and design power supply plan.
6. Dangerous high voltage, Non-professionals are not allowed to maintain the products.
7. If the exterior flexible cable or wire is damaged, it must exchange by the supplier, its agent or other similar qualified personnels to avoid dangers.