



## UL LED Troffer Light(0-10V Dimming)



### Features

#### 1. Visual uniformity

The back-lit LED troffer can produce a very soft natural light and give a comfortable lighting environment with a radiant cover.

#### 2. LED efficiency

high lumen LED efficacy, 100lm/w(DLC 4.2 standard version)&125LM/W(DLC 4.2 premium version) for option..

#### 3. Luminaire construction

Powder coat painted die-rolling iron housing, with fireproof junction box on the back for electrical connection, PC cover with milky color for lighting distribution.

#### 4. Driver

Universal voltage 100-277VAC with integral 0-10V dimming system, no flicker. For non-dimming requirements, do not connect to dimming control during installation.

#### 5. Cost and energy saving

- 50% more energy saving effect than fluorescent tubes
- low heat generation, extra energy saving effect through reduction of HVAC load.
- Easy installation: only 3 steps in 2 minutes, labor cost saving

#### 6. Long life time

more than 50,000 hours life time and 5 years warranty.

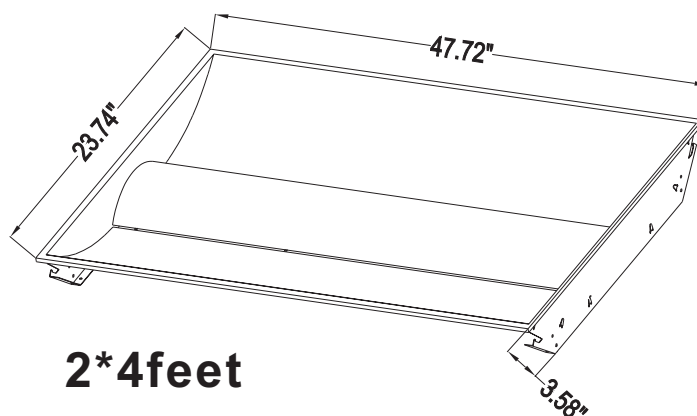
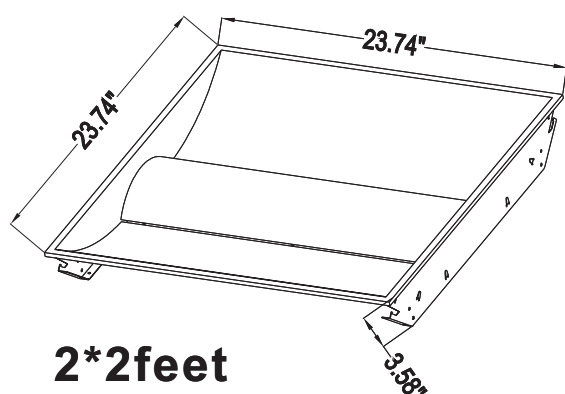
## Specifications

Model	CCT	SIZE (feet)	Color	LED Type	Lumen(lm) (±10%)	CRI	Beam angle	Power(W) (±10%)	Voltage (V)	Dimmer	Current (A)	PF
SC-GLM-040-AW-6060S-01CE	5000K	2*2	cool white		4200 lm	≥80	110°					
SC-GLM-040-AW-6060S-01NE	4000K	2*2	natural white	2835	4140 lm	≥80	110°	40W	AC100-277V 50/60Hz	0-10V	0.5	>0.95
SC-GLM-040-AW-6060S-01WE	3000K	2*2	warm white		4040 lm	≥80	110°					
SC-GLM-030-AW-6060H-01CE	5000K	2*2	cool white		3810 lm	≥80	110°					
SC-GLM-030-AW-6060H-01NE	4000K	2*2	natural white	2835	3750 lm	≥80	110°	30W	AC100-277V 50/60Hz	0-10V	0.5	>0.95
SC-GLM-030-AW-6060H-01WE	3000K	2*2	warm white		3720 lm	≥80	110°					
SC-GLM-040-AW-6060H-01CE	5000K	2*2	cool white		5200 lm	≥80	110°					
SC-GLM-040-AW-6060H-01NE	4000K	2*2	natural white	2835	5080 lm	≥80	110°	40W	AC100-277V 50/60Hz	0-10V	0.5	>0.95
SC-GLM-040-AW-6060H-01WE	3000K	2*2	warm white		5040 lm	≥80	110°					
SC-GLM-050-AW-6012S-01CE	5000K	2*4	cool white		5200 lm	≥80	110°					
SC-GLM-050-AW-6012S-01NE	4000K	2*4	natural white	2835	5100 lm	≥80	110°	50W	AC100-277V 50/60Hz	0-10V	0.5	>0.95
SC-GLM-050-AW-6012S-01WE	3000K	2*4	warm white		5000lm	≥80	110°					
SC-GLM-040-AW-6012H-01CE	5000K	2*4	cool white		5080 lm	≥80	110°					
SC-GLM-040-AW-6012H-01NE	4000K	2*4	natural white	2835	5040 lm	≥80	110°	40W	AC100-277V 50/60Hz	0-10V	0.5	>0.95
SC-GLM-040-AW-6012H-01WE	3000K	2*4	warm white		5000 lm	≥80	110°					
SC-GLM-050-AW-6012H-01CE	5000K	2*4	cool white		6350 lm	≥80	110°					
SC-GLM-050-AW-6012H-01NE	4000K	2*4	natural white	2835	6300 lm	≥80	110°	50W	AC100-277V 50/60Hz	0-10V	0.5	>0.95
SC-GLM-050-AW-6012H-01WE	3000K	2*4	warm white		6250 lm	≥80	110°					

## Applications

General lighting such as offices,hotels,home,shops,hospitals,schools.

## Dimensions (Unit: feet)

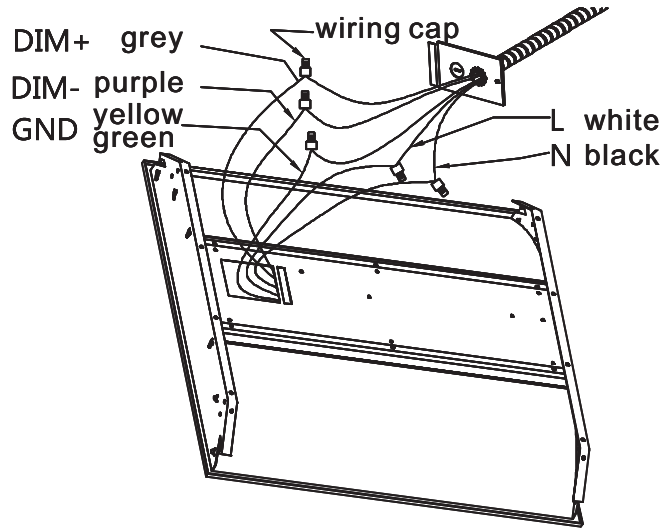


All dimension tolerance is  $\pm 0.5$ mm unless otherwise noted.



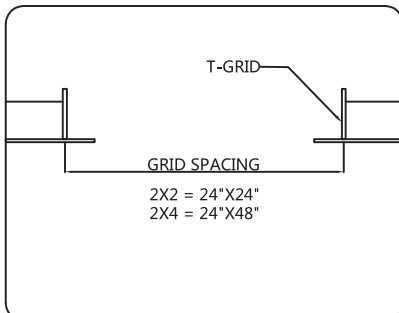
# Electrical Connection

## 2\*2feet /2\*4feet

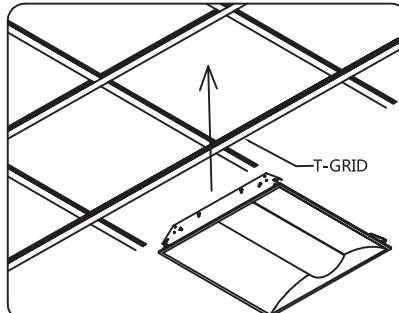


# Installation Instructions

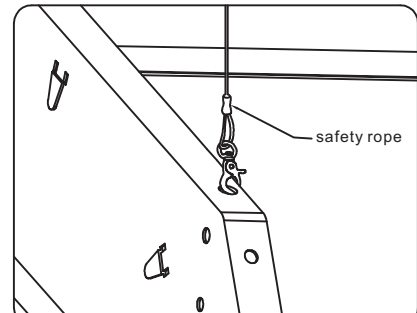
### Embedded Installation



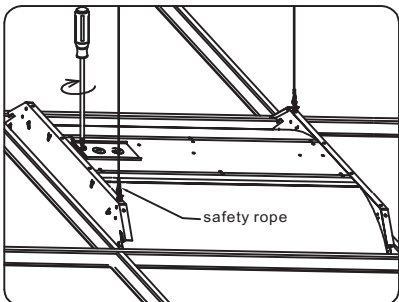
1. Before installation, confirm whether there is enough space;



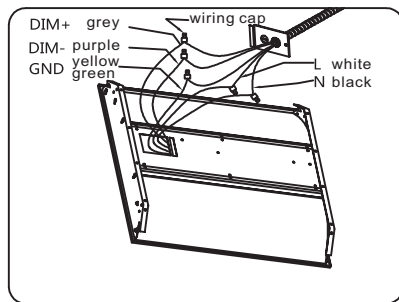
2. Put the lamp into T-GRID;



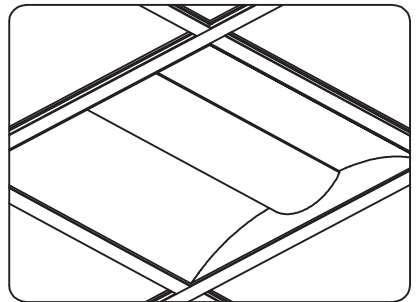
3. Install safety rope in two positions of opposite angles;



4. Unscrew junctin box in the back with tools;



5. Connect wire as figure(wiring cap just for reference);



6. Installation finish;



## Product packaging information:

2*2	2*4
<ul style="list-style-type: none"><li>● Net weight/PC:3.5 kg</li><li>● Gross weight/CTN: 17.6 kg</li><li>● Inner size: L687*W670*H252mm</li><li>● Carton size: L700*W540*H720mm</li><li>● 2pcs/inner box,2 inner boxes/carton.</li></ul>	<ul style="list-style-type: none"><li>● Net weight/PC: 6.9 kg</li><li>● Gross weight/CTN: 18.92 kg</li><li>● Inner size: L1308*W687*H246mm</li><li>● Carton size: L1332*W270*H716mm</li><li>● 2pcs/inner box,1 inner boxes/carton</li></ul>

### Notice

- 1.Please read the specification first, to make sure the service environment matches the condition in the specification before using.
- 2.Please confirm the applicable power supply before using.
- 3.Make sure the switch of product is off before connect to the power supply to prevent electric shock.
- 4.Operation against rules may damage your property even harm to your personal safety.
- 5.Preliminarily estimate required quantity of LED troffer lights, then according to the power rating of single troffer light to figure out the total power and design power supply plan.
- 6.Dangerous high voltage, Non-professionals are not allowed to maintain the products.
- 7.If the exterior flexible cable or wire is damaged, it must exchange by the supplier, its agent or other similar qualified personnels to avoid dangers.