



## UL LED Troffer Light(0-10V Dimming)



### Features

#### 1. Visual uniformity

The back-lit LED troffer can produce a very soft natural light and give a comfortable lighting environment with a radiant cover.

#### 2. LED efficiency

high lumen LED efficacy, up to 100LM/W for cool white and natural white.

#### 3. Luminaire construction

Powder coat painted die-rolling iron housing, with fireproof junction box on the back for electrical connection, PC cover with milky color for lighting distribution.

#### 4. Driver

Universal voltage 100-277VAC with integral 0-10V dimming system, no flicker. For non-dimming requirements, do not connect to dimming control during installation.

#### 5. Cost and energy saving

- 50% more energy saving effect than fluorescent tubes
- low heat generation, extra energy saving effect through reduction of HVAC load.
- Easy installation: only 3 steps in 2 minutes, labor cost saving

#### 6. long life time

more than 50,000 hours life time and 5 years warranty.



## Specifications

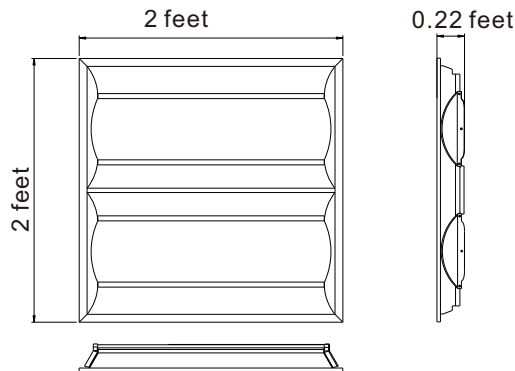
Model	CCT	SIZE (feet)	Color	LED Type	Lumen(lm) (±10%)	CRI	Beam angle	Power(W) (±10%)	Voltage (V)	Dimmer	Current (A)	PF
SC-GLN-040-AW-01CW	5000K	2*2	cool white		4330 lm	≥80	110°					
SC-GLN-040-AW-01NW	4000K	2*2	natural white	2835	4305 lm	≥80	110°	40W	AC100-277V 50/60Hz	0-10V	0.5	>0.95
SC-GLN-040-AW-01WW	3000K	2*2	warm white		3678 lm	≥80	110°					
SC-GLN-055-AW-01CW	5000K	2*4	cool white		5486 lm	≥80	110°					
SC-GLN-055-AW-01NW	4000K	2*4	natural white	2835	5516 lm	≥80	110°	55W	AC100-277V 50/60Hz	0-10V	0.5	>0.95
SC-GLN-055-AW-01WW	3000K	2*4	warm white		4924 lm	≥80	110°					

## Applications

General lighting such as offices,hotels,home,shops,hospitals,schools.

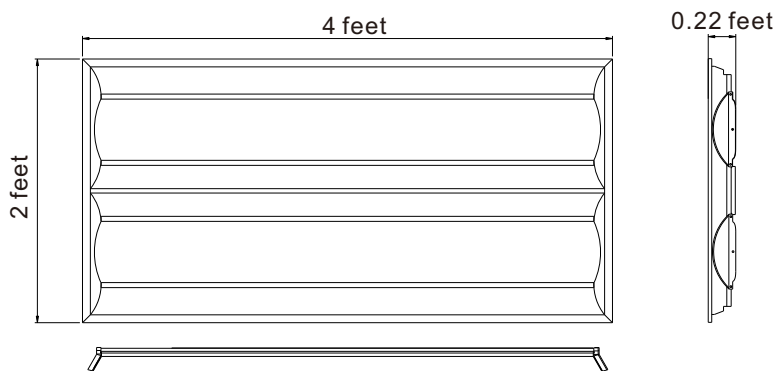
## Dimensions (Unit: feet)

### 2x2 feet



All dimension tolerance is  $\pm 0.5$ mm unless otherwise noted.

### 2x4 feet

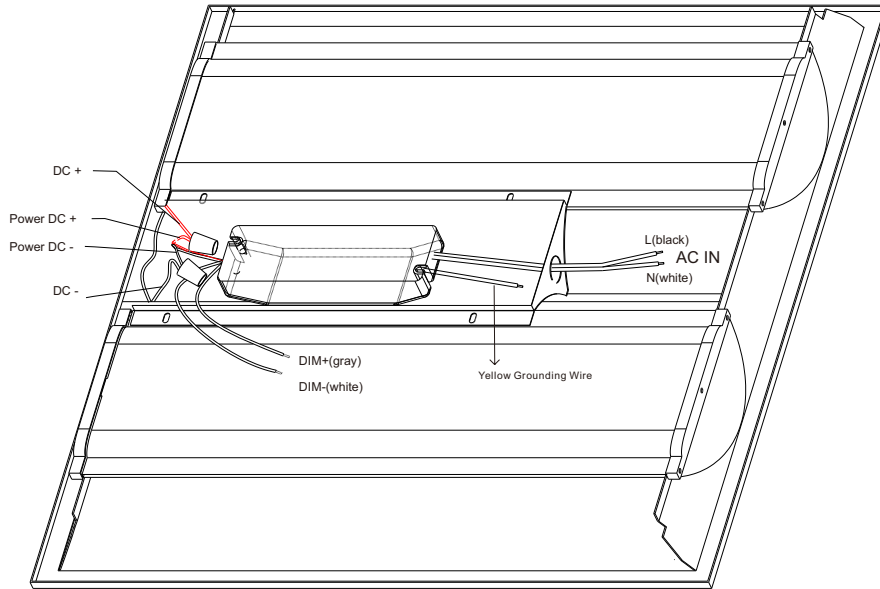


All dimension tolerance is  $\pm 0.5$ mm unless otherwise noted.

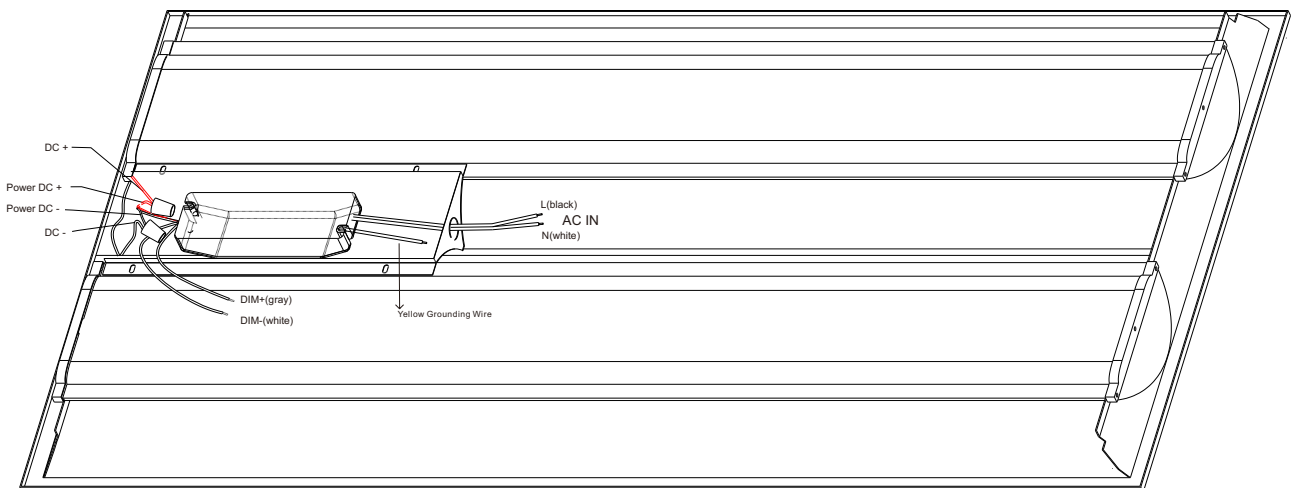


## Electrical Connection

### feet 2'2



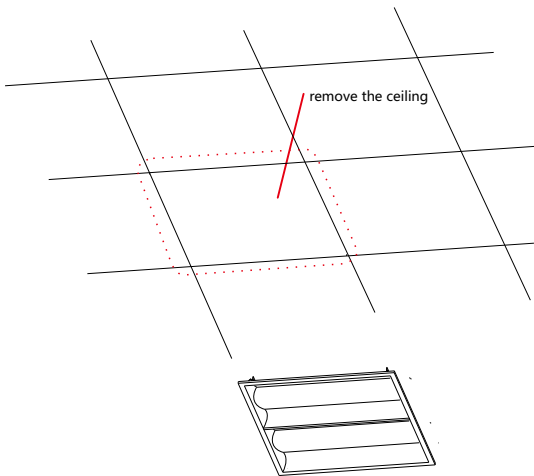
### feet 2'4



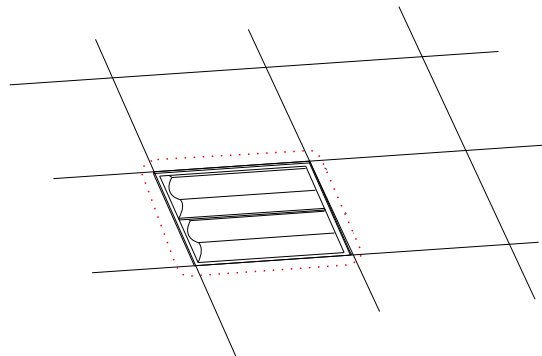


## Installation Instructions

### Embedded Installation



1. The lamp was assembled.



2. Lamp is installed on the ceiling.

### Product packaging information:

40W	55W
<ul style="list-style-type: none"> <li>● Net weight/PC: 4.2 kg</li> <li>● Gross weight/CTN: 21.7 kg</li> <li>● Inner size: 710X710X184mm</li> <li>● Carton size: 730X392X724mm</li> <li>● 1pcs/inner box, 4 inner boxes/carton.</li> </ul>	<ul style="list-style-type: none"> <li>● Net weight/PC: 7.6 kg</li> <li>● Gross weight/CTN: 20.2 kg</li> <li>● Inner size: 1316X707X178mm</li> <li>● Carton size: 1340X196X731mm</li> <li>● 1pcs/inner box, 2 inner boxes/carton</li> </ul>

### Notice

1. Please read the specification first, to make sure the service environment matches the condition in the specification before using.
2. Please confirm the applicable power supply before using.
3. Make sure the switch of product is off before connect to the power supply to prevent electric shock.
4. Operation against rules may damage your property even harm to your personal safety.
5. Preliminarily estimate required quantity of LED troffer lights, then according to the power rating of single troffer light to figure out the total power and design power supply plan.
6. Dangerous high voltage, Non-professionals are not allowed to maintain the products.
7. If the exterior flexible cable or wire is damaged, it must exchange by the supplier, its agent or other similar qualified personnels to avoid dangers.