



# iLight LED Corn Lamp IP64



12W



20W



27W



36W



45W



54W

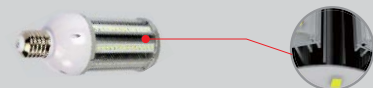


## Features

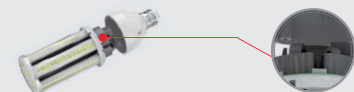
1. Max. 120lm/W. Epistar chip 2835.



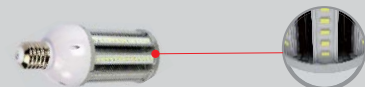
2. Pure Aluminum 1070, better heat dissipation .



3. Driver sealed with thermal paste, lower working temperature and waterproof.



4. Cove and holes surrounded for water flowing away



5. Transparent PC cover to protect LED.



6. IP64



7. Flame retardant material.



8. Replace HPS, MHL, HQL, HID, CFL Lamps, applicable in enclosed illuminaires

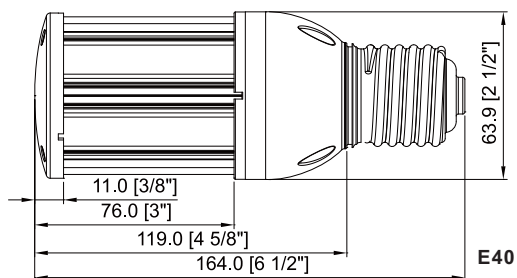


## Specifications

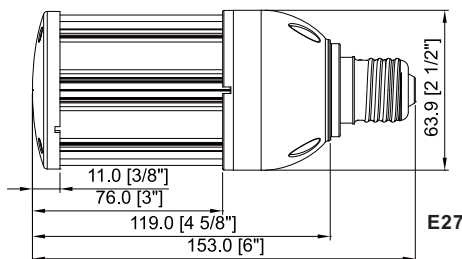
Model Number	Color	LED Type	LED Quantity	Base	Light Output (lumen)	Beam Angle (degrees)	CCT	Max.Current (Amps)	Power (W)	Voltage
FR-012-AW-W-01	White	2835 LED	70	E27	1400	330	5500-7000K	0.16	12	100-277V AC
FR-012-AW-NW-01	Natural white	2835 LED	70	E27	1300	330	4000K-4500K	0.16	12	100-277V AC
FR-012-AW-WW-01	warm white	2835 LED	70	E27	1220	330	2700-3200K	0.16	12	100-277V AC
FR-012-AW-W-02	White	2835 LED	70	E40	1400	330	5500-7000K	0.16	12	100-277V AC
FR-012-AW-NW-02	Natural white	2835 LED	70	E40	1300	330	4000K-4500K	0.16	12	100-277V AC
FR-012-AW-WW-02	warm white	2835 LED	70	E40	1220	330	2700-3200K	0.16	12	100-277V AC
FR-020-AW-W-01	White	2835 LED	98	E27	2300	330	5500-7000K	0.25	20	100-277V AC
FR-020-AW-NW-01	Natural white	2835 LED	98	E27	2050	330	4000K-4500K	0.25	20	100-277V AC
FR-020-AW-WW-01	warm white	2835 LED	98	E27	1900	330	2700-3200K	0.25	20	100-277V AC
FR-020-AW-W-02	White	2835 LED	98	E40	2300	330	5500-7000K	0.25	20	100-277V AC
FR-020-AW-NW-02	Natural white	2835 LED	98	E40	2050	330	4000K-4500K	0.25	20	100-277V AC
FR-020-AW-WW-02	warm white	2835 LED	98	E40	1900	330	2700-3200K	0.25	20	100-277V AC
FR-027-AW-W-01	White	2835 LED	108	E27	3200	330	5500-7000K	0.3	27	100-277V AC
FR-027-AW-NW-01	Natural white	2835 LED	108	E27	2800	330	4000K-4500K	0.3	27	100-277V AC
FR-027-AW-WW-01	warm white	2835 LED	108	E27	2620	330	2700-3200K	0.3	27	100-277V AC
FR-027-AW-W-02	White	2835 LED	108	E40	3200	330	5500-7000K	0.3	27	100-277V AC
FR-027-AW-NW-02	Natural white	2835 LED	108	E40	2800	330	4000K-4500K	0.3	27	100-277V AC
FR-027-AW-WW-02	warm white	2835 LED	108	E40	2620	330	2700-3200K	0.3	27	100-277V AC
FR-036-AW-W-05	White	2835 LED	135	E40	4200	330	5500-7000K	0.4	36	100-277V AC
FR-036-AW-NW-04	Natural white	2835 LED	135	E40	3900	330	4000K-4500K	0.4	36	100-277V AC
FR-036-AW-WW-04	warm white	2835 LED	135	E40	3450	330	2700-3200K	0.4	36	100-277V AC
FR-036-AW-W-06	White	2835 LED	135	E27	4200	330	5500-7000K	0.4	36	100-277V AC
FR-036-AW-NW-05	Natural white	2835 LED	135	E27	3900	330	4000K-4500K	0.4	36	100-277V AC
FR-036-AW-WW-05	warm white	2835 LED	135	E27	3450	330	2700-3200K	0.4	36	100-277V AC
FR-045-AW-W-01	White	2835 LED	180	E40	5400	330	5500-7000K	0.5	45	100-277V AC
FR-045-AW-NW-01	Natural white	2835 LED	180	E40	5100	330	4000K-4500K	0.5	45	100-277V AC
FR-045-AW-WW-01	warm white	2835 LED	180	E40	4500	330	2700-3200K	0.5	45	100-277V AC
FR-045-AW-W-02	White	2835 LED	180	E27	5400	330	5500-7000K	0.5	45	100-277V AC
FR-045-AW-NW-02	Natural white	2835 LED	180	E27	5100	330	4000K-4500K	0.5	45	100-277V AC
FR-045-AW-WW-02	warm white	2835 LED	180	E27	4500	330	2700-3200K	0.5	45	100-277V AC
FR-054-AW-W-01	White	2835 LED	216	E40	6400	330	5500-7000K	0.6	54	100-277V AC
FR-054-AW-NW-01	Natural white	2835 LED	216	E40	6200	330	4000K-4500K	0.6	54	100-277V AC
FR-054-AW-WW-01	warm white	2835 LED	216	E40	5400	330	2700-3200K	0.6	54	100-277V AC
FR-054-AW-W-02	White	2835 LED	216	E27	6400	330	5500-7000K	0.6	54	100-277V AC
FR-054-AW-NW-02	Natural white	2835 LED	216	E27	6200	330	4000K-4500K	0.6	54	100-277V AC
FR-054-AW-WW-02	warm white	2835 LED	216	E27	5400	330	2700-3200K	0.6	54	100-277V AC



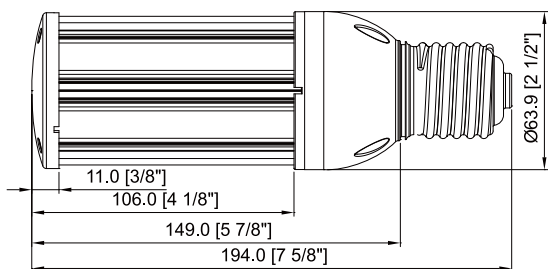
Dimensions (Unit: mm)



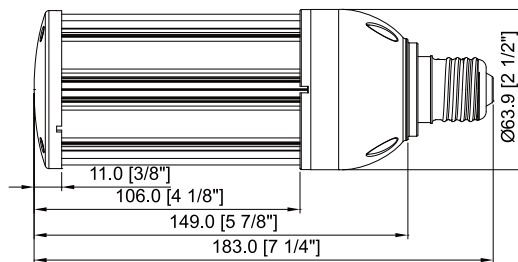
12W



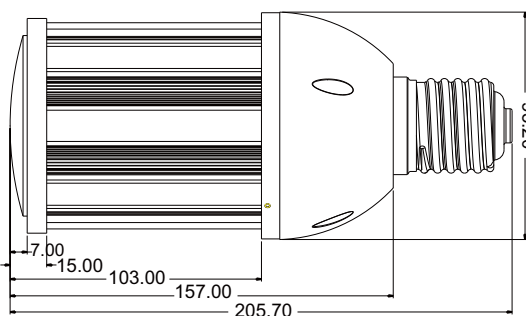
E27



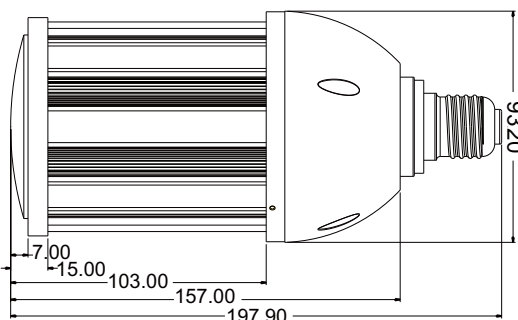
E40



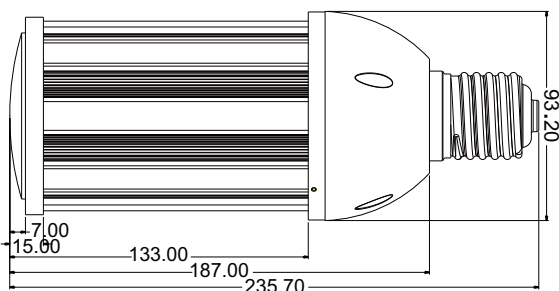
E27



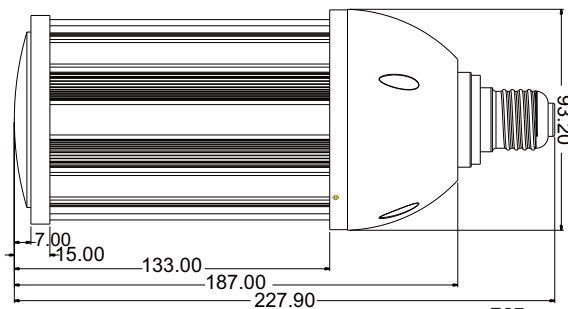
E40



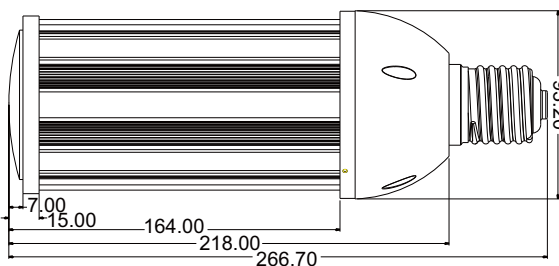
E27



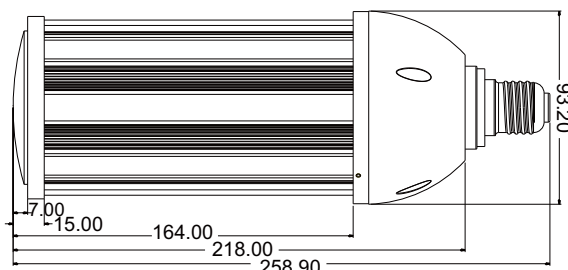
E40



E27



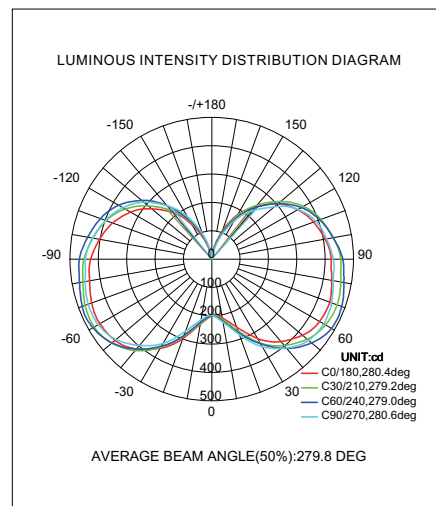
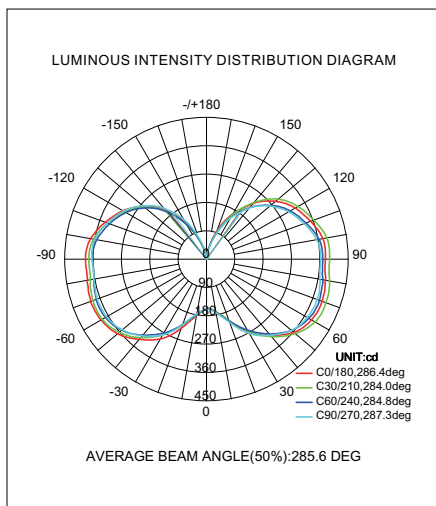
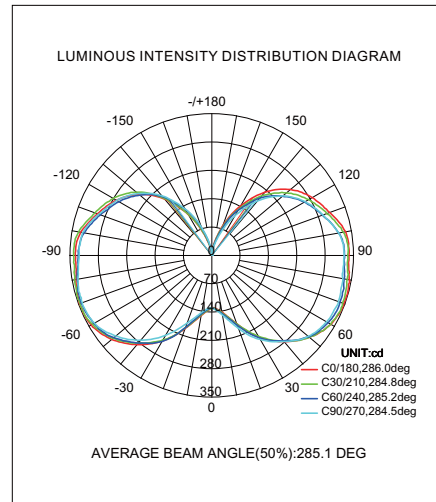
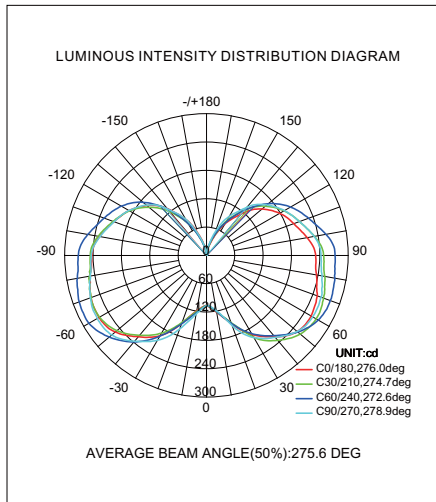
E40



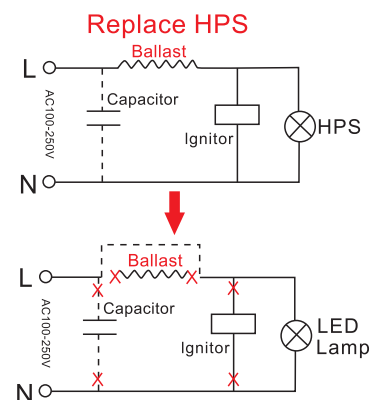
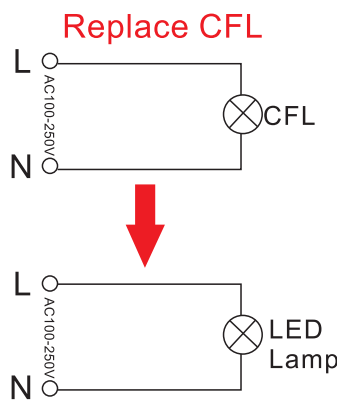
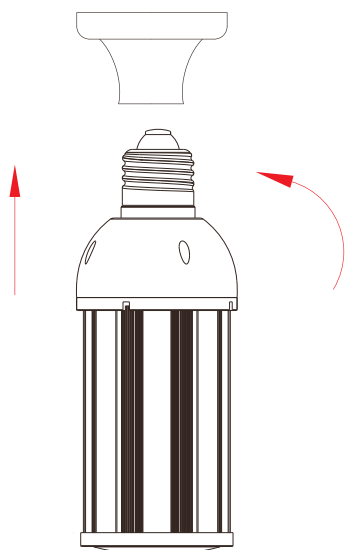
E27



## Luminous Intensity Distribution Diagram



## Installation







## Main Applications



Widely use in slow lane, narrow lane, residential area, scenic spot, park, square and other public places for indoor or outdoor lighting and replace traditional sodium lamp and energy-saving lamp.





## Packing information:

12W Inner box dimension(K3A paper):75\*75\*185MM  
Product gross weight:0.28KG  
Product net weight:0.32KG  
Carton box dimension(A=K paper, 16 PCS inside):315\*315\*220MM  
Carton box gross weight:5.12KG

20W Inner box dimension(K3A paper):75\*75\*215MM  
Product gross weight:0.34KG  
Product net weight:0.39KG  
Carton box dimension(A=K paper, 16 PCS inside):315\*315\*250MM  
Carton box gross weight:6.24KG

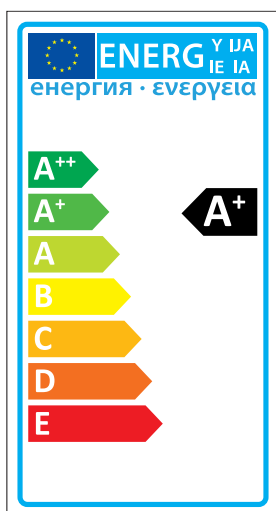
27W Inner box dimension(K3A paper):120\*120\*240MM  
Product gross weight:0.75KG  
Product net weight:0.64KG  
Carton box dimension(A=K paper, 24 PCS inside):510\*380\*500MM  
Carton box gross weight:18.9KG

36W Inner box dimension(K3A paper):120\*120\*260mm  
Product gross weight:0.83KG  
Product net weight:0.72KG  
Carton box dimension(A=K paper, 24 PCS inside):510\*380\*560mm  
Carton box gross weight:20.8KG

45W Inner box dimension(K3A paper):120\*120\*290mm  
Product gross weight:0.92KG  
Product net weight:0.8KG  
Carton box dimension(A=K paper, 24 PCS inside):510\*380\*620mm  
Carton box gross weight:23KG

54W Inner box dimension(K3A paper):120\*120\*290mm  
Product gross weight:0.97KG  
Product net weight:0.85KG  
Carton box dimension(A=K paper, 24 PCS inside):510\*380\*620mm  
Carton box gross weight:24.3KG

## EU Energy Efficiency Label



### Notice

1. Please read the specification first, to make sure the service environment matches the condition in the specification before using.
2. Please confirm the applicable power supply before using.
3. Use ambient environment:  $-35^{\circ}\text{C}$  to  $45^{\circ}\text{C}$ .
4. Make sure the switch of product is off before connect to the power supply to prevent electric shock.
5. Operation against rules may damage your property even harm to your personal safety.
6. Dangerous high voltage, Non-professionals are not allowed to maintain the products.