



180 Degree Corn Lamp



Description

1. Unique cooling design in conjunction with fan ensure optimized cooling effect;
2. Can be rotated in 350degree so that make sure light in any direction. 180degree light beam delivers a high light output max. 125lm/W;
3. LED expose directly, ensure max. lighting effect of lamp;
4. Can be used in enclosed fixture, operating temperature $-20^{\circ}\text{C} \sim 70^{\circ}\text{C}$;
5. Lifespan exceed 50,000 hours.

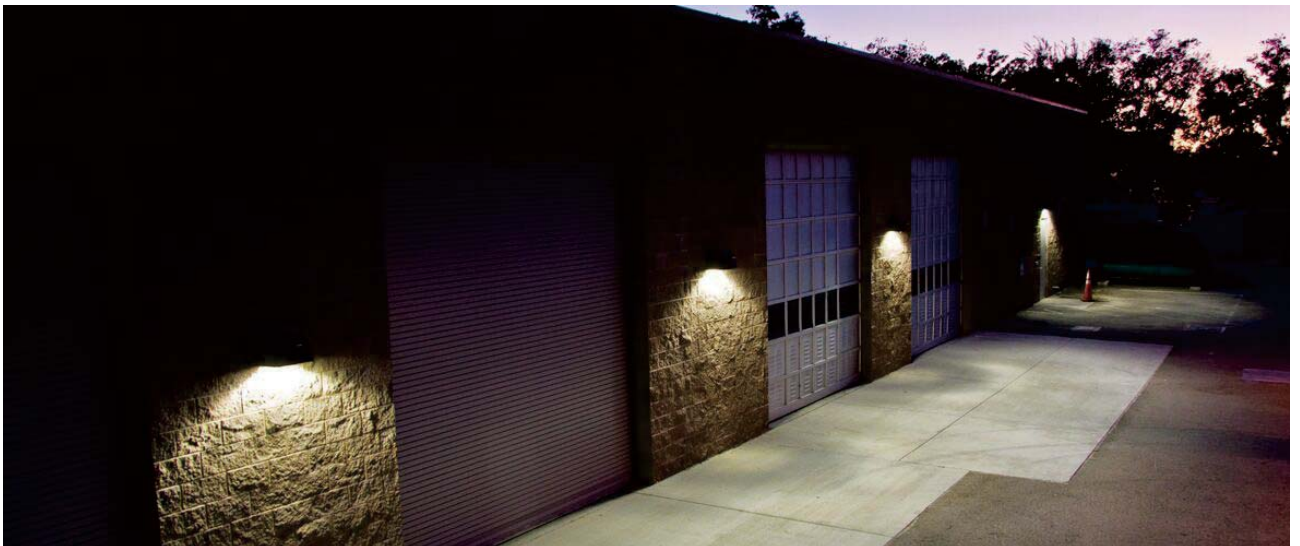
Features

1. Adopt aluminum alloy as main body material, and adopt extrusion profile process;
2. Unique cooling design in junction with fan, excellent thermal management, ensure long lifespan of LEDs;
3. High-efficiency and energy-saving LED driver.



Application

Suitable for Shoebox, Street light, Flood light, etc.

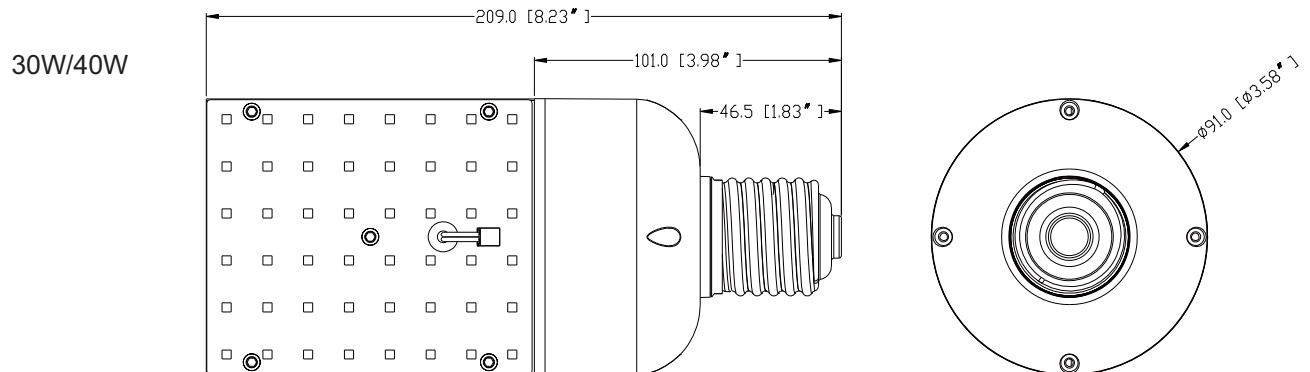


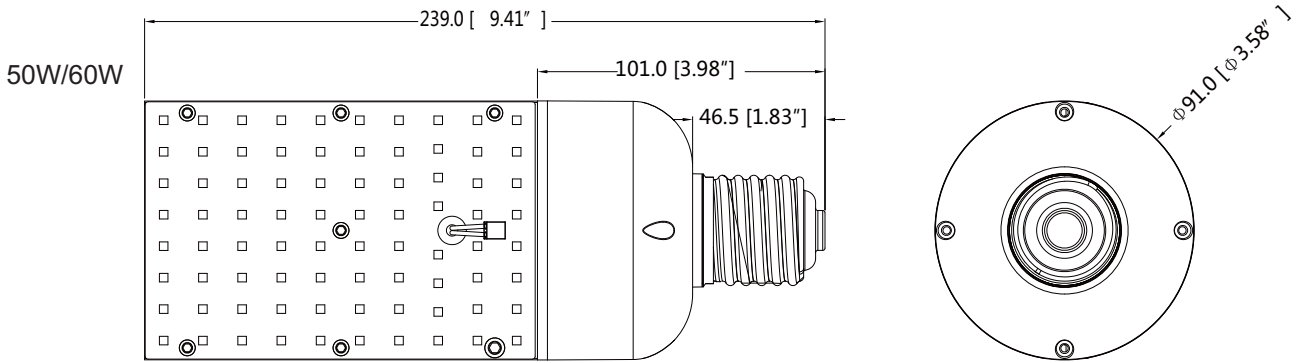


Technical parameters

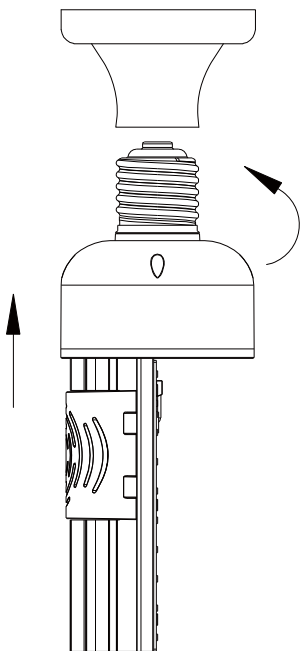
| Model | CCT | Color | Lumen(lm) (±10%) | Beam (angle) | Power(w) (±10%) | Voltage, Frequency | Current | CRI | PF |
|-------------------|-------|---------------|---------------------|-----------------|--------------------|------------------------|---------|------|------|
| SR39-030-AW-WW-01 | 3000K | Warm White | 3200 | 120° | 30 | 100-277V AC 50/60Hz | 0.33A | > 80 | ≥0.9 |
| SR39-030-AW-NW-01 | 4000K | Neutral white | 3400 | | | | | | |
| SR39-030-AW-W-01 | 5000K | White | 3600 | | | | | | |
| SR39-040-AW-WW-01 | 3000K | Warm White | 4230 | 120° | 40 | 100-277V AC 50/60Hz | 0.43A | > 80 | ≥0.9 |
| SR39-040-AW-NW-01 | 4000K | Neutral white | 4750 | | | | | | |
| SR39-040-AW-W-01 | 5000K | White | 4500 | | | | | | |
| SR39-050-AW-WW-01 | 3000K | Warm White | 5680 | 120° | 50 | 100-277V AC 50/60Hz | 0.53A | > 80 | ≥0.9 |
| SR39-050-AW-NW-01 | 4000K | Neutral white | 6020 | | | | | | |
| SR39-050-AW-W-01 | 5000K | White | 6370 | | | | | | |
| SR39-060-AW-WW-01 | 3000K | Warm White | 6700 | 120° | 60 | 100-277V AC 50/60Hz | 0.63A | > 80 | ≥0.9 |
| SR39-060-AW-NW-01 | 4000K | Neutral white | 7110 | | | | | | |
| SR39-060-AW-W-01 | 5000K | White | 7530 | | | | | | |

Dimension(Unit:mm)

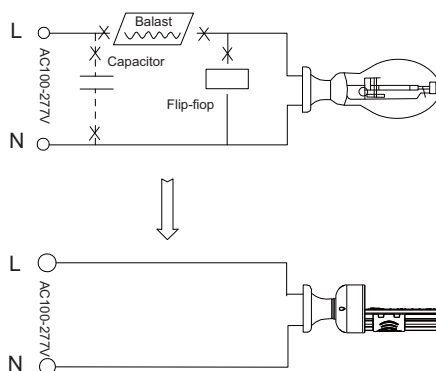




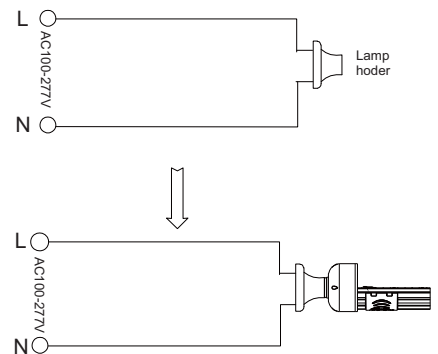
Installation



Step 1
Remove old ballast or disconnect from existing lamp holder. Remove and dispose of ballast in correct manner. Install new LED replacement lamp. please make sure the old fitting is correctly earth. (North America 100-277VAC)

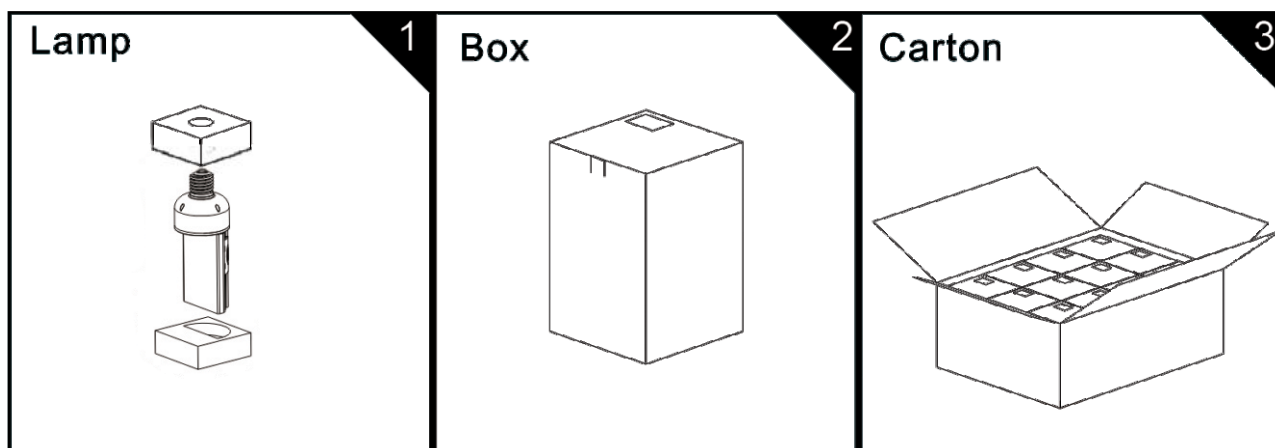


Step 2
Reconnect directly to the existing lamp holder. Install new LED replacement lamp. please make sure the old fitting is correctly earth. (North America 100-277VAC)



Packing information

| Wattage | Inner box size | N.W/lamp | G.W/box (lbs=kg/2.2) | G.W/carton (lbs=kg/2.2) | Carton size | Quantity/Carton |
|---------|----------------|----------|----------------------|-------------------------|---------------|-----------------|
| 30W | 115*115*238mm | 0.76KG | 0.13 | 11.8 | 490*365*250mm | 12pcs |
| 40W | 115*115*238mm | 0.76KG | 0.13 | 11.8 | 490*365*250mm | 12pcs |
| 50W | 115*115*268mm | 0.86KG | 0.14 | 13.2 | 490*365*280mm | 12pcs |
| 60W | 115*115*268mm | 0.86KG | 0.14 | 13.2 | 490*365*280mm | 12pcs |



Installation instructions

1. Power off before installation;
2. Install the lamp in E39 or E40;
3. Adjust the lamp body direction to needing orientation lighting direction;
4. Connect AC power to lighten the lamp.

Notice

1. Please read the specification first, to make sure the service environment matches the condition in the specification before using.
2. Please confirm the applicable power supply before using.
3. Make sure the switch of product is off before connect to the power supply to prevent electric shock.
4. Operation against rules may damage your property even harm to your personal safety.
5. Preliminarily estimate required quantity of LED lights, then according to the power rating of single lamp to figure out the total power and design power supply plan.
6. Dangerous high voltage, Non-professionals are not allowed to maintain the products.
7. If the exterior flexible cable or wire is damaged, it must exchange by the supplier, its agent or other similar qualified personnels to avoid dangers