



# 180 Degree Corn Lamp



## Description

1. Unique cooling design in conjunction with fan ensure optimized cooling effect;
2. Can be rotated in 350degree so that make sure light in any direction. 180degree light beam delivers a high light output max. Brightness 125lm/W;
3. Employ PC lamp cover, resistant to high temperature and fire-proof;
4. Can be used in enclosed fixture, operating temperature -20℃~70℃;
5. Lifespan exceed 50,000 hours.

## Features

1. Adopt aluminum alloy as main body material, and adopt extrusion profile process;
2. Unique cooling design in junction with fan, excellent thermal management, ensure long lifespan of LEDs;
3. High-efficiency and energy-saving LED driver.



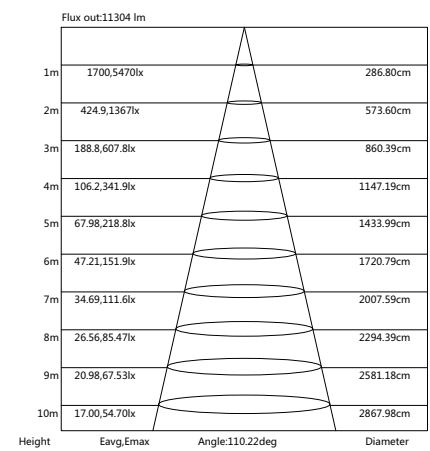
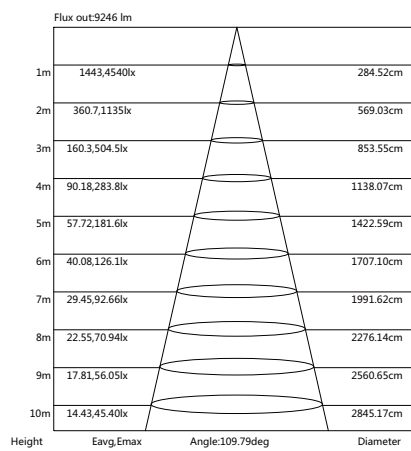
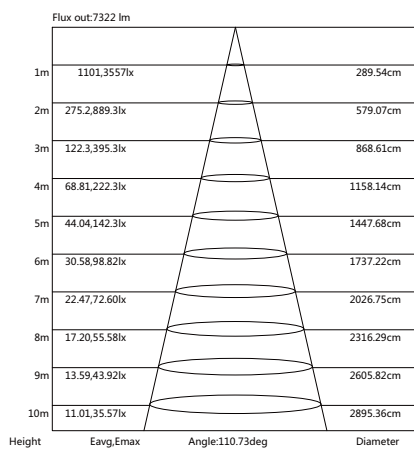
## Application

Suitable for Shoebox, Street light, Flood light, etc.





## Illumination

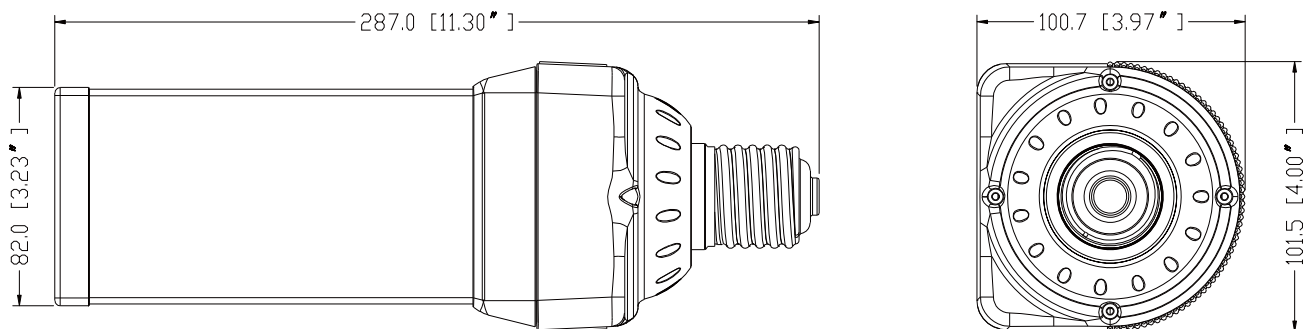


## Technical parameters

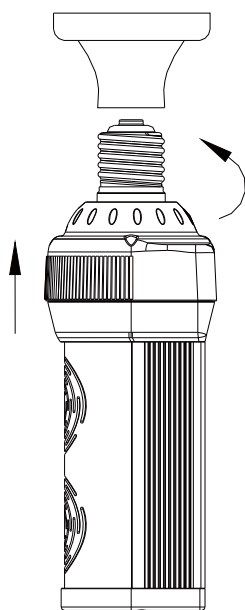
Model	CCT	Color	Lumen(lm) (±10%)	LED Type &Qty	Beam (angle)	Power(w) (±10%)	Voltage, Frequency	Current	CRI	PF
SR39-080-AW-WW-01	3000K	Warm White	9240	SMD3030 136pcs	110°	80	100-277V AC 50/60Hz	1.52A	> 80	≥0.9
SR39-080-AW-NW-01	4000K	Neutral white	9875							
SR39-080-AW-W-01	5000K	White	10088							
SR39-100-AW-WW-01	3000K	Warm White	11790	SMD3030 168pcs	110°	100	100-277V AC 50/60Hz	1.9A	> 80	≥0.9
SR39-100-AW-NW-01	4000K	Neutral white	12660							
SR39-100-AW-W-01	5000K	White	12500							
SR39-120-AW-WW-01	3000K	Warm White	14148	SMD3030 200pcs	110°	120	100-277V AC 50/60Hz	2.3A	> 80	≥0.9
SR39-120-AW-NW-01	4000K	Neutral white	15370							
SR39-120-AW-W-01	5000K	White	15300							



## Dimension(Unit:mm)

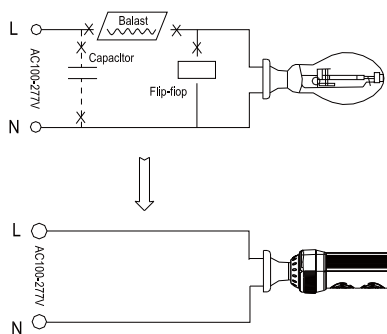


## Installation



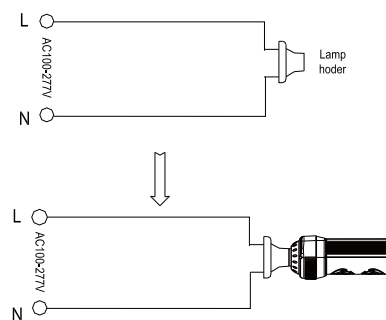
### Step 1

Remove old ballast or disconnect from existing lamp holder. Remove and dispose of ballast in correct manner. Install new LED replacement lamp. please make sure the old fitting is correctly earth. (North America 100-277VAC)



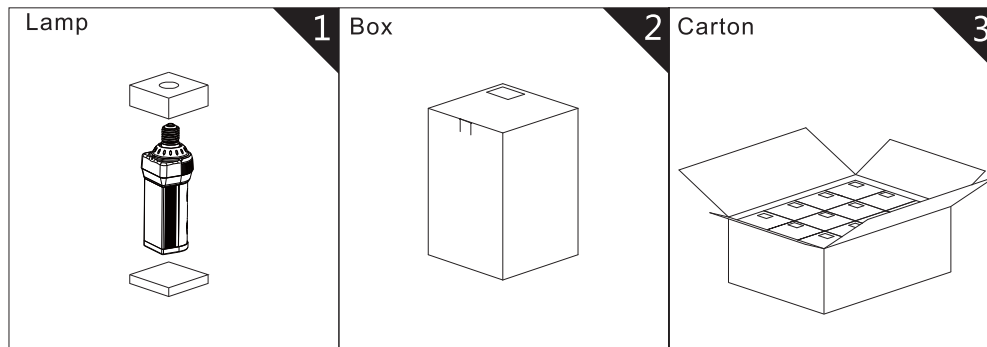
### Step 2

Reconnect directly to the existing lamp holder. Install new LED replacement lamp. please make sure the old fitting is correctly earth. (North America 100-277VAC)



## Packing information

Wattage	Inner box size	N.W/lamp	G.W/box (lbs=kg/2.2)	G.W/carton (lbs=kg/2.2)	Carton size	Quantity/carton
80W	102X102X330mm	1.33KG	0.15KG	19.0KG	438X330X335mm	12pcs
100W	102X102X330mm	1.33KG	0.15KG	19.0KG	438X330X335mm	12pcs
120W	102X102X330mm	1.34KG	0.15KG	19.1KG	438X330X335mm	12pcs



## Installation instructions

1. Power off before installation;
2. Install the lamp in E39 or E40;
3. Adjust the lamp body direction to needing orientation lighting direction;
4. Connect AC power to lighten the lamp.

## Notice

1. Please read the specification first, to make sure the service environment matches the condition in the specification before using.
2. Please confirm the applicable power supply before using.
3. Make sure the switch of product is off before connect to the power supply to prevent electric shock.
4. Operation against rules may damage your property even harm to your personal safety.
5. Preliminarily estimate required quantity of LED lights, then according to the power rating of single lamp to figure out the total power and design power supply plan.
6. Dangerous high voltage, Non-professionals are not allowed to maintain the products.
7. If the exterior flexible cable or wire is damaged, it must exchange by the supplier, its agent or other similar qualified personnels to avoid dangers