



Ultra-slim Flood Light/30W FL-030-AW-S



Description:

Flood light series light up the future of industry energy-saving lighting in world. This light save energy at least 50% compared to high intensity discharge lamp, and it also reduce maintenance cost and carbon emission.

The flood light is combined with LED cutting-edge technology and unique optical design to reach lighting effect equal to other traditional lighting source.

Features:

1. Adopt waterproof design, no adhesive to cause leakage of aging, easy to disassemble;
2. Die-casting aluminum alloy lamp body, high toughened glass cover; solid and durable; corrosion-proof;
3. High efficiency thermal management, LEDs and power supply work in low temperature, and high stability of continuous operating.
4. Can on-off frequently, no flicker and glare; high CRI; Compact appearance, novel design, easy to install and transport.
5. Compact appearance, novel design, convenient to install and transport .

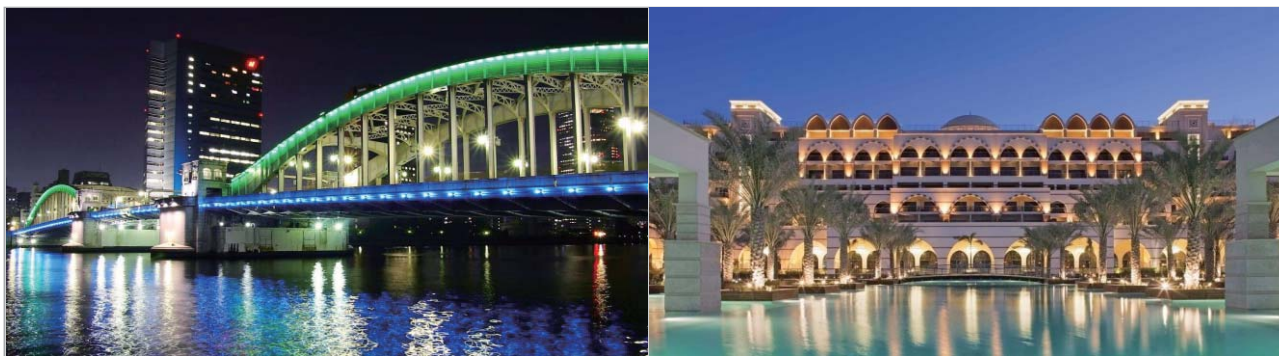


Technical parameters:

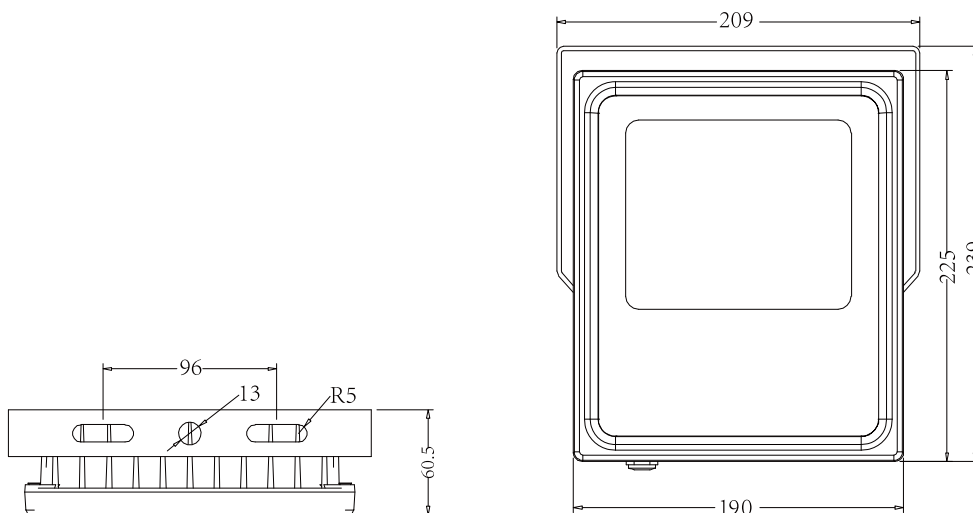
Model	CCT	Color	LED Type	LED Qty.	Lumen(lm) (±10%)	Power(w) (±10%)	Voltage, Frequency	Beam (angle°)	CRI	PF
FL-030-AW-W-S	5500-6500K	White	COB	1pcs	2500	30	AC100-240V 50/60Hz	120°	> 70	≥0.9
FL-030-AW-NW-S	4000-4500K	Neutral White		1pcs	2520	30		120°	> 70	≥0.9
FL-030-AW-WW-S	2700-3200K	Warm White		1pcs	2430	30		120°	> 70	≥0.9

Application :

Mainly applied in outdoor flood lighting, building decoration, industry, sports center, outdoor stadium, port, parking lot, and road if there is street light distribution system.



Dimension (Unit:mm):



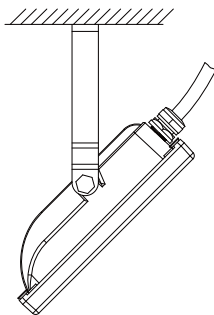


Installation :

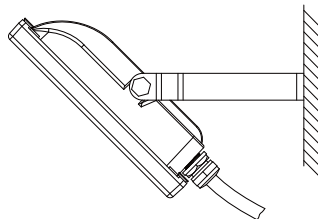


Step1: Drill two holes of 10mm diameter

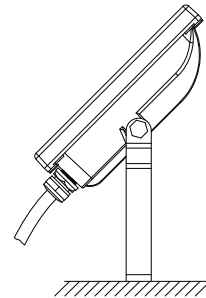
1.Ceiling installation



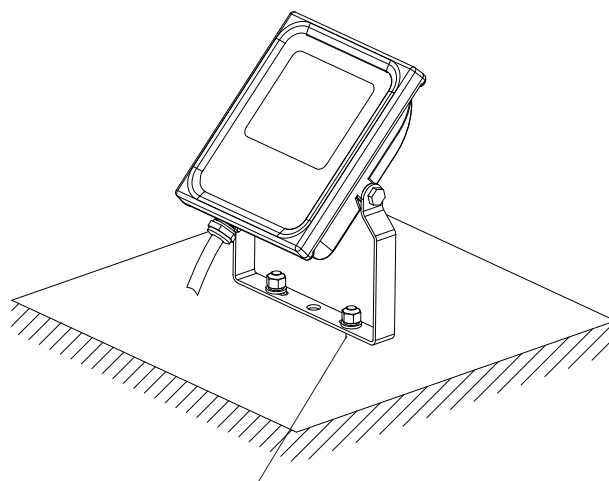
2. Wall mounted installation



3. Pedestal installation



Step2: Install the bracket on the installing surface



Step3: Fix the bracket and light together with bolts and nuts



Packing information :

Net weight: 1.7 KG Cross weight 1.8KG
Packing box dimension: 219*78*258mm
Outer carton dimension: 533*455*255mm (12 pcs/carton)
Total weight:22.7KG

Installation requirement:

1. Please prepare two sets of bolts to install the light;
2. Power off before installation;
3. Make sure the installed surface can endure the weight of light, and fix the light on the installed surface securely (according to installation diagram);
4. Connect light wire to power wire, seal the joint with insulation.

Notice :

1. Please read the specification first, to make sure the service environment matches the conditions in the specification before using;
2. Please confirm input voltage, frequency before using;
3. The lamp must be installed by professionals;
4. The lamp can't be used if the power wire, housing are damaged;
5. The lamp can't be maintained by non-professionals;
6. If the exterior flexible cable or wire is damaged, it must be exchanged by the supplier, its agent or other relevant qualified personnel to avoid dangers;
7. Using environment: -20°C-40°C.