



Ultra-slim RGB Flood Light FL-XX-AW-RGB-S-01



Description:

Flood light series light up the future of industry energy-saving lighting in world. This light save energy at least 50% compared to high intensity discharge lamp, and it also reduce maintenance cost and carbon emission. The flood light is combined with LED cutting-edge technology and unique optical design to reach lighting effect equal to other traditional lighting source.

Features:

RGB flood light use 24 key wireless controller, 16 colors optional, dimmable for each color

4 built-in dynamic modes

IR Remote control key function

Color key: display corresponding color (dimmable, 4 grade dimming level)

FLASH key: seven colors jump change

STROBE key: seven colors cycle gradual change

FADE key: single color gradual change

SMOOTH key: RGB gradual change

OFF key: turn off

ON key: turn on

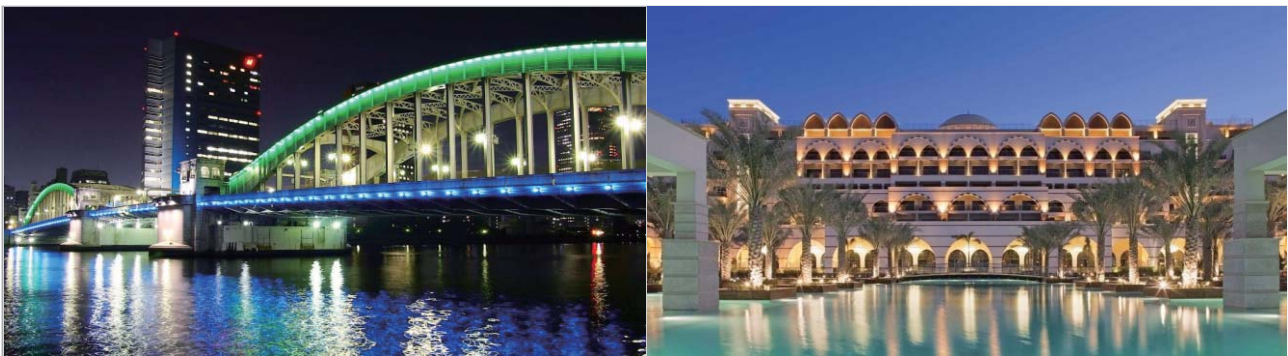


Technical parameters:

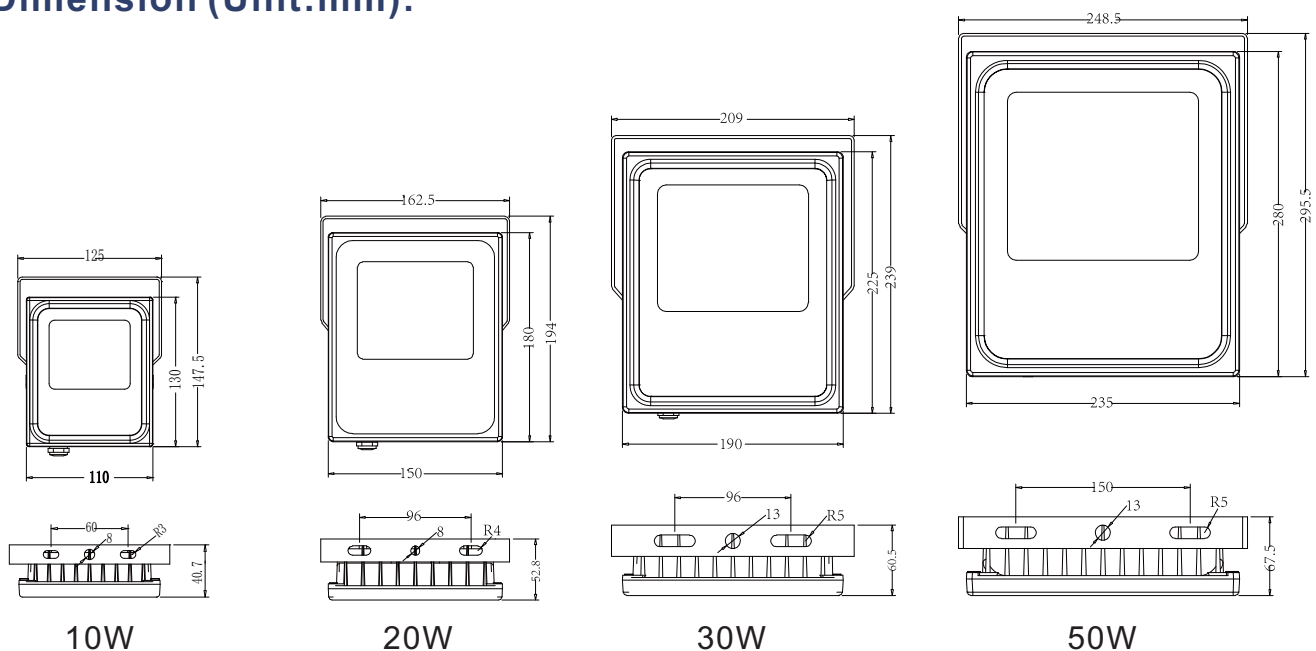
Model	Color	LED Type	LED Qty.	Lumen(lm) (±10%)	Power(w) (±10%)	Voltage, Frequency	Beam (angle°)	CRI	PF
FL-010-AW-RGB-S-01	RGB	COB	1pcs	67	10	AC100-240V 50/60Hz	120°	> 70	≥0.9
FL-020-AW-RGB-S-01	RGB		1pcs	138	20		120°	> 70	≥0.9
FL-030-AW-RGB-S-01	RGB		1pcs	169	30		120°	> 70	≥0.9
FL-050-AW-RGB-S-01	RGB		1pcs	205	50		120°	> 70	≥0.9
FL-010-AW-RGB-S-02	RGB	COB	1pcs	67	10	AC100-240V 50/60Hz	120°	> 70	≥0.9
FL-020-AW-RGB-S-02	RGB		1pcs	138	20		120°	> 70	≥0.9
FL-030-AW-RGB-S-02	RGB		1pcs	169	30		120°	> 70	≥0.9
FL-050-AW-RGB-S-02	RGB		1pcs	205	50		120°	> 70	≥0.9

Application:

Mainly applied in outdoor flood lighting, building decoration, industry, sports center, outdoor stadium, port, parking lot, and road if there is street light distribution system.

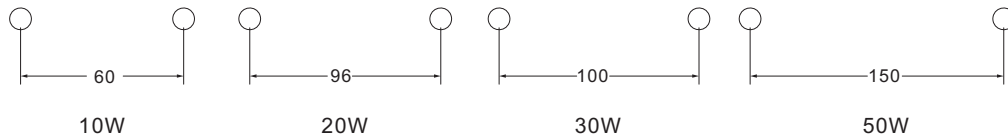


Dimension (Unit:mm):



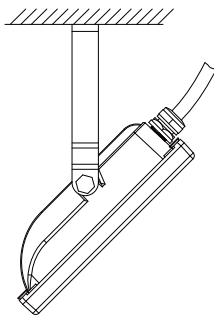


Installation :

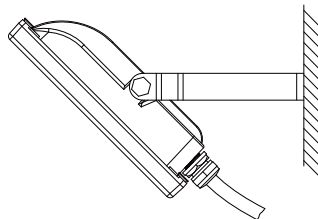


Step1: Drill two holes of 6.0mm/8mm/10mm/12mm diameter

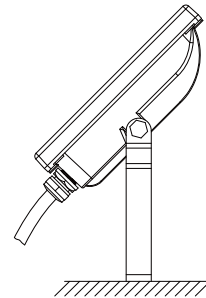
1.Ceiling installation



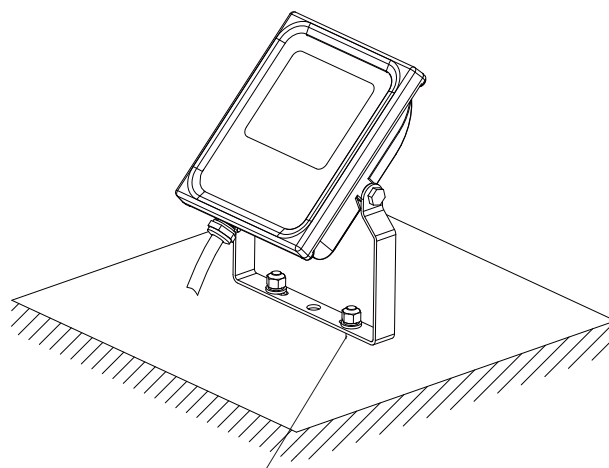
2. Wall mounted installation



3. Pedestal installation



Step2: Install the bracket on the installing surface



Step3: Fix the bracket and light together with bolts and nuts



Packing information :

Net weight: 0.70 KG Cross weight 0.75KG
 Packing box dimension: 137*62*195mm
 Outer carton dimension: 565*405*205mm (24 pcs/carton)
 Total weight:19.0KG **10W**

Net weight: 1.1 KG Cross weight 1.2KG
 Packing box dimension: 173*70*218mm
 Outer carton dimension: 535*453*230mm (18 pcs/carton)
 Total weight:22.5KG **20W**

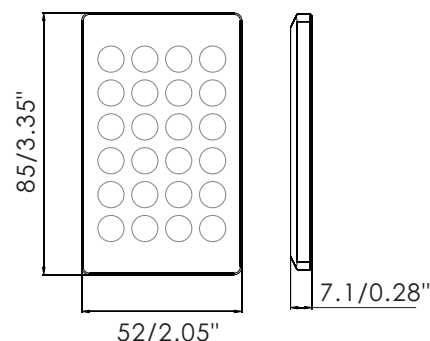
Net weight: 1.7 KG Cross weight 1.8KG
 Packing box dimension: 219*78*258mm
 Outer carton dimension: 533*455*255mm (12 pcs/carton)
 Total weight:22.5KG **30W**

Net weight: 2.5 KG Cross weight 2.7KG
 Packing box dimension: 257*87*314mm
 Outer carton dimension: 540*275*335mm (6 pcs/carton)
 Total weight:17.3KG **50W**

Remote Controller Changing Patterns:

- | | |
|-----------------------|----------------------------|
| 1. Static Red | 11. Static Blue |
| 2. Static Red Orange | 12. Static Light Blue |
| 3. Static Dark Orange | 13. Static Purple |
| 4. Static Orange | 14. Static Crimson |
| 5. Static Yellow | 15. Static Magenta |
| 6. Static Green | 16. Static white |
| 7. Static Light Green | 17. 7-color jump |
| 8. Static Ultramarine | 18. 7-color gradient |
| 9. Static Blue Green | 19. Monochromatic gradient |
| 10. Static Cyan | 20. RGB mixed gradient |

Remote Controller Weight:20g





Installation requirement:

1. Please prepare two sets of bolts to install the light;
2. Power off before installation;
3. Make sure the installed surface can endure the weight of light, and fix the light on the installed surface securely (according to installation diagram);
4. Connect light wire to power wire, seal the joint with insulation.

Notice :

1. Please read the specification first, to make sure the service environment matches the conditions in the specification before using;
2. Please confirm input voltage, frequency before using;
3. The lamp must be installed by professionals;
4. The lamp can't be used if the power wire, housing are damaged;
5. The lamp can't be maintained by non-professionals;
6. If the exterior flexible cable or wire is damaged, it must be exchanged by the supplier, its agent or other relevant qualified personnel to avoid dangers;
7. Using environment: -20°C-40°C.