



Medium Power Tri-proof Lamp Series (High Brightness+Normal Type)

ArcS II A

TP-020/040/050-AW-XX-A-YY



Description :

Tri-proof lamp is usually used in environment which require water-proof,dust-proof,slight corrosion-proof lighting, and it is widely used in shopping mall, warehouse and other indoor places. The medium power tri-proof lamp with built-in power supply employ plastic shell, low weight, suitable for ceiling or suspended installation, LED lifespan:50,000 hours.

Features:

- 1.High quality PC cover,strong impact resistance,IK08;
- 2.High light transmittance PC cover with soft light, high lighting effect;uniform light, no dark spot;
- 3.High efficient cooling design, LEDs and power supply work in low temperature,and can continue to work in high stability;
- 4.Can on/off frequently,no flicker;
- 5.Compact appearance,novel design, convenient to install and transport;
- 6.Corrosion-proof grade: slight protection;
- 7.Operating environment temperature:-20 °C - 35°C.



Technical parameters:

Model	CCT	Color	Lumen(lm) (±10%)	Beam angle	LED Type	Voltage frequency	Power(w) (±10%)	Max. current (A)	CRI	PF
FTN-TP-020-AW-W-AH-01	5500-6500K	white	2470	120°	SMD2835	AC100-240V 50/60Hz	20	0.3A	≥80	≥0.9
FTN-TP-020-AW-NW-AH-01	4000-4500K	neutral white	2480							
FTN-TP-020-AW-WW-AH-01	2700-3200K	warm white	2160							
FTN-TP-040-AW-W-AH-01	5500-6500K	white	4970	120°	SMD2835	AC100-240V 50/60Hz	40	0.5A	≥80	≥0.9
FTN-TP-040-AW-NW-AH-01	4000-4500K	neutral white	5120							
FTN-TP-040-AW-WW-AH-01	2700-3200K	warm white	4340							
FTN-TP-050-AW-W-AH-01	5500-6500K	white	6530	120°	SMD2835	AC100-240V 50/60Hz	50	0.6A	≥80	≥0.9
FTN-TP-050-AW-NW-AH-01	4000-4500K	neutral white	6470							
FTN-TP-050-AW-WW-AH-01	2700-3200K	warm white	5600							
FTN-TP-020-AW-W-A-01	5500-6500K	white	2000	120°	SMD2835	AC100-240V 50/60Hz	20	0.3A	≥80	≥0.9
FTN-TP-020-AW-NW-A-01	4000-4500K	neutral white	1960							
FTN-TP-020-AW-WW-A-01	2700-3200K	warm white	1750							
FTN-TP-040-AW-W-A-01	5500-6500K	white	3910	120°	SMD2835	AC100-240V 50/60Hz	40	0.5A	≥80	≥0.9
FTN-TP-040-AW-NW-A-01	4000-4500K	neutral white	3670							
FTN-TP-040-AW-WW-A-01	2700-3200K	warm white	3280							
FTN-TP-050-AW-W-A-01	5500-6500K	white	4790	120°	SMD2835	AC100-240V 50/60Hz	50	0.6A	≥80	≥0.9
FTN-TP-050-AW-NW-A-01	4000-4500K	neutral white	4600							
FTN-TP-050-AW-WW-A-01	2700-3200K	warm white	4090							

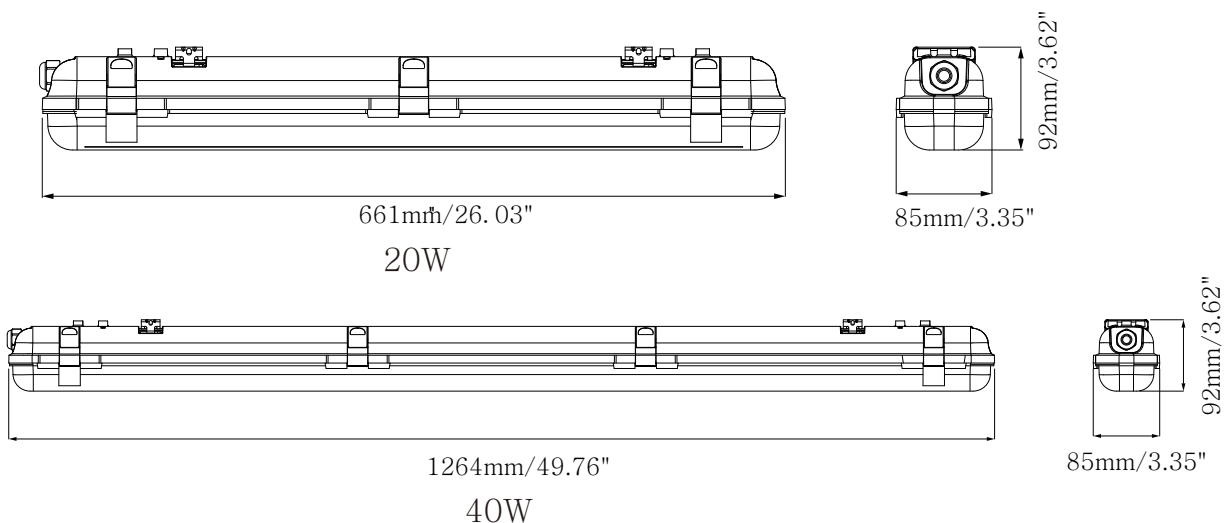
AH-01=high brightness with milky cover
A-01=normal milky cover

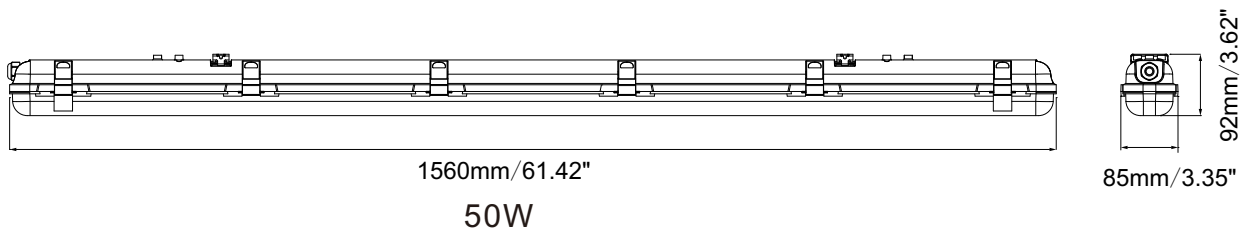
Main application:

Tri-proof light can be used in warehouse, parking lot, shopping mall, farm, food factory, cold storage, metro, underground passage and other places.



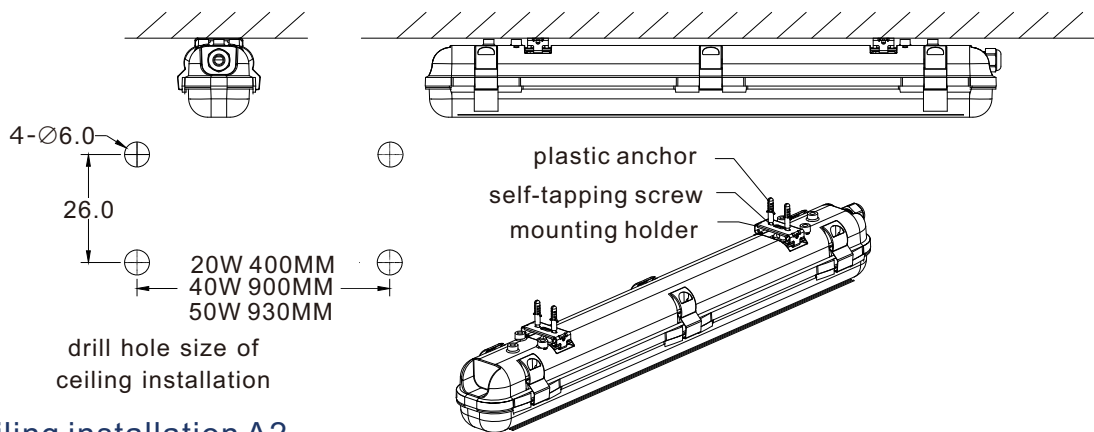
Dimension (Unit:mm):



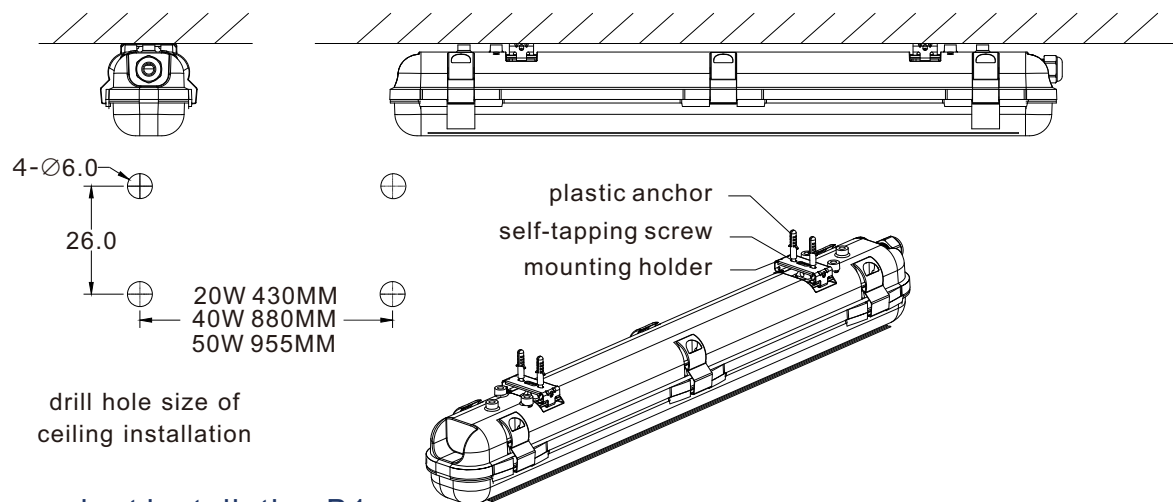


Installation figure:

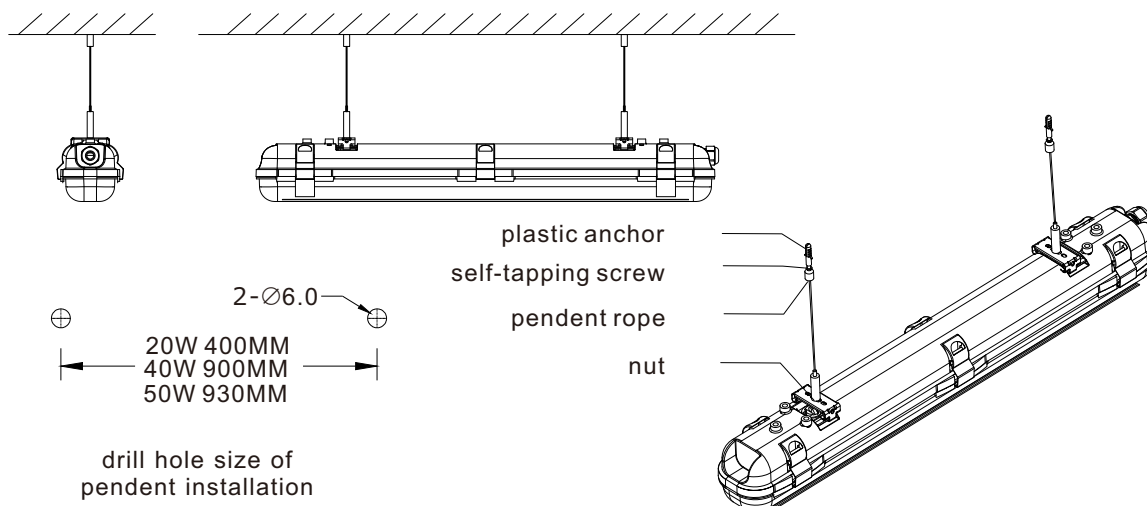
Ceiling installation A1



Ceiling installation A2

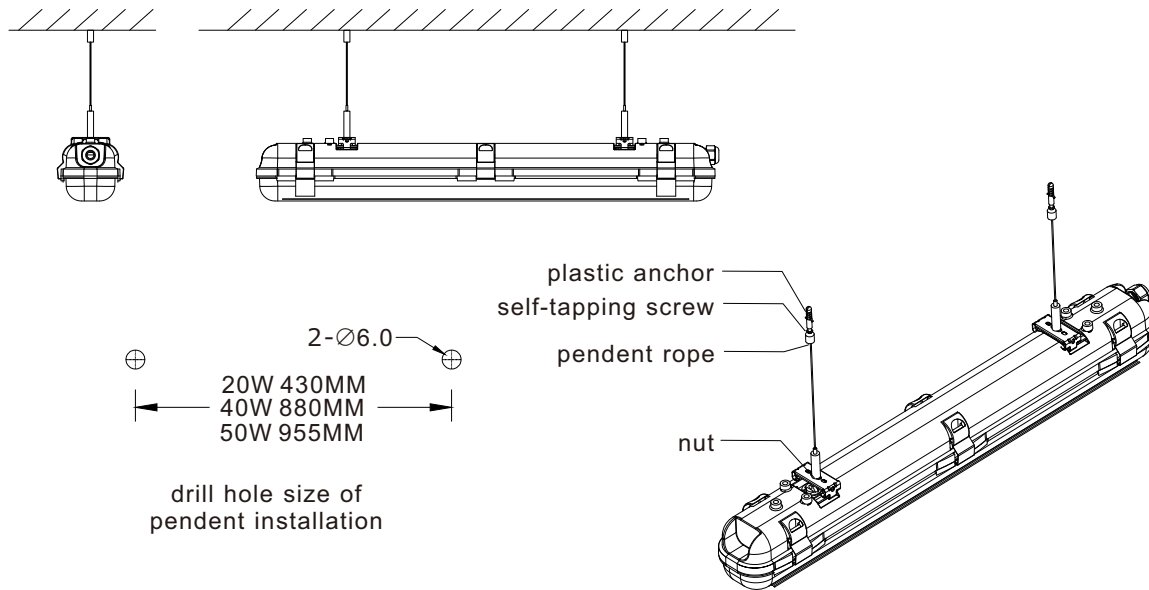


Suspendent installation B1





Suspending installation B2



Package information :

Power	Inner packaging dimension	Outer carton dimension	Net weight	Gross weight	Qty
20W	20W: 705*105*105mm	20W: 725*435*340mm	1.04Kg	1.20Kg	12pcs/Carton
40W	40W: 1320*105*105mm	40W: 1340*330*235mm	1.80Kg	2.10Kg	6pcs/Carton
50W	50W: 1610*105*105mm	50W: 1630*330*235mm	2.40Kg	2.80kg	6pcs/Carton

Installation requirement:

1. Power off before installation;
2. First make sure the installation material can endure the weight of light, securely fix the lamp on the installation surface with bolts, then fix the light to the hook of clamp with bolts;
3. Connect the lamp wire to the wire of power supply, and process the joint with insulation sealing;
4. If you choose suspension installation, please first fix the steel wire on the installation surface, then fix the lamp body to the ring of steel wire with joint, finally adjust the length of steel wire.

! Notice:

1. Please first read the product specification carefully, make sure the using environment conform to specification, then it can be used;
2. Please confirm input voltage, frequency before use;
3. The lamp must be installed by professionals;
4. If there is any damage to the power wire or shell of the product, it should be taken as defective product and do not use it;
5. Dangerous high voltage, non-professionals are not allowed to maintain the product;
6. If external soft cable or soft wire of the light is damaged, it should be replaced by manufacturer or service agent or personnel with similar qualification to avoid danger;
7. When connect wire of AC, the terminal shouldn't press to external skin, ensure good contact;
8. Please do not let water enter the internal, please do not knock against the LEDs' surface;
9. Corrosivity in the using environment can't exceed the anti-corrosion grade regulation, if you have special requirement, please first consult with our company.