



# Medium Power Tri-proof Lamp A2 Series (High Brightness+Normal Type)

ArcS II A2

TP-020/040/050-AW-XX-A2-YY



## Description :

Tri-proof light is usually used in environment which require water-proof,dust-proof,slight corrosion-proof lighting, and it is widely used in shopping mall, warehouse and other indoor places. Tri-proof light of medium power can be ceiling mounted or suspending installed. Adopt PC as the material which ensure that it can work stably in different environment; LED lifespan:50,000 hours.

## Features :

1. Knob buckle,convenient to operate,add anti-loose bumps, more safe;
2. Independent mounting plate of power supply, separated from lamp panel, good cooling effect;
3. Screwless wire connection, tool free (press type wiring );
4. Power supply cooling via metal shell, and tadditional shell is made of plastic;
5. Glass fiber casing, scratch-resistant wire;
6. Add pressing wire plate to AC,pull resistant and practical; add wire ring to DC ,simple;
7. Milky white cover and strips cover optional;
8. Plastic buckle and metal buckle optional;
9. Plastic PG11 and quick-connect terminal optional;
- 10.High transmittance top cover, high lighting effect,uniform and soft light;
- 11.Plastic shell, low weight,suitable for ceiling and suspendent installation;
- 12.PC cover,impact resistance,IK08;
- 13.Operating environment temperature:-20 °C- 35°C;
- 14.Corrosion-proof grade: slight protection.



## Technical parameters

Model	CCT	Color	Lumen(lm) (±10%)	Beam angle	LED Type	Voltage frequency	Power(w) (±10%)	Max. current (A)	CRI	PF
TP-020-AW-W-A2-01	5500-6500K	white	2010	120°	SMD2835	AC220-240V 50/60Hz	20	0.12A	≥ 80	≥ 0.9
TP-020-AW-NW-A2-01	4000-4500K	neutral white	1990	120°						
TP-020-AW-WW-A2-01	2700-3200K	warm white	1900	120°						
TP-020-AW-W-A2-02	5500-6500K	white	2200	120°						
TP-020-AW-NW-A2-02	4000-4500K	neutral white	2120	120°						
TP-020-AW-WW-A2-02	2700-3200K	warm white	2000	120°						
TP-040-AW-W-A2-01	5500-6500K	white	3940	120°	SMD2835	AC220-240V 50/60Hz	40	0.25A	≥ 80	≥ 0.9
TP-040-AW-NW-A2-01	4000-4500K	neutral white	3900	120°						
TP-040-AW-WW-A2-01	2700-3200K	warm white	3850	120°						
TP-040-AW-W-A2-02	5500-6500K	white	4400	120°						
TP-040-AW-NW-A2-02	4000-4500K	neutral white	4240	120°						
TP-040-AW-WW-A2-02	2700-3200K	warm white	4000	120°						
TP-050-AW-W-A2-01	5500-6500K	white	4570	120°	SMD2835	AC220-240V 50/60Hz	50	0.3A	≥ 80	≥ 0.9
TP-050-AW-NW-A2-01	4000-4500K	neutral white	4520	120°						
TP-050-AW-WW-A2-01	2700-3200K	warm white	4430	120°						
TP-050-AW-W-A2-02	5500-6500K	white	5500	120°						
TP-050-AW-NW-A2-02	4000-4500K	neutral white	5300	120°						
TP-050-AW-WW-A2-02	2700-3200K	warm white	5000	120°						
TP-020-AW-W-A2-07	5500-6500K	white	2490	120°	SMD2835	AC220-240V 50/60Hz	20	0.12A	≥ 80	≥ 0.9
TP-020-AW-NW-A2-07	4000-4500K	neutral white	2470	120°						
TP-020-AW-WW-A2-07	2700-3200K	warm white	2240	120°						
TP-020-AW-W-A2-08	5500-6500K	white	2680	120°						
TP-020-AW-NW-A2-08	4000-4500K	neutral white	2600	120°						
TP-020-AW-WW-A2-08	2700-3200K	warm white	2300	120°						
TP-040-AW-W-A2-07	5500-6500K	white	4920	120°	SMD2835	AC220-240V 50/60Hz	40	0.25A	≥ 80	≥ 0.9
TP-040-AW-NW-A2-07	4000-4500K	neutral white	4870	120°						
TP-040-AW-WW-A2-07	2700-3200K	warm white	4430	120°						
TP-040-AW-W-A2-08	5500-6500K	white	5360	120°						
TP-040-AW-NW-A2-08	4000-4500K	neutral white	5200	120°						
TP-040-AW-WW-A2-08	2700-3200K	warm white	4600	120°						
TP-050-AW-W-A2-07	5500-6500K	white	6060	120°	SMD2835	AC220-240V 50/60Hz	50	0.3A	≥ 80	≥ 0.9
TP-050-AW-NW-A2-07	4000-4500K	neutral white	6000	120°						
TP-050-AW-WW-A2-07	2700-3200K	warm white	5390	120°						
TP-050-AW-W-A2-08	5500-6500K	white	6700	120°						
TP-050-AW-NW-A2-08	4000-4500K	neutral white	6500	120°						
TP-050-AW-WW-A2-08	2700-3200K	warm white	5750	120°						

01=normal type with milky cover series  
 02=normal type with stripes cover series  
 07=high bright with milky cover series  
 08=high bright with stripe cover series

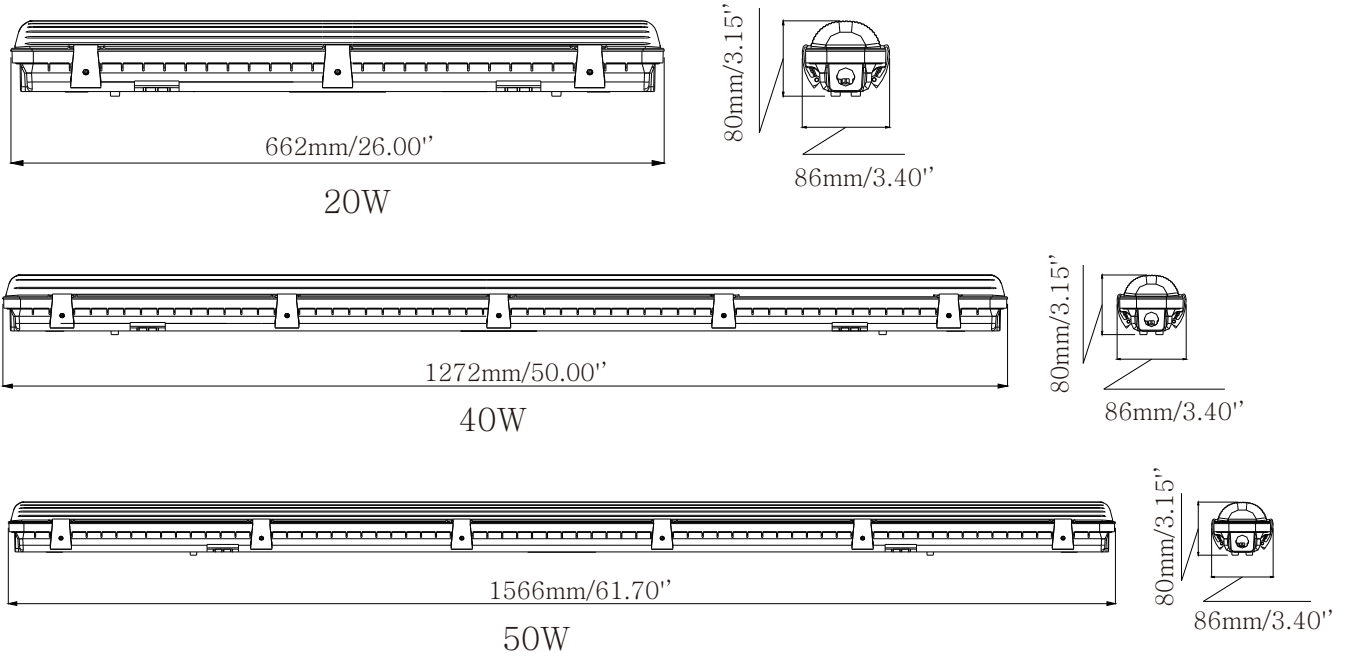
### Main application

Tri-proof light can be used in warehouse, parking lot, shopping mall, farm, food factory, cold storage, metro, underground passage and other places.



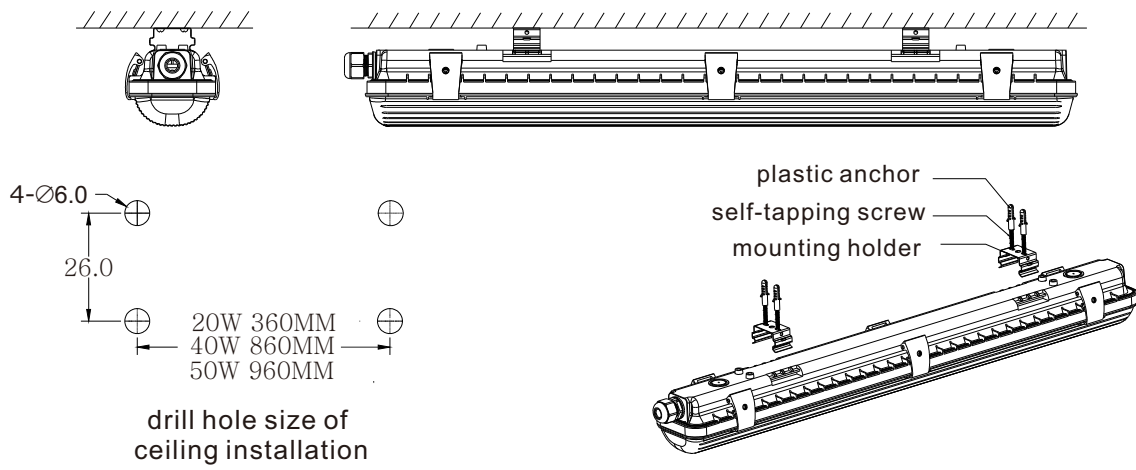


### Dimension (Unit:mm):



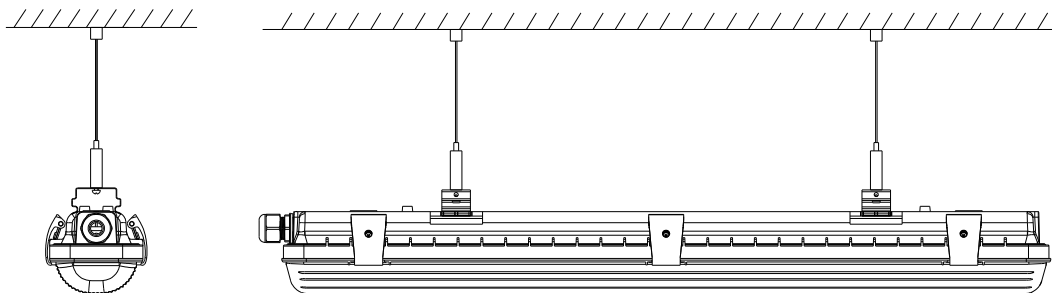
### Installation figure:

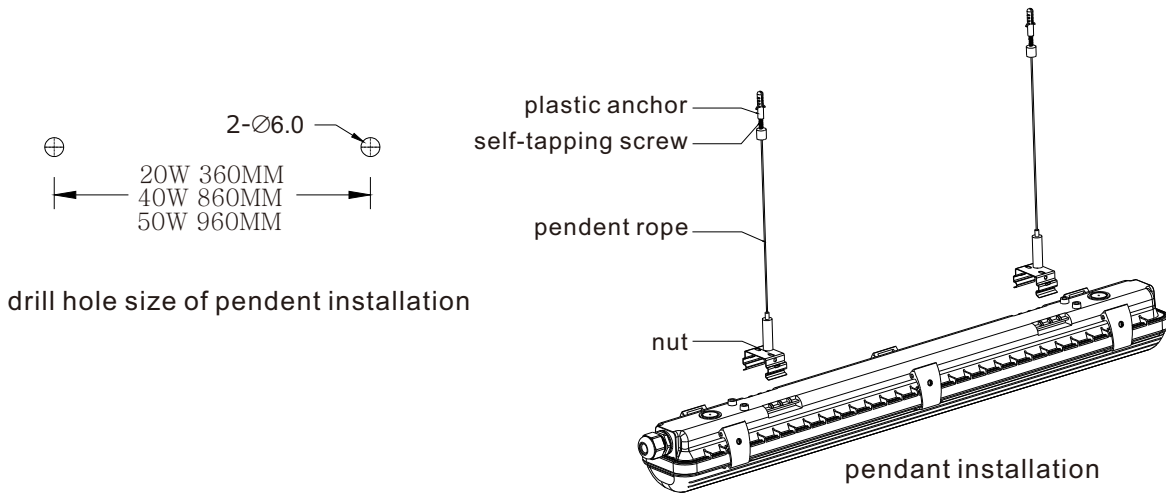
#### Ceiling installation A



Ceiling installation

#### Suspendent installation B





## Package information

Power	Inner packaging dimension	Outer carton dimension	Net weigh	Gross weight	Qty
20W	20W: 700*85*85mm	20W: 720*360*290mm	0.90Kg	1.15Kg	12pcs/Carton
40W	40W: 1315*85*85mm	40W: 1345*270*200mm	1.50Kg	1.90Kg	6pcs/Carton
50W	50W: 1615*85*85mm	50W: 1640*270*200mm	1.80Kg	2.25kg	6pcs/Carton

## Installation requirement:

- 1.Power off before installation;
- 2.First make sure the installation material can endure the weight of light,securely fix the lamp on the installation surface with bolts, then fix the light to the hook of clamp with bolts;
- 3.Connect the lamp wire to the wire of power supply, and process the joint with insulation sealing;
- 4.If you choose suspension installation, please first fix the steel wire on the installation surface, then fix the lamp body to the ring of steel wire with joint, finally adjust the length of steel wire.

## ! Notice:

- 1.Please first read the product specification carefully, make sure the using environment conform to specification, then it can be used;
- 2.Please confirm input voltage,frequency before use;
- 3.The lamp must be installed by professionals;
- 4.If there is any damage to the power wire or shell of the product, it should be taken as defective product and do not use it;
5. Dangerous high voltage,non-professionals are not allowed to maintain the product;
6. If external soft cable or soft wire of the light is damaged, it should be replaced by manufacturer or service agent or personnel with similar qualification to avoid danger;
7. When connect wire of AC, the terminal shouldn't press to external skin, ensure good contact;
8. Please do not let water enter the internal, please do not knock against the LEDs' surface;
9. Corrosivity in the using environment can't exceed the anti-corrosion grade regulation, if you have special requirement, please first consult with our company.