



## Tri-proof Lamp with Motion Sensor FTN-TP-020/040/050-AW-XX-A-YY



### Description

Sensor tri-proof lamp is innovative products which integrate Motion detector and LED power supply. The products supply a simple energy-saving solution for users. As all control parts are integrated in lamp housing, it is very easy to mount and save labor cost. Mini size of control parts make it can be installed in luminaries and NO DARK area when turn on the light. With innovative control technology, detection distance can be longer, up to 10m.

When lamp detect movement of object, the lamp will be full bright ; if lamp hasn't detected movement of object, after hold time the lamp will dim to a low light level, after stand-by period, lamp will switch off; and the lamp will be full bright when detect movable object again.

### Features

1. Integration of Microwave motion sensor and LED power supply;
2. With built-in sensor, No DARK area of luminaries;
3. Automatic switching and dimming based on motion and light level;
4. Detection area, time delay and daylight threshold can be precisely set via our switch;
5. Wide detection area, range up to 10m in diameter;
6. Support higher mounting height 6m Max;
7. Built-in daylight sensor;
8. Operating environment temperature: -20°C- 35°C ;
9. Corrosion-proof grade: slight protection.



## Sensor Specifications(FTN-TP-020/040/050-XX-A-05)

FTN-TP-020/040/050-AW-XX-A-05	
HF system	5.8GHz±75MHz, ISM wave band
Detection zone	Max.(D*H): 10m*10m
Mounting height	6M Max.
Detection Area	25% / 50% / 75% / 100%
Hold time	5S / 30S / 90S / 3min
Daylight sensor	5lux / 15lux / 50lux / +∞
Twilight Time	0S / 90S / 3min / +∞
Stand-by brightness	15%

## Sensor function setting(FTN-TP-020/040/050-XX-A-05)

By selecting the combination on the DIP switch, sensor data can be precisely set for each specific application.

ON ↑ 		1	2	
	I	ON	ON	100%
	II	-	ON	75%
	III	ON	-	50%
	IV	-	-	25%

### Detection area

Detection area can be reduced by selecting the combination on the DIP switches to fit precisely each application.

**Factory setting: 100%**

ON ↑ 		1	2	
	I	ON	ON	5S
	II	-	ON	30S
	III	ON	-	90S
	IV	-	-	3min

### Hold time

Refers to the time period the lamp remains at 100% illumination after no motion detected.

**Factory setting: 3min**

ON ↑ 		1	2	
	I	ON	ON	0S
	II	-	ON	90S
	III	ON	-	3min
	IV	-	-	+∞

### Twilight Time

Refers to the time period the lamp remains at a low lightlevel(20%) before it completely switches off in the long absence of people. When set to Disable mode, the low light is maintained until motion is detected.

**Factory setting: 3min**

ON ↑ 		1	2	+∞
	I	ON	ON	+∞
	II	-	ON	50lux
	III	ON	-	15lux
	IV	-	-	5lux

### Daylight sensor

The sensor can be set to only allow the lamp to illuminate below a defined ambient brightness threshold. When set to Disable mode, the daylight sensor will switch on the lamp when motion is detected regardless of ambient level.

Note that daylight sensor is active only when lamp totally switches off.

**Factory setting: +∞**



## Sensor Specifications(FTN-TP-020/040/050-AW-XX-A-06)

FTN-TP-020/040/050-AW-XX-A-06	
HF system	5.8GHz±75MHz, ISM wave band
Detection zone	Max.(D*H): 10m*10m
Mounting height	6M Max.
Detection sensitivity	10% /25%/ 50% / 75% / 100%
Hold time	10S / 30S / 90S / 3min / 20min / 30min
Daylight sensor	5lux / 10lux / 30lux / 50lux / Disable
Stand-by period	5S / 5min / 10min / 30min / 1h / +∞
Stand-by dimming level	10% / 20% / 30%/40% / 50%

## Sensor function setting(FTN-TP-020/040/050-XX-A-06)

	1	2	3	
I	ON	ON	ON	100%
II	-	ON	ON	75%
III	ON	-	ON	50%
IV	-	-	ON	25%
V	-	-	-	10%

### Detection area

Detection area can be reduced by selecting the combination on the DIP switches to fit precisely each plication.

**Factory setting: 100%**

	1	2	3	
I	ON	ON	ON	10s
II	-	ON	ON	30s
III	ON	-	ON	90s
IV	-	-	ON	3min
V	ON	ON	-	20min
VI	-	-	-	30min

### Hold time

Refers to the time period the lamp remains at 100% illumination after no motion detected.

**Factory setting: 3min**

	1	2	3	
I	ON	ON	ON	+∞
II	-	ON	ON	1h
III	ON	-	ON	30min
IV	-	-	ON	10min
V	ON	ON	-	5min
VI	-	ON	-	5S

### Stand-by period

Refers to the time period the lamp remains at a low light level before it completely switches off in the long absence of people. When set to Disable mode, the low light is maintained until motion is detected.

**factory setting: 5min**

	1	2	3	
I	ON	ON	ON	50%
II	-	ON	ON	40%
III	ON	-	ON	30%
IV	ON	ON	-	20%
V	-	-	-	10%

### Stand-by dimming level

The low light level you would like to have after the hold time in the long absence of people.

**factory setting: 20%**

	1	2	3	
I	ON	ON	ON	Disable
II	ON	ON	-	50Lux
III	-	ON	-	30Lux
IV	ON	-	-	10Lux
V	-	-	-	5Lux

### Daylight sensor

The sensor can be set to only allow the lamp to illuminate below a defined ambient brightness threshold. When set to Disable mode, the daylight sensor will switch on the lamp when motion is detected regardless of ambient level.

Note that daylight sensor is active only when lamp totally switches off.

**factory setting: Disable**



## Optional Function

The tri-proof lamp provide ON-OFF Function, 3-step dimming function(100%→low light→off) , and 2-step dimming function(100%→low light(never turn off)).

According to different applications, if lamp hasn't detected movement of object, after hold time the lamp will degrade to a low light level, lamp will switch off after stand-by period. And the lamp will be full bright when detect movable object again.



The sensor switches on the lamp when motion is detected



If lamp hasn't detected movement of object, after hold time the lamp will dim to a low level



After stand-by period, lamp will switch off.



## Specifications

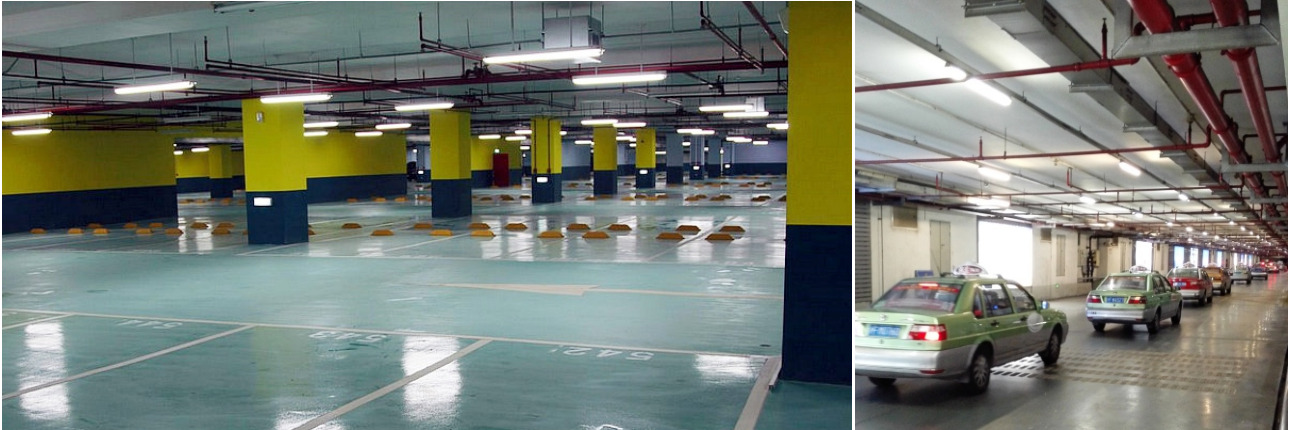
Model	CCT	Color	Lumen(lm) (±10%)	Beam (angle)	LED Type	Voltage frequency	Power(w) (±10%)	Max. current (A)	CRI	PF
FTN-TP-020-AW-W-A-05	5500-6500K	White	1955	120°	SMD2835	AC100-240V 50/60Hz	20	0.3A	> 80	≥0.9
FTN-TP-020-AW-NW-A-05	4000-4500K	Neutral white	1973							
FTN-TP-020-AW-WW-A-05	2700-3200K	Warm white	1796							
FTN-TP-040-AW-W-A-05	5500-6500K	White	3945	120°	SMD2835	AC100-240V 50/60Hz	40	0.5A	> 80	≥0.9
FTN-TP-040-AW-NW-A-05	4000-4500K	Neutral white	3982							
FTN-TP-040-AW-WW-A-05	2700-3200K	Warm white	3608							
FTN-TP-050-AW-W-A-05	5500-6500K	White	4648	120°	SMD2835	AC100-240V 50/60Hz	50	0.6A	> 80	≥0.9
FTN-TP-050-AW-NW-A-05	4000-4500K	Neutral white	4438							
FTN-TP-050-AW-WW-A-05	2700-3200K	Warm white	4150							

Model	CCT	Color	Lumen(lm) (±10%)	Beam (angle)	LED Type	Voltage frequency	Power(w) (±10%)	Max. current (A)	CRI	PF
FTN-TP-020-AW-W-A-06	5500-6500K	White	1955	120°	SMD2835	AC100-240V 50/60Hz	20	0.3A	> 80	≥0.9
FTN-TP-020-AW-NW-A-06	4000-4500K	Neutral white	1973							
FTN-TP-020-AW-WW-A-06	2700-3200K	Warm white	1796							
FTN-TP-040-AW-W-A-06	5500-6500K	White	3945	120°	SMD2835	AC100-240V 50/60Hz	40	0.5A	> 80	≥0.9
FTN-TP-040-AW-NW-A-06	4000-4500K	Neutral white	3982							
FTN-TP-040-AW-WW-A-06	2700-3200K	Warm white	3608							
FTN-TP-050-AW-W-A-06	5500-6500K	White	4648	120°	SMD2835	AC100-240V 50/60Hz	50	0.6A	> 80	≥0.9
FTN-TP-050-AW-NW-A-06	4000-4500K	Neutral white	4438							
FTN-TP-050-AW-WW-A-06	2700-3200K	Warm white	4150							

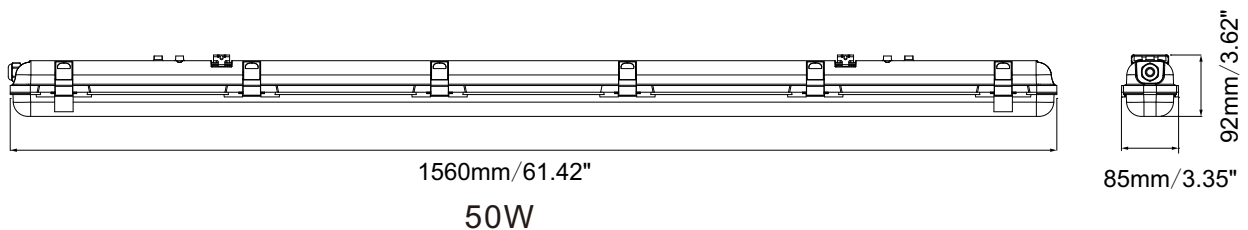
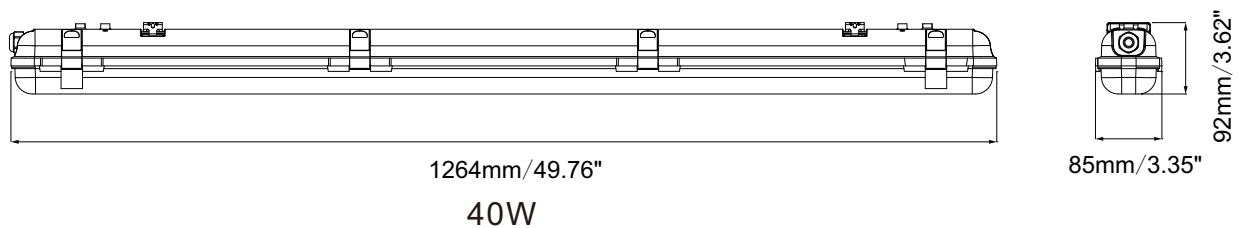
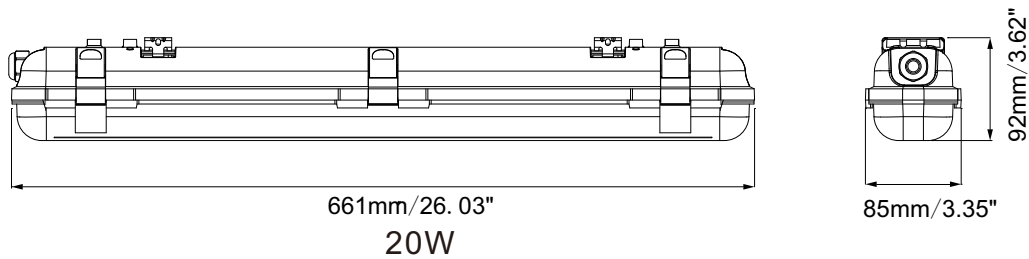


## Application

Suitable for warehouse, parking lot, shopping mall, farm, factory, cold storage, metro, underground passage and other places.



## Dimensions (Unit: mm)





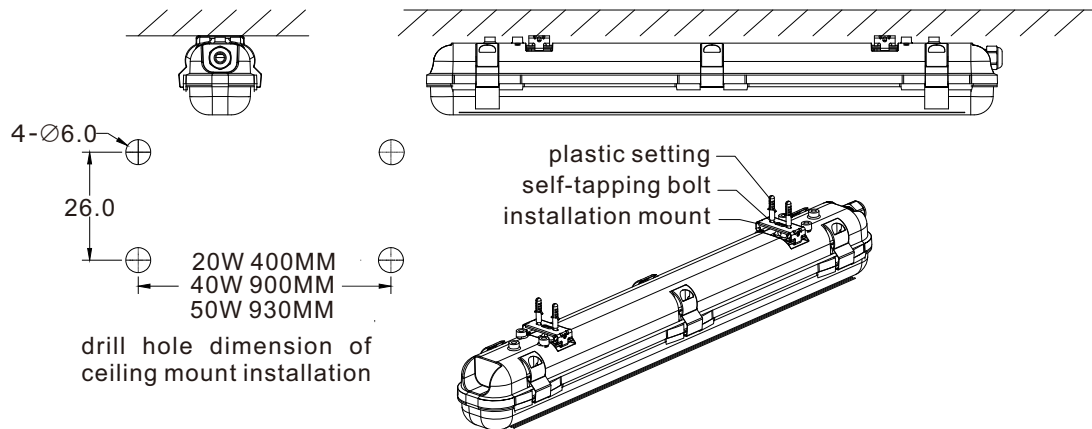


## Packing and accessories information

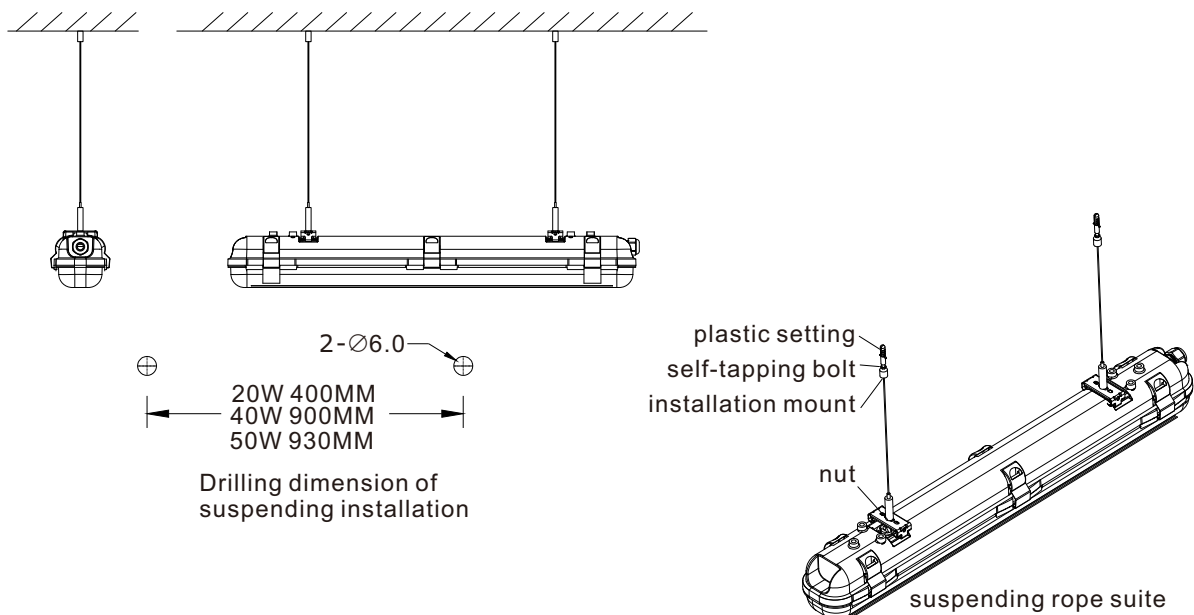
Power	Single package dimension	Outer carton dimension	Net weight	Gross weight	Qty
20W	20W: 705*105*105mm	20W: 725*435*340mm	1.20Kg	1.35Kg	12pcs/carton
40W	40W: 1320*105*105mm	40W: 1340*330*235mm	2.00Kg	2.30Kg	6pcs/carton
50W	50W: 1610*105*105mm	50W: 1630*330*235mm	2.60Kg	3.00kg	6pcs/carton

## How to fix

### Ceiling installation



### Suspendent installation





## Installation requirement

1. Power off before installation;
2. First make sure the installation material can endure the weight of lamp, securely fix the clip with plastic clamp and self-tapping screws on the installation surface, then snap the lamp into clip;
3. Connect the light wire to the wire of power supply, and process the joint with insulation sealing;
4. If you choose pendent installation, fix the steel wire on the installation surface, cross the M5 bolt of one end of steel wire through  $\phi 5.5$  hole, and fasten with M5 nut at another end; snap the lamp into clamp, finally adjust the length of steel wire to prevent losing and falling;
5. Wall mounting suggested installation height: 1.5-2m;
6. Ceiling mounting suggested installation height: 3-4m.

## Notice

1. Please first read the product specification carefully, make sure the using environment conform to specification, then it can be used;
2. Please confirm the input voltage, frequency before use;
3. This product must be installed by professionals;
4. If there is any damage to the power wire or shell of the product, it should be taken as defective product and do not use it;
5. Dangerous high voltage, non-professionals are not allowed to maintain the product; If external soft cable or soft wire of the light is damaged, it should be replaced by manufacture or service agent or personnel with similar qualification to avoid danger;
6. When connected to AC, the connector should't press external cover to ensure good contact;
7. Please don't let the inside water, and not to collide with the surface of LEDs;
8. The corrosivity of using environment can't exceed the anti-corrosion grade which is specified in the specification. If you have special requirements, please first consult with our company.