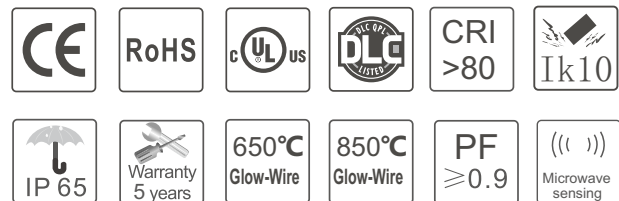




Tri-proof Lamp with remote control Motion Sensor

TP-020/040/050-AW-XX-B-ZYY

HW-GY-2.4G-8KEY



Introduction

Tri-proof Lamp integrate motion sensor with HF system 5.8GHz, motion can be detected through plastic, glass and thin non-metal materials. When moving object is detected, output brightness is 100%. If hasn't detected moving object, after hold time the lamp will enter stand-by state, and output brightness is reduced to 30% or shut down. When detect moving object again, full bright output recover.

Features

1. Anti-UV cover, it's ideal choice for outdoor use;
2. High impact resistance PC cover, IK10;
3. High transmittance PC cover transmit soft light, high light efficiency, uniform light;
4. Can switch start frequently, no flicker;
5. Built-in motion detector, easy to mount;
6. Use wireless networking, easy to installation and free of wire.



Specifications

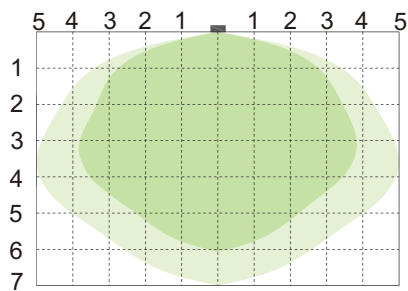
In the suffix of product model, "S21" means With Motion Sensor and RF Transceiver; "S22" means With RF Transceiver only.

Model	CCT	Color	Lumen(lm) (±10%)	Beam (angle)	LED Type Quantity	Power(w) (±10%)	Voltage, Frequency	CRI	PF
TP-020-AW-W-B-S21/S22	4700-5300K	White	2600	230°	SMD2835	20	AC100-277V 50/60Hz	> 80	≥0.9
TP-020-AW-NW-B-S21/S22	3800-4200K	Neutral white	2560						
TP-020-AW-WW-B-S21/S22	2700-3200K	Warm white	2160						
TP-040-AW-W-B-S21/S22	4700-5300K	White	5200	230°	SMD2835	40	AC100-277V 50/60Hz	> 80	≥0.9
TP-040-AW-NW-B-S21/S22	3800-4200K	Neutral white	5120						
TP-040-AW-WW-B-S21/S22	2700-3200K	Warm white	4320						
TP-050-AW-W-B-S21/S22	4700-5300K	White	6500	230°	SMD2835	50	AC100-277V 50/60Hz	> 80	≥0.9
TP-050-AW-NW-B-S21/S22	3800-4200K	Neutral white	6400						
TP-050-AW-WW-B-S21/S22	2700-3200K	Warm white	5400						

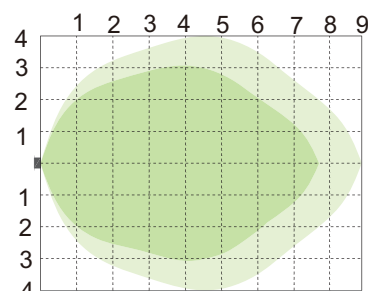
HF system	5.8GHz±75MHz, ISM wave band
Transmitting power	0.5mW Max.
Motion detection	0.5~3m/s
Detection zone	Max.(D*H): 10m*9m
Detection angle	150° (wall installation) 360° (ceiling installation)
RF frequency	2.4GHz, ISM wave band
Transmission distance	Max. 15m inside buildings; Max. 30m in the free field

Detection pattern

■ high sensitivity area ■ low sensitivity area



Ceiling mounting (m)
Suggested height: 3-4m (6m Max.)



Wall mounting (m)
Suggested height: 1-2m (3m Max.)



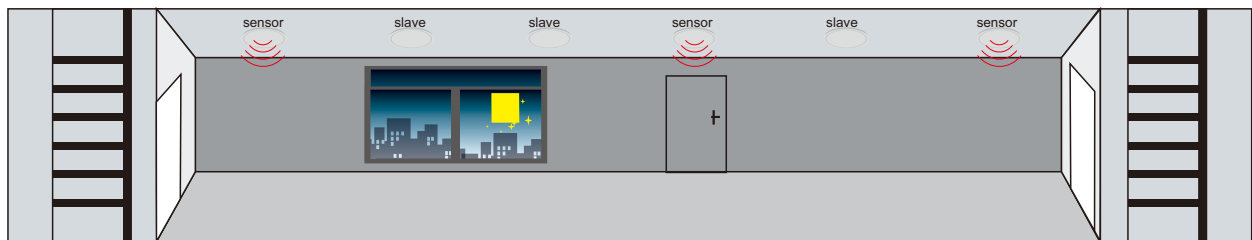
Motion Detection

When The tri-proof lamp detect movement of object, it will be full bright; if hasn't detected movement of object, after hold time the tri-proof lamp enter into stand-by state, and the brightness will dim to a low level (or switch off); The tri-proof lamp will be full bright when detect movable object again.

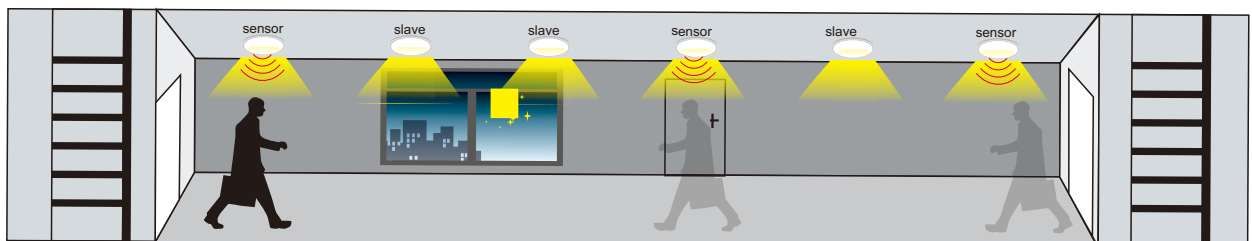
RF Wireless Grouping

Any tri-proof lamp within the RF wireless transmission reach(15m radius indoor and 30m radius in open areas) can communicate and connect with each other. Establish groups with remote controller, once any motion is detect, the motion signal will be transmitted to other lamps through RF transceiver.

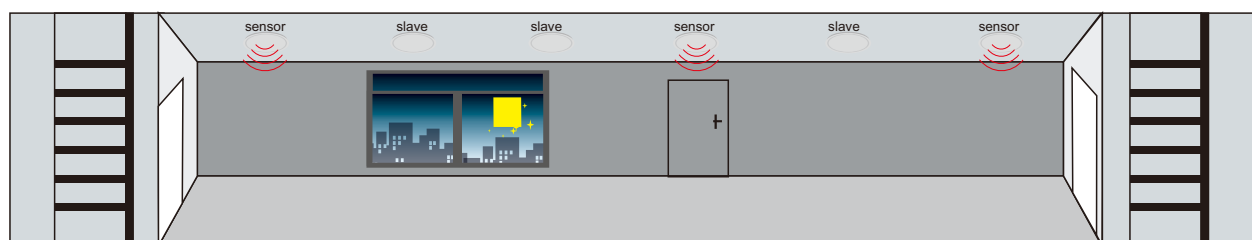
See below picture, there are several exits to the corridor, all tri-proof lamps in corridor are set into one group, any tri-proof lamp in the exits is triggered, it will send motion signal to other tri-proof lamps via wireless signal, and all tri-proof lamps in corridor synchronously switch on. If moving object is not detected, after set holding time pass, all tri-proof lamps will enter into stand-by state.



No motion detected, all lamps are in stand-by state.



Any movement is detected from any direction, all lamps synchronously switch on.

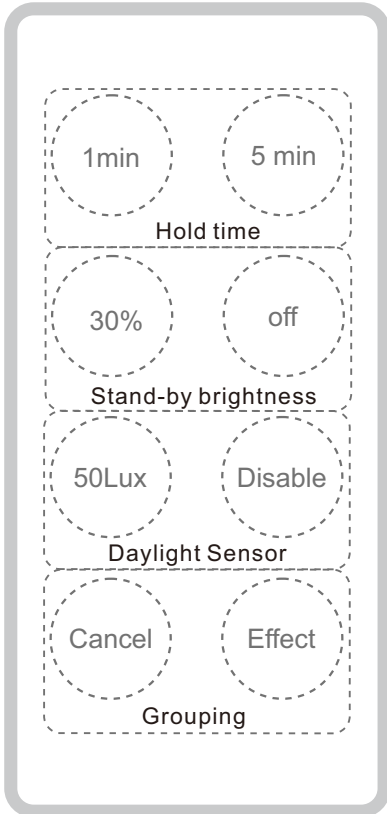


No motion is detected in detection area, all lamps enter into stand-by state after hold time. Stand-by state could be low light level or switch off.



Remote controller

Application function set of the lamp is operated and finished by matched wireless remote controller. Power on lamp to be set(Keep those lamps that do not need to be set power off), press the corresponding key on remote controller, the success fully set lamp will flicker once.



Holding time

Refers to the time period the lamp remains at 100% illumination after no motion detected.

Stand-by brightness

The low light level you would like to have after the hold time in the stand-by state.

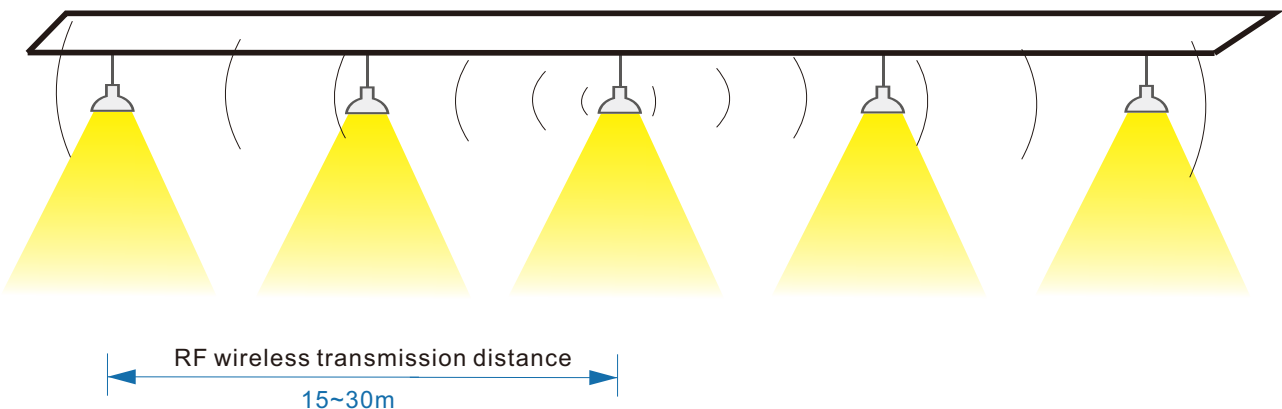
Daylight Sensor

The sensor can be set to only allow the lamp to illuminate below a defined ambient brightness(50Lux) threshold. When set to Disable mode, the daylight sensor will switch on the lamp when motion is detected regardless of ambient light level.

Note: Daylight Sensor is temporarily unavailable

Grouping

The lamp integrate wireless transceiver, within the RF wireless transmission reach(15m radius indoor and 30m radius in open areas), they can communicate and connect with each other. Establish groups with remote controller, once any motion is detect, the motion signal will be transmitted to any other members.



Note!

**The remote controller need to be ordered separately.
model: HW-GY-2.4G-8KEY**



Application

Suitable for warehouse, parking lot, shopping mall, farm, factory, cold storage, metro, underground passage and other places.



Packing and accessories information

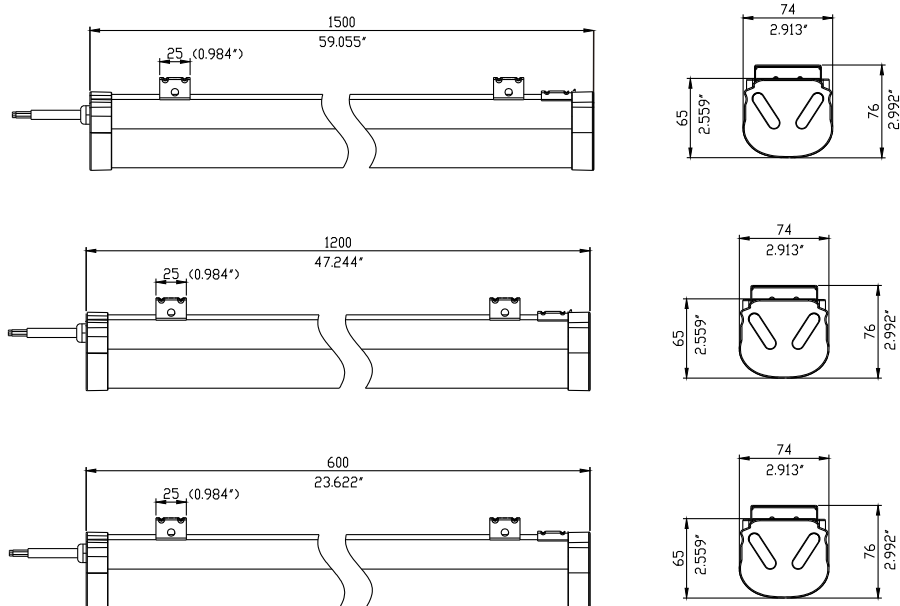
Net weight:2.35kg Gross weight:2.67kg

Single package dimension:1420*80*80mm

Outer carton dimension:1430*340*270mm,12pcs/caron (gross weight31kg)

Ceiling installation accessories (including 2 pieces mounting holder, 4 pieces self-tapping screws, plastic holder, M5 nut) For UL and seamless connection series, after calculate lamp qty., connect male head and end cover according 1 pcs/pair.

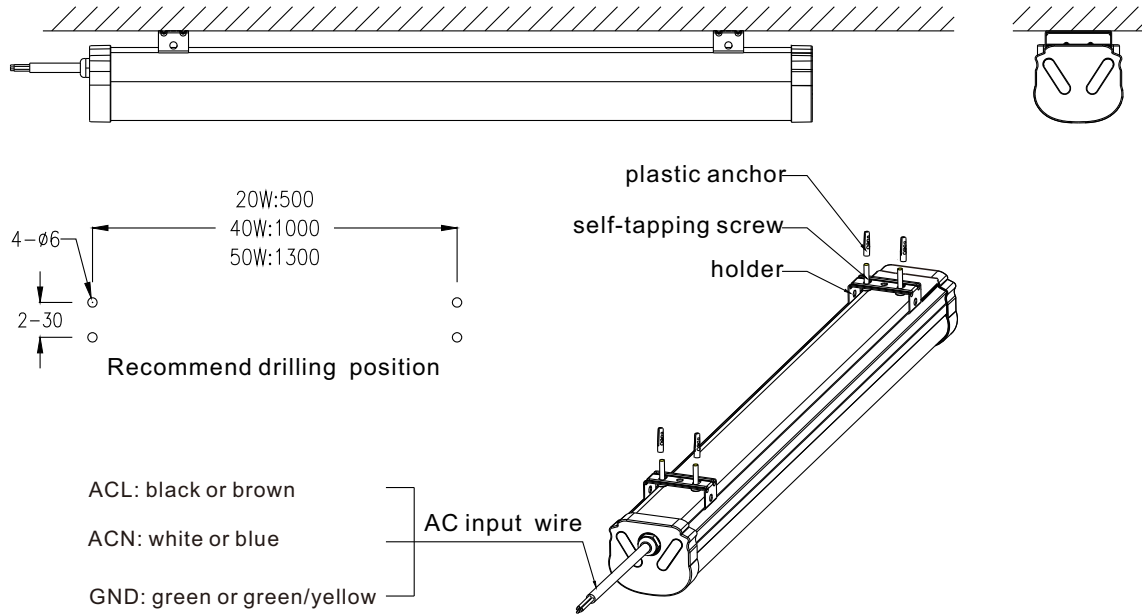
Dimensions (Unit: mm)



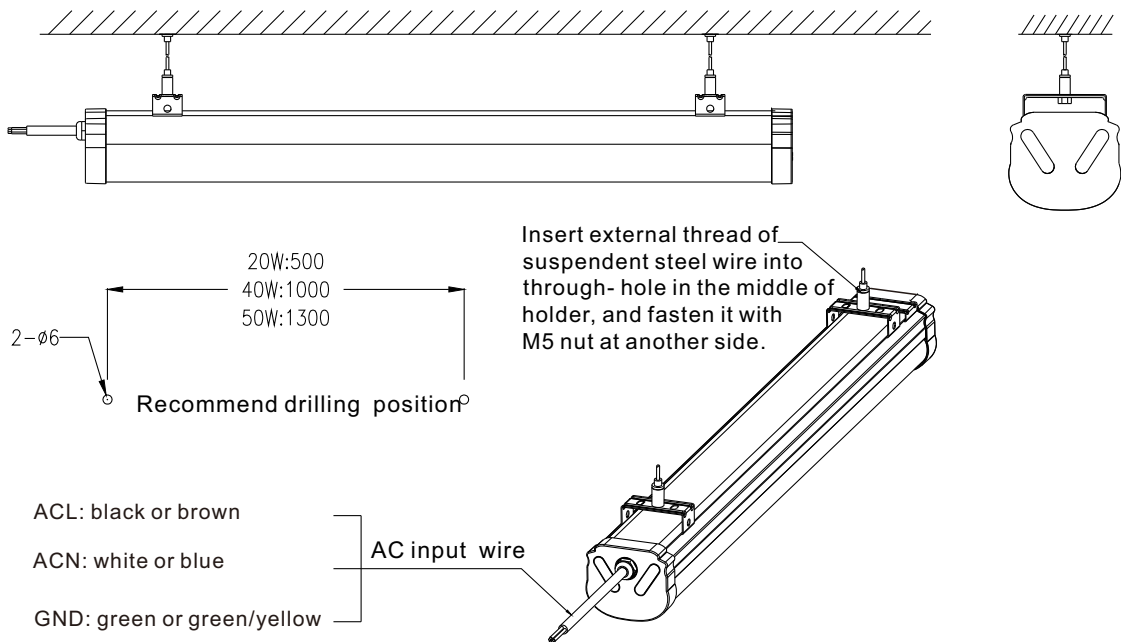


How to fix

Ceiling installation



Suspended installation





Installation requirement

1. Power off before installation;
2. First make sure the installation material can endure the weight of lamp, securely fix the clip with plastic clamp and self-tapping screws on the installation surface, then snap the lamp into clip;
3. Connect the light wire to the wire of power supply, and process the joint with insulation sealing;
4. If you choose pendent installation, fix the steel wire on the installation surface, cross the M5 bolt of one end of steel wire through $\phi 5.5$ hole, and fasten with M5 nut at another end; snap the lamp into sanp, finally adjust the length of steel wire to prevent losing and falling.
5. Wall mounting suggested installation height: 1-2m;
6. Ceiling mounting suggested installation height: 3-4m.

Notice

1. Please first read the product specification carefully, make sure the using environment conform to specification, then it can be used;
2. Please confirm the input voltage, frequency before use;
3. This product must be installed by professionals;
4. If there is any damage to the power wire or shell of the product, it should be taken as defective product and do not use it;
5. Dangerous high voltage, non-professionals are not allowed to maintain the product; If external soft cable or soft wire of the light is damaged, it should be replaced by manufacture or service agent or personnel with similar qualification to avoid danger.