



Emergency Medium Power Tri-proof Lamp A Series

ArcS II A

TP-020/040/050-AW-XX-A-YY



Description :

Tri-proof light is usually used in environment which require water-proof,dust-proof,slight corrosion-proof lighting, and it is widely used in shopping mall, warehouse and other indoor places. The medium power tri-proof lamp with built-in power supply employ plastic shell, low weight, suitable for ceiling or suspendent installation. LED lifespan:50,000 hours. The lamp should be equipped with emergency power supply,emergency test button and indicator light; when power on,press test button to test whether the emergency function of lamp is normal or not,suitable for occasions require emergency lighting.

Features:

- 1.High quality PC, strong impact resistance,IK08;
- 2.High light transmittance PC cover with soft light, high lighting effect;uniform light, no dark spot;
- 3.High efficient cooling design, LEDs and power supply work in low temperature,and can continue to work in high stability;
- 4.Can on/off frequently,no flicker;
- 5.Compact appearance,novel design, convenient to install and transport;
- 6.Operating environment temperature:-20 °C - 35°C;
- 7.Corrosion-proof grade: slight protection;
- 8.The lamp is equipped with emergency power supply,when power failure,the lamp can continue to work 3 hours at 30% brightness, charging time ≤ 24 hours.



Technical parameters :

Model	CCT	Color	Lumen(lm) (±10%)	Beam angle	LED Type	Voltage frequency	Power(w) (±10%)	Max. current (A)	CRI	PF
FTN-TP-020-AW-W-A-03	5500-6500K	white	2030	120 °	SMD2835	AC100-240V 50/60Hz	20	0.3A	≥80	≥0.9
FTN-TP-020-AW-NW-A-03	4000-4500K	neutral white	2010							
FTN-TP-020-AW-WW-A-03	2700-3200K	warm white	1810							
FTN-TP-020-AW-W-A-04	5500-6500K	white	1750	120 °	SMD2835	AC100-240V 50/60Hz	20	0.3A	≥80	≥0.9
FTN-TP-020-AW-NW-A-04	4000-4500K	neutral white	1750							
FTN-TP-020-AW-WW-A-04	2700-3200K	warm white	1560							
FTN-TP-040-AW-W-A-03	5500-6500K	white	3830	120 °	SMD2835	AC100-240V 50/60Hz	40	0.5A	≥80	≥0.9
FTN-TP-040-AW-NW-A-03	4000-4500K	neutral white	3800							
FTN-TP-040-AW-WW-A-03	2700-3200K	warm white	3490							
FTN-TP-040-AW-W-A-04	5500-6500K	white	3420	120 °	SMD2835	AC100-240V 50/60Hz	40	0.5A	≥80	≥0.9
FTN-TP-040-AW-NW-A-04	4000-4500K	neutral white	3390							
FTN-TP-040-AW-WW-A-04	2700-3200K	warm white	3020							
FTN-TP-050-AW-W-A-03	5500-6500K	white	5030	120 °	SMD2835	AC100-240V 50/60Hz	50	0.6A	≥80	≥0.9
FTN-TP-050-AW-NW-A-03	4000-4500K	neutral white	4990							
FTN-TP-050-AW-WW-A-03	2700-3200K	warm white	4590							
FTN-TP-050-AW-W-A-04	5500-6500K	white	4500	120 °	SMD2835	AC100-240V 50/60Hz	50	0.6A	≥80	≥0.9
FTN-TP-050-AW-NW-A-04	4000-4500K	neutral white	4450							
FTN-TP-050-AW-WW-A-04	2700-3200K	warm white	4050							

03=Emergency lamp with stripe cover series

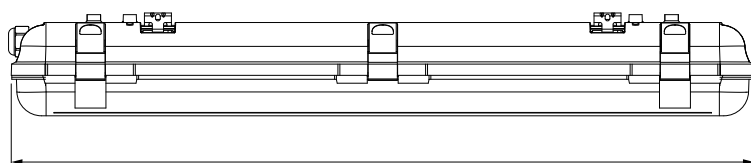
04=Emergency lamp with milky white cover series

Main application:

Tri-proof light can be used in warehouse, parking lot, shopping mall, farm, food factory, cold storage, metro, underground passage and other places.

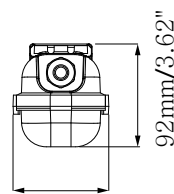


Dimension (Unit:mm):



661mm/26.03"

20W



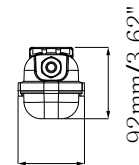
85mm/3.35"

92mm/3.62"



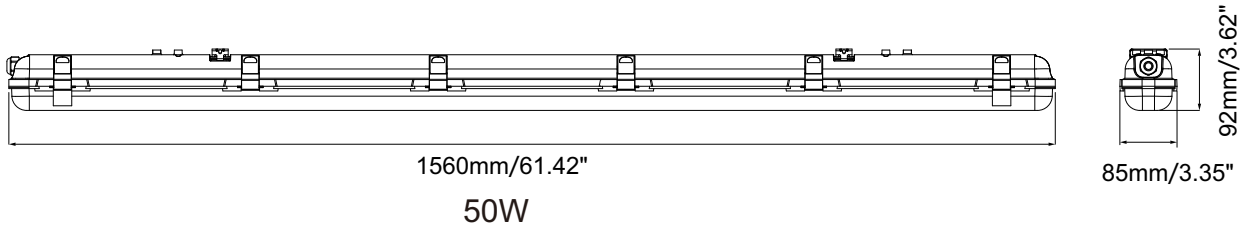
1264mm/49.76"

40W



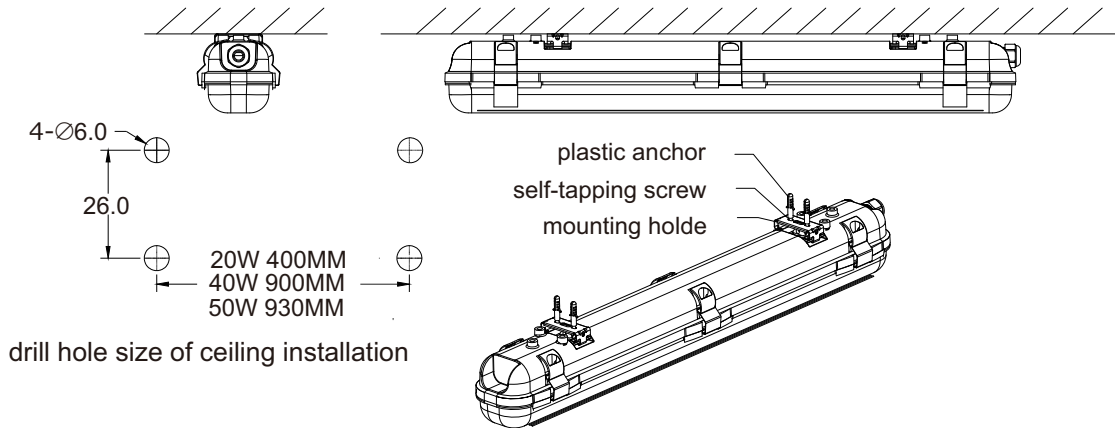
85mm/3.35"

92mm/3.62"

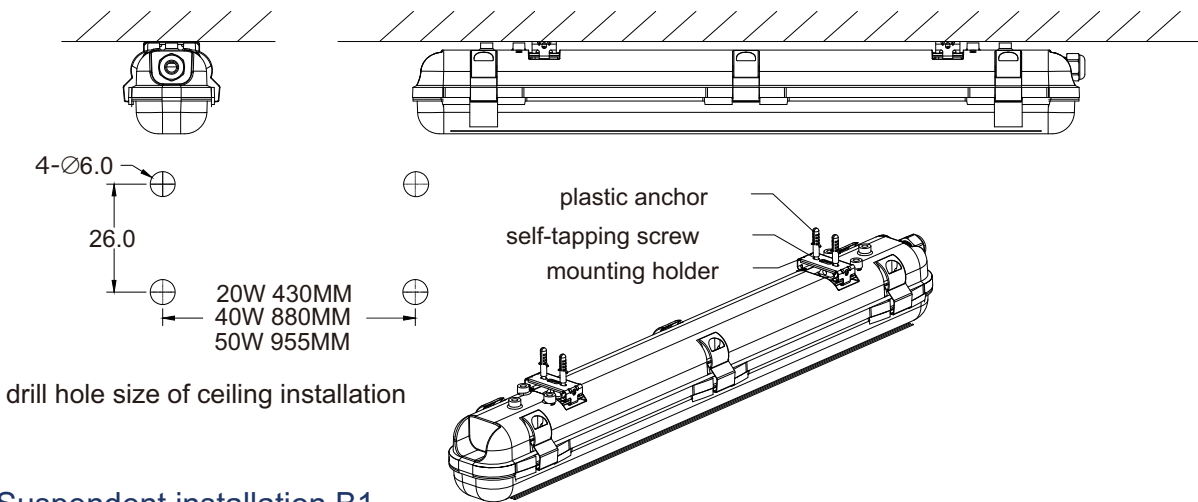


Installation figure:

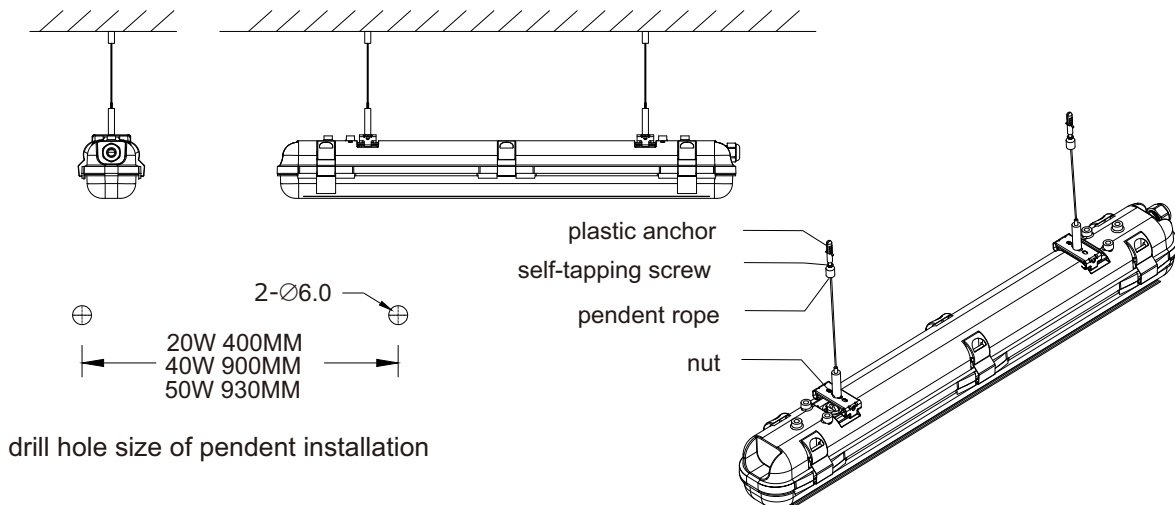
Ceiling installation A1



Ceiling installation A2

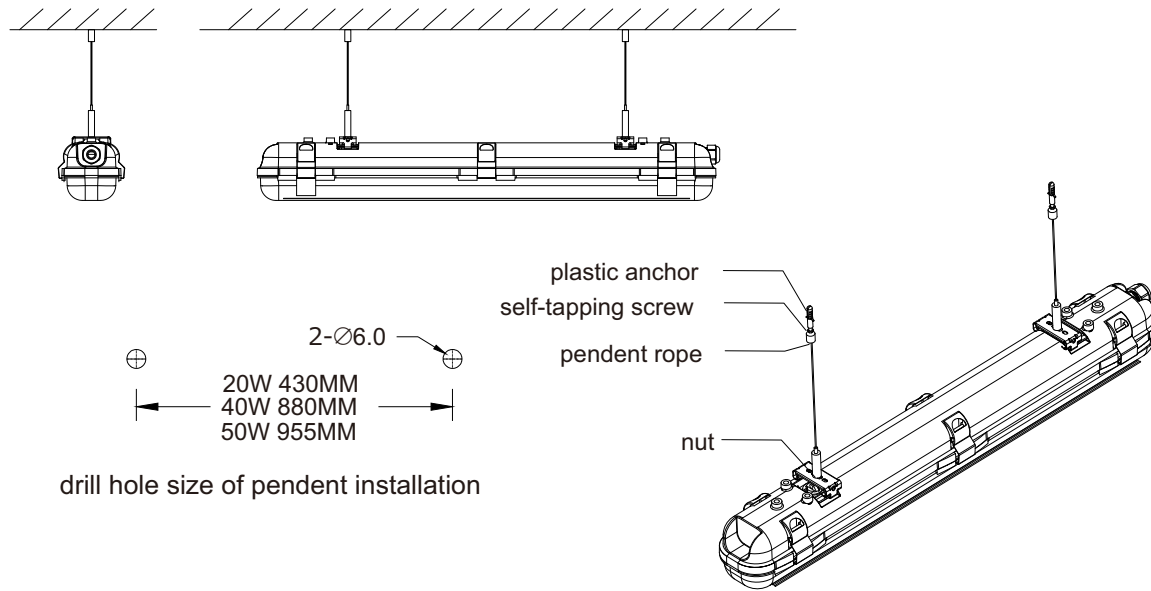


Suspendent installation B1

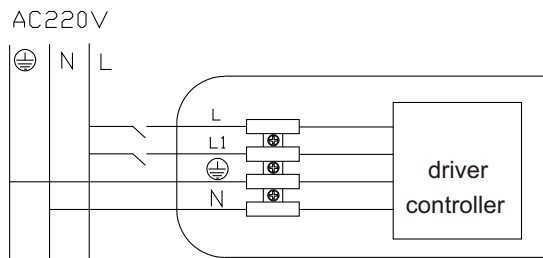




Suspendent installation B2



Connection diagram :



L:ON(off when power on; on when power off);
OFF(turn off emergency function)
L1 : ON (lighting on) ; OFF(lighting off)
L: input end of emergency power wire L
L1:input end of lighting power wire
Remark: according to requirement ,connect different L power terminal

Package information :

Power	Inner packaging dimension	Outer carton dimension	Net weight	Gross weight	Qty.
20W	20W: 705*105*105mm	20W: 725*435*340mm	1.80Kg	2.00Kg	12pcs/Carton
40W	40W: 1320*105*105mm	40W: 1340*330*235mm	2.60Kg	2.90Kg	6pcs/Carton
50W	50W: 1610*105*105mm	50W: 1630*330*235mm	3.20Kg	3.60kg	6pcs/Carton

Installation requirement:

- 1.Power off before installation;
- 2.First make sure the installation material can endure the weight of light,securely fix the lamp onthe installation surface with bolts, then fix the light to the hook of clamp with bolts;
- 3.Connect the lamp wire to the wire of power supply, and process the joint with insulation sealing;
- 4.If you choose suspension installation, please first fix the steel wire on the installation surface, then fix the lamp body to the ring of steel wire with joint, finally adjust the length of steel wire.



Notice:

1. Please first read the product specification carefully, make sure the using environment conform to specification, then it can be used;
2. Please confirm input voltage, frequency before use;
3. The lamp must be installed by professionals;
4. If there is any damage to the power wire or shell of the product, it should be taken as defective product and do not use it;
5. Dangerous high voltage, non-professionals are not allowed to maintain the product;
6. If external soft cable or soft wire of the light is damaged, it should be replaced by manufacturer or service agent or personnel with similar qualification to avoid danger;
7. When connect wire of AC, the terminal shouldn't press to external skin, ensure good contact;
8. Please do not let water enter the internal, please do not knock against the LEDs' surface;
9. Corrosivity in the using environment can't exceed the anti-corrosion grade regulation, if you have special requirement, please first consult with our company.