



Emergency Medium Power Tri-proof Light with Built-in Power Supply TP-020/040/050-B-05



Description:

Tri-proof light is usually used in environment which require water-proof,dust-proof, corrosion-proof lighting, such as shopping mall, warehouse and other indoor places.The lamp features smooth surface,no dust deposition,so it can be ceiling mounted or suspending mounted. The light is equipped with emergency power supply,when power outage,it can continuously work 3 hours with 30% brightness, charging time ≤ 24 hours, suitable for places which need emergency lighting.

Features:

1. Water-proof design without adhesive, so there is no water leakage caused by adhesive aging, convenient to disassemble;
2. Energy-saving and eco-friendly, no UV, no IR, or mercury, RoHS compliant;
3. Aluminum profile+PC, high shatterproof performance, good waterproof performance and anti-aging performance;
4. PC cover with high light transmittance +low power LEDs, uniform luminous surface, no dark spot;
5. High efficient cooling design, LEDs and power supply work in low temperature, high stability in continuous working;
6. Can on/off frequently, no flicker or glare; good color rendering performance;
7. Compact appearance, novel design, easy to install and transport.



Specifications:

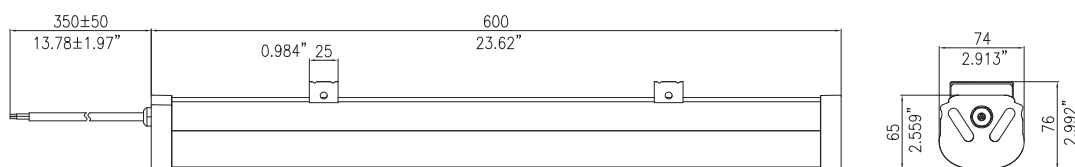
Model	CCT	Lumen(lm) (±10%)	Beam angle	LED Type Quantity	Power(w) (±10%)	Voltage, Frequency, Current	CRI	PF
TP-020-AW-W-B-05	5500-6500K	1620	230°	SMD2835 144pcs	20	AC100-240V 50/60Hz 0.3A	> 80	≥0.9
TP-020-AW-NW-B-05	4000-4500K	1600						
TP-020-AW-WW-B-05	2700-3200K	1570						
TP-040-AW-W-B-05	5500-6500K	3240	230°	SMD2835 336pcs	40	AC100-240V 50/60Hz 0.5A	> 80	≥0.9
TP-040-AW-NW-B-05	4000-4500K	3200						
TP-040-AW-WW-B-05	2700-3200K	3140						
TP-050-AW-W-B-05	5500-6500K	4850	230°	SMD2835 416pcs	50	AC100-240V 50/60Hz 0.6A	> 80	≥0.9
TP-050-AW-NW-B-05	4000-4500K	4770						
TP-050-AW-WW-B-05	2700-3200K	4650						

Application:

Suitable for warehouse, parking lot, shopping mall, farm, factory, cold storage, subway, underground passage, etc.

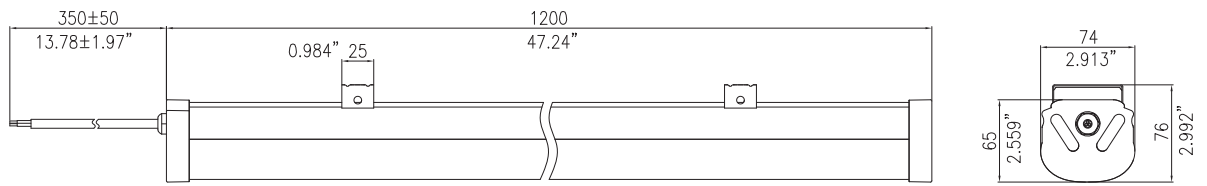


Dimensions (Unit: mm):



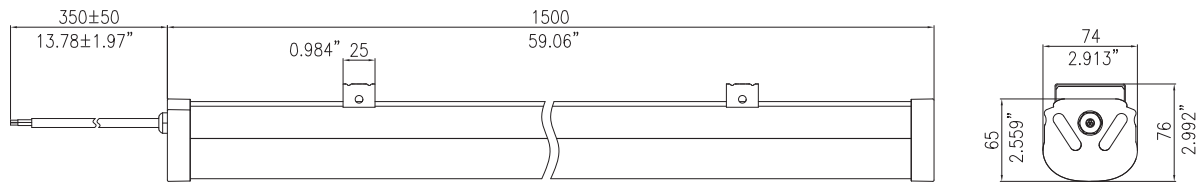
0.6M, 20W

4-core waterproof bare wire exposed from single-end by 350mm



1.2M, 40W

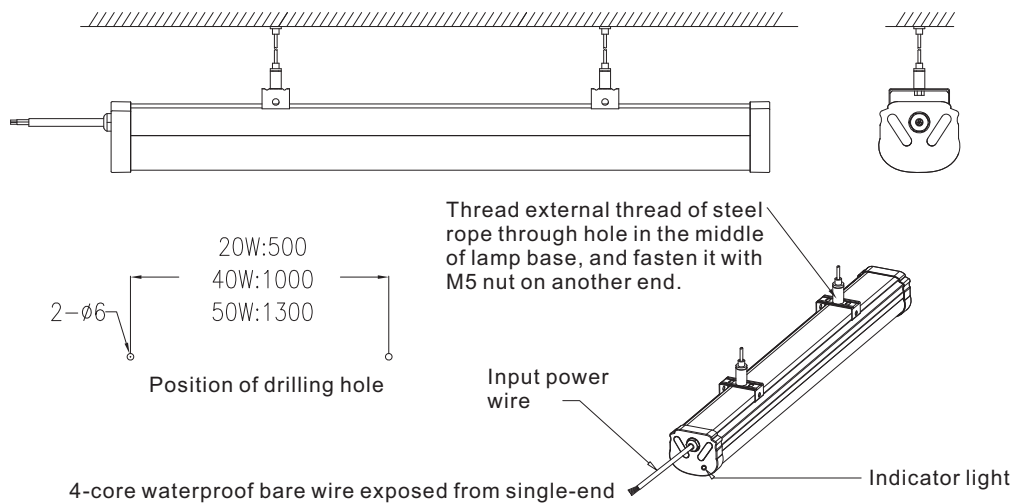
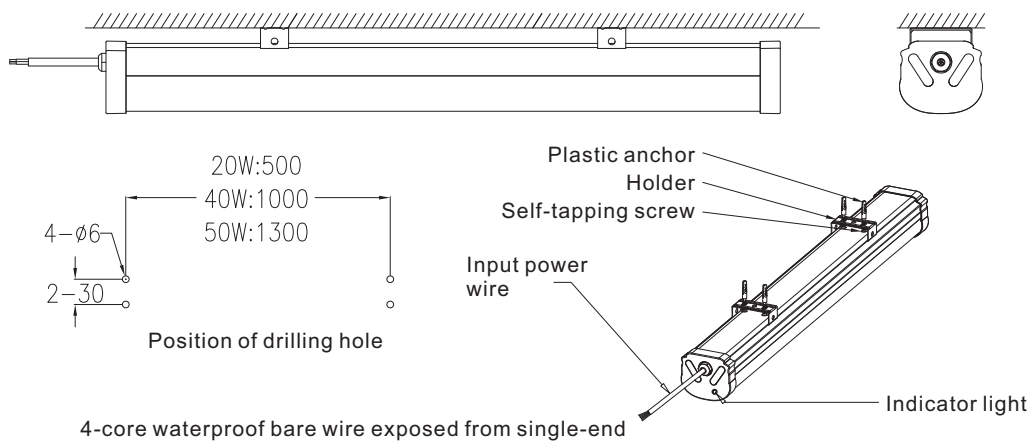
4-core waterproof bare wire exposed from single-end by 350mm



1.5M, 50W

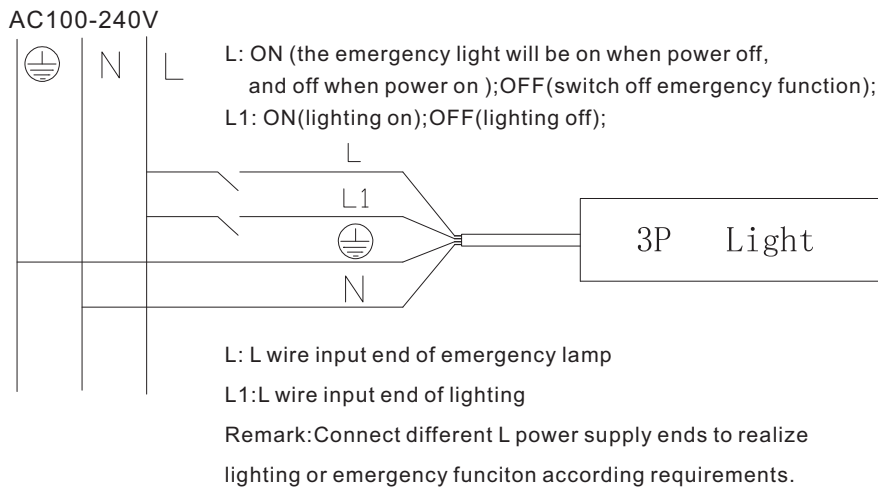
4-core waterproof bare wire exposed from single-end by 350mm

Installation diagram:





Wiring diagram:



Product packing information:

Power	20W	40W	50W
Net weight	1.57kg	2.6kg	2.93kg
Gross weight	1.79kg	2.96kg	3.36kg
Inner box dimension	690*80*80mm	1290*80*80mm	1590*80*80mm
Outer carton dimension	700*340*270mm	1300*340*270mm	1600*340*270mm
Packing qty.	12PCS/carton	12PCS/carton	12PCS/carton

Installation Requirement:

1. Power off before installation;
2. Make sure the installation material can bear lamp weight, and fix the plastic fittings, self-tapping screws on the installation surface securely, then install the lamp into the holder;
3. Connect lamp wire to the power wire; seal the joint with insulation;
4. If choose suspending installation method, please first fix the matching steel rope on the installation surface, thread M5 bolt through hole of $\phi 5.5$ in the middle of holder, and fasten it on another end with M5 nut, install the lamp into holder, finally adjust the length of steel wire to avoid loosening or falling.



! Notice:

1. Please first read the product specification carefully, make sure the using environment conform to specification, then it can be used;
2. Please confirm the input voltage, frequency before use;
3. This product must be installed by professionals;
4. If there is any damage to the power wire or shell of the product, it should be taken as defective product and do not use it;
5. Dangerous high voltage, non-professionals are not allowed to maintain the product;
6. If external soft cable or soft wire of the light is damaged, it should be replaced by manufacture or service agent or personnel with similar qualification to avoid danger.