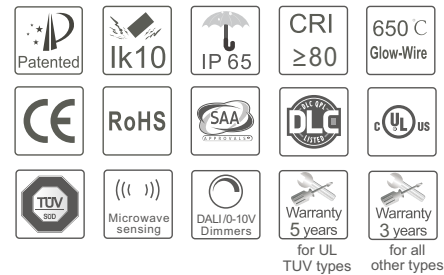
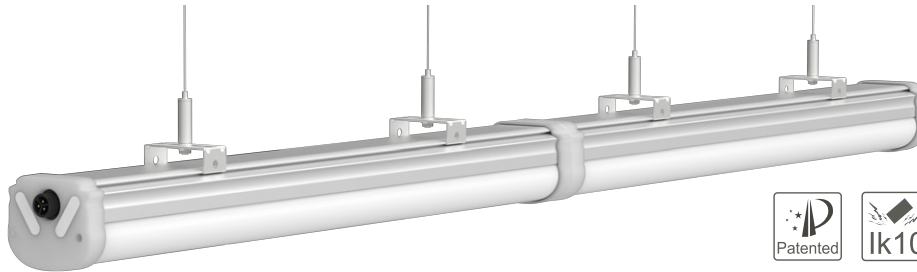




# 20W Tri-proof Light with Built-in Power

TP-020-AW-B-04/07/08/09/10  
FTN-TP-020-AW-B/B1



## Description

Tri-proof light is usually used in environment which require water-proof, dust-proof, corrosion-proof lighting , such as shopping mall, warehouse and other indoor places. The lamp features smooth surface, no dust deposition, so it can be ceiling mounted or suspending mounted.

### Sensor function:

Microwave sensing apply principle of doppler effect, to detect mobile signal, such as movement of human body, vehicles can be trigger signal. Microwave signal can penetrate wooden door, glass panel , wooden wall to detect.

When lamp detect movement of object, the lamp will be full bright ; if lamp hasn't detected movement of object, the output power will degrade to 30%, and the lamp will be full bright when detect movable object again. Compared with IR sensing, Microwave sensing features small size, so it can be built in lamp, at the same time, larger angle and farther distance of microwave sensing make it suitable for parking lot, passageway for occasions which have movement of person and object, and need energy-saving control.

### Function parameters:

Sensing principle: doppler microwave	Detection distance: 0-8m
Retention time: 1 minutes	Detection angle: 180°
Max. power: 100%	Transmitting power: <10mW
Min. power: 30%	Emission frequency: 5.8GHz
	Working environment: -30 ~ 45°

## Features

1. Water-proof design without adhesive, so there is no water leakage caused by adhesive aging, convenient to disassemble
2. Anti-UV cover, it's ideal choice for outdoor use
3. High impact resistance PC cover, IK10
4. High transmittance PC cover transmit soft light, high light efficiency , uniform light ;no dark spot
5. High efficient heat dissipation, LEDs and power supply low temperature rise ,high stability of continuous working
6. Can switch start frequently, no flicker
7. Flexible wiring joint function, such as: direct joint, bare wire joint, IP65 seamless wiring connection, etc
8. No dimming, 1-10V dimming, DALI dimming, sensing control for your option
9. Compact appearance, novel design, easy to install and transport



## Specifications

Model	CCT	Color	Lumen(lm) (±10%)	Beam (angle)	LED Type Quantity	Power(w) (±10%)	Voltage, Frequency	CRI	PF	Product typ.
TP-020-AW-W-B-04	5500-6500K	White	2020	230°	SMD2835 144pcs	20	AC100-277V 50/60Hz	> 80	≥0.9	Outlet joint of bare wire series
TP-020-AW-NW-B-04	4000-4500K	Neutral white	1930							
TP-020-AW-WW-B-04	2700-3200K	Warm white	1850							
TP-020-AW-W-B-07	5500-6500K	White	2020	230°	SMD2835 144pcs	20	AC100-277V 50/60Hz	> 80	≥0.9	0-10V dimming series
TP-020-AW-NW-B-07	4000-4500K	Neutral white	1930							
TP-020-AW-WW-B-07	2700-3200K	Warm white	1850							
TP-020-AW-W-B-08	5500-6500K	White	2020	230°	SMD2835 144pcs	20	AC100-277V 50/60Hz	> 80	≥0.9	DALI dimming series
TP-020-AW-NW-B-08	4000-4500K	Neutral white	1930							
TP-020-AW-WW-B-08	2700-3200K	Warm white	1850							
TP-020-AW-W-B-09	5500-6500K	White	2020	230°	SMD2835 144pcs	20	AC100-277V 50/60Hz	> 80	≥0.9	Microwave sensing series
TP-020-AW-NW-B-09	4000-4500K	Neutral white	1930							
TP-020-AW-WW-B-09	2700-3200K	Warm white	1850							
TP-020-AW-W-B-10	5500-6500K	White	2020	230°	SMD2835 144pcs	20	AC100-277V 50/60Hz	> 80	≥0.9	TUV compliant series
TP-020-AW-NW-B-10	4000-4500K	Neutral white	1930							
TP-020-AW-WW-B-10	2700-3200K	Warm white	1850							
FTN-TP-020-AW-W-B	5500-6500K	White	2020	230°	SMD2835 144pcs	20	AC100-277V 50/60Hz	> 80	≥0.9	UL compliant series
FTN-TP-020-AW-NW-B	4000-4500K	Neutral white	1930							
FTN-TP-020-AW-WW-B	2700-3200K	Warm white	1850							
FTN-TP-020-AW-W-B1	5500-6500K	White	2020	230°	SMD2835 144pcs	20	AC100-277V 50/60Hz	> 80	≥0.9	Seamless connecting UL complan series
FTN-TP-020-AW-NW-B1	4000-4500K	Neutral white	1930							
FTN-TP-020-AW-WW-B1	2700-3200K	Warm white	1850							

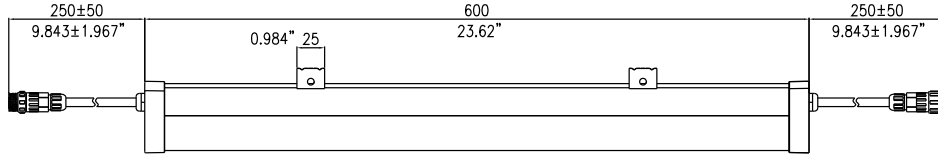
## Application

Suitable for warehouse, parking lot, shopping mall, farm, factory, cold storage, metro, underground passage and other places.

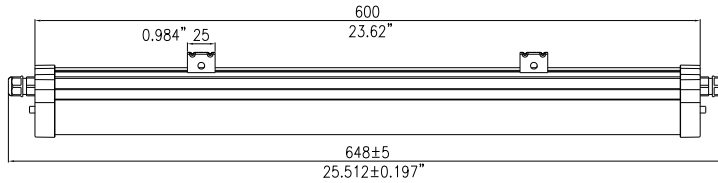
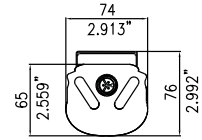




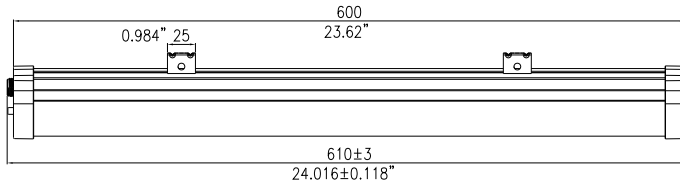
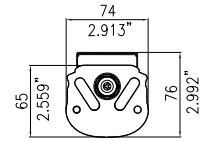
## Dimensions (Unit: mm)



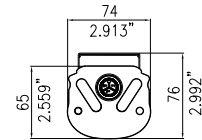
Three-core connecting wire expose from two ends by 250mm, UL compliant.



Three-core waterproof bare wire joint expose from two ends.

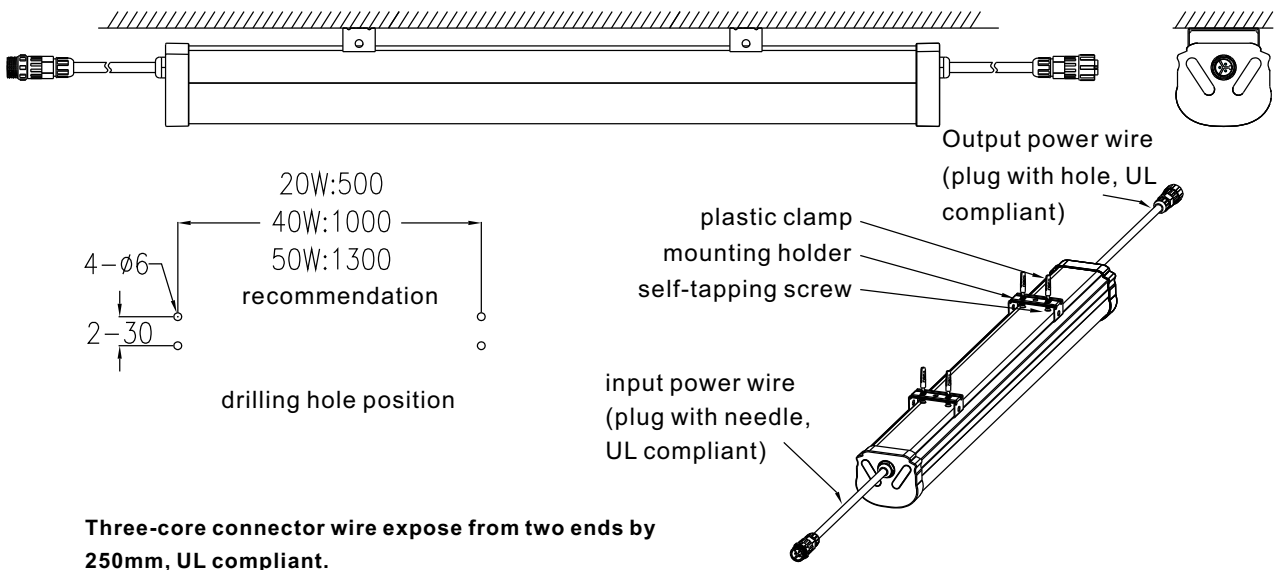


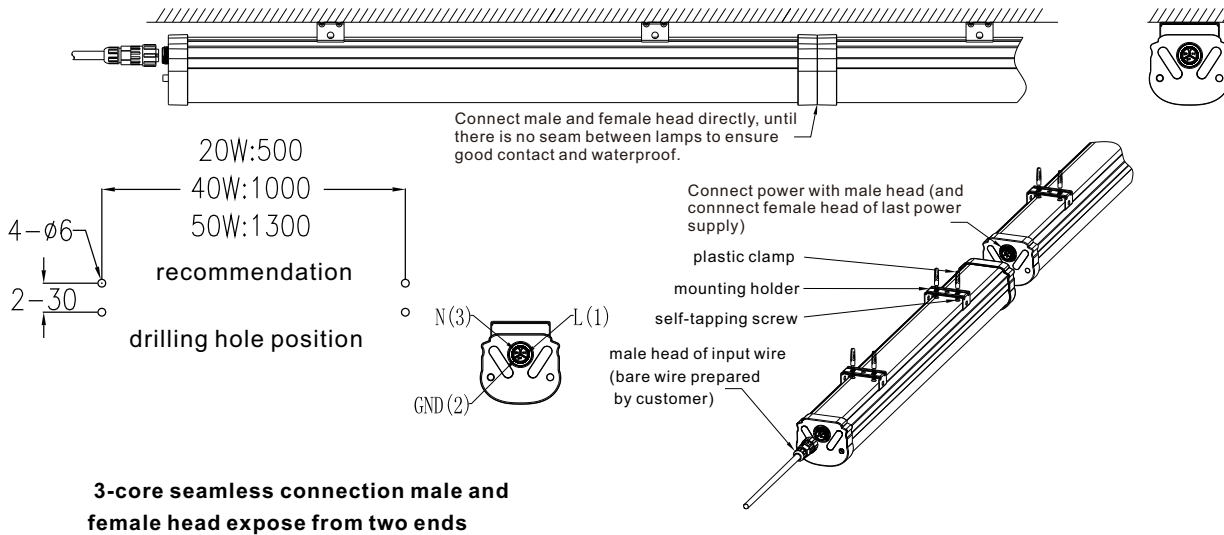
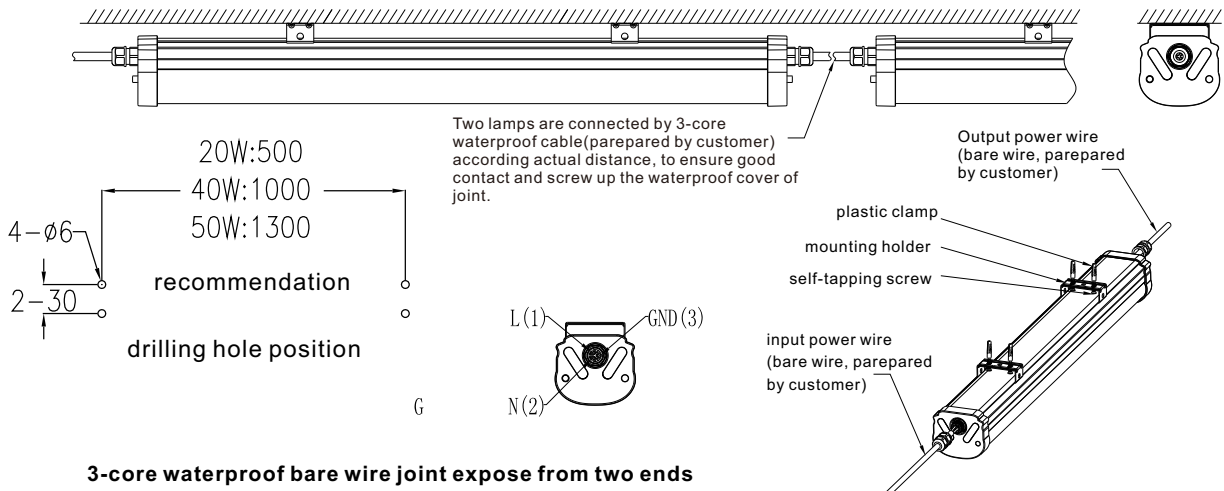
Three-core seamless docking male and female head expose from two ends.



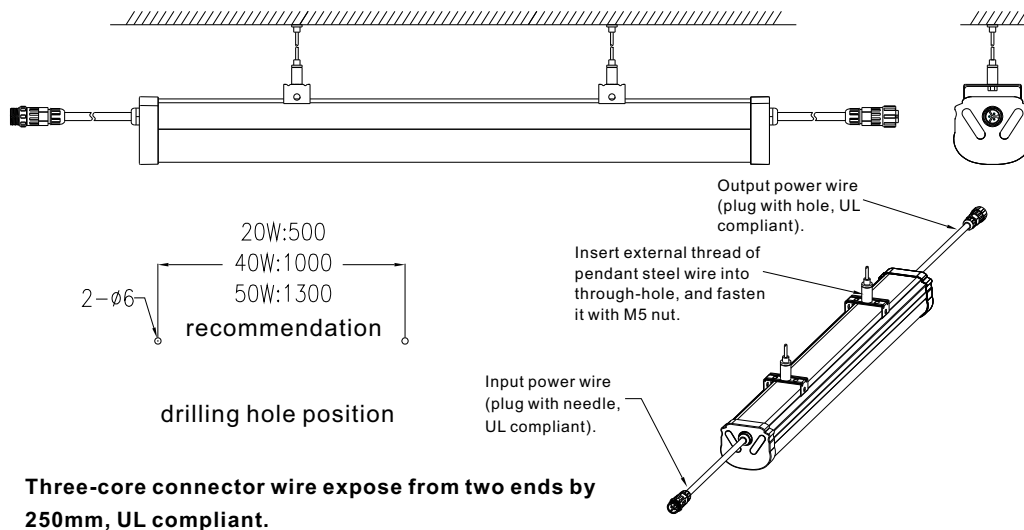
## How to fix

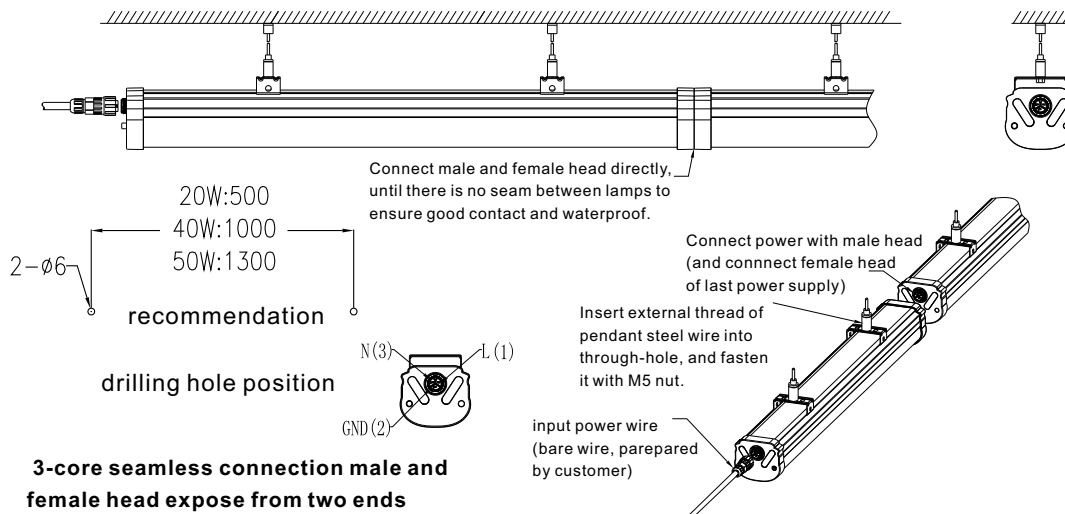
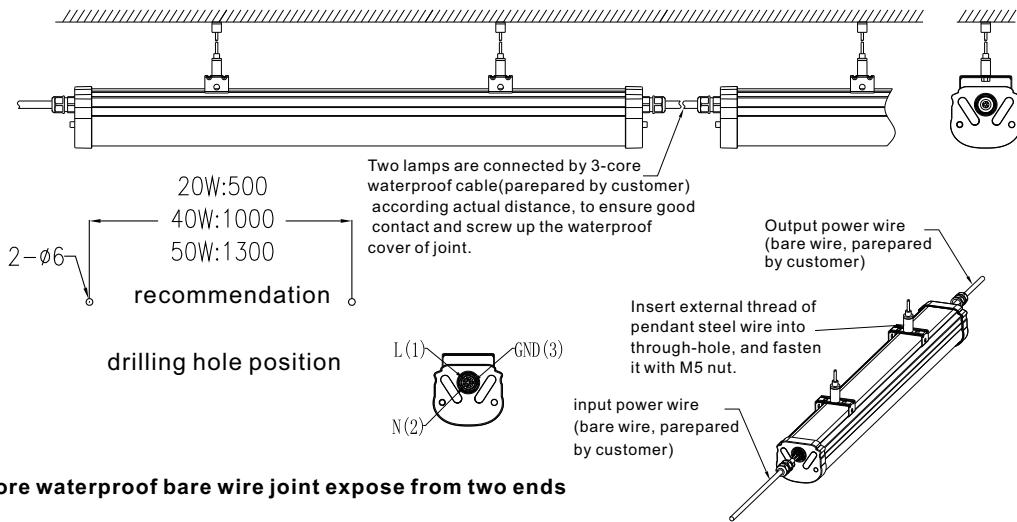
### Ceiling installation





### Suspendent installation

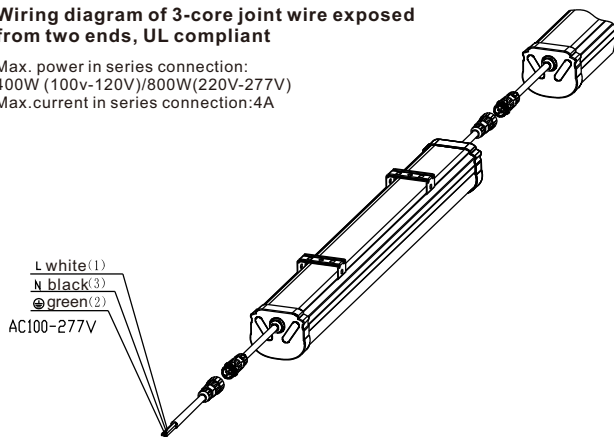




## Wiring diagram of normal and sensor series

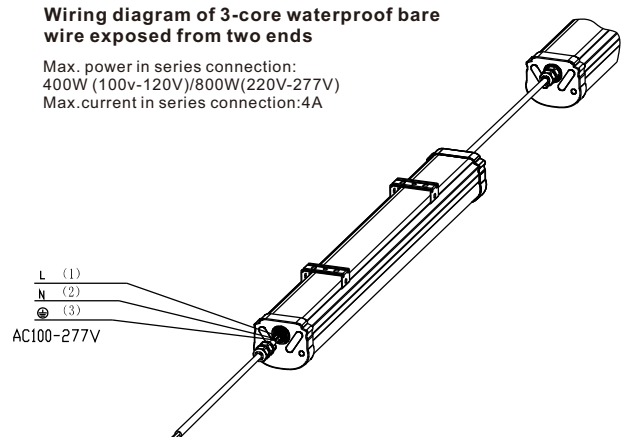
### Wiring diagram of 3-core joint wire exposed from two ends, UL compliant

Max. power in series connection:  
400W (100v-120V)/800W(220V-277V)  
Max.current in series connection:4A



### Wiring diagram of 3-core waterproof bare wire exposed from two ends

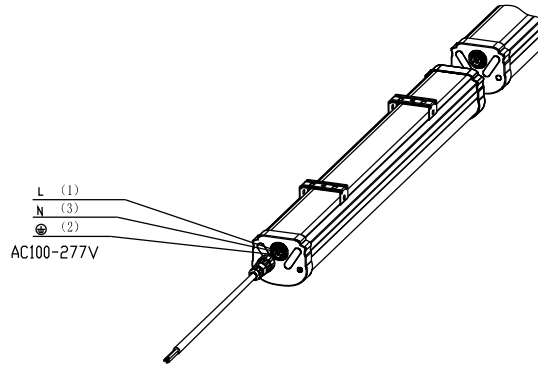
Max. power in series connection:  
400W (100v-120V)/800W(220V-277V)  
Max.current in series connection:4A





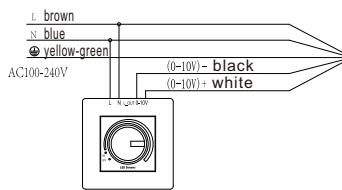
### Wiring diagram of seamless connection

Max. power in series connection:  
400W (100v-120V)/800W(220V-277V)  
Max.current in series connection:4A

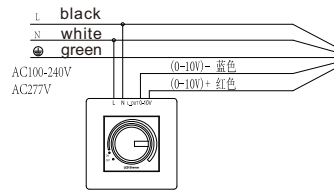


## 0-10V Dimming wire diagram

1. European safety standards

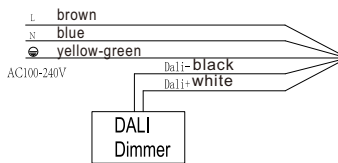


2. American safety standards

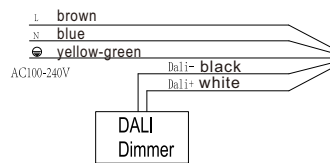


## DALI Dimming Wiring Diagram

1. European safety standards



2. American safety standards



## Packing and accessories information

Net weight:1.06kg      Gross weight: 1.2kg

Single package dimension:690\*80\*80mm

Outer carton dimension:700\*340\*270mm,12pcs/caron (gross weight 14kg)

Ceiling installation accessories (including 2 pieces mounting holder, 4 pieces self-tapping screws, plastic holder, M5 nut ) For UL and seamless connection series, after calculate lamp qty., connect male head and end cover according 1 pcs/pair.



## Installation requirement

- 1.Power off before installation;
- 2.First make sure the installation material can endure the weight of lamp, securely fix the clip with plastic clamp and self-tapping screws on the installation surface, then snap the lamp into clip;
- 3.Connect the light wire to the wire of power supply, and process the joint with insulation sealing;
- 4.If you choose pendent installation, fix the steel wire on the installation surface, cross the M5 bolt of one end of steel wire through  $\phi 5.5$  hole, and fasten with M5 nut at another end; snap the lamp into clamp, finally adjust the length of steel wire to prevent losing and falling.

## Notice

- 1.Please first read the product specification carefully, make sure the using environment conform to specification, then it can be used;
- 2.Please confirm the input voltage, frequency before use;
- 3.This product must be installed by professionals;
- 4.If there is any damage to the power wire or shell of the product, it should be taken as defective product and do not use it;
- 5.Dangerous high voltage, non-professionals are not allowed to maintain the product; If external soft cable or soft wire of the light is damaged, it should be replaced by manufacture or service agent or personnel with similar qualification to avoid danger.