



LED Wallpack

WPHC-045

WPHC-070

WPHC-100



Up to 110lm/w

Easy installation bracket(option)

More compact,45w/70w/100w in one enclosure

Photocell control(option)

Dark bronze,dirt-resistant



Product Feature:

- 1.The die-cast fixture after anti corrosion treatment is heavy-duty and reliable.
- 2.Polyester powder-coated finish, rust and corrosion proof
- 3.Anti-glare and UV resistance PC
- 4.Use a unique heat sink design to shorten the thermal pass way
- 5.Using small drive current, LED package will have a longer L(70)



Technical Parameter

Modle	Color	Lumen	Beam Angle	LED	Power(W)	Input	CRI
WPHC-045-AW-W	White	4600	110	324pcs 0.2w 2835	45	AC 100-240V 50-60Hz	80
WPHC-045-AW-NW	Neutral White	4500	110	324pcs 0.2w 2835	45	AC 100-240V 50-60Hz	80
WPHC-045-AW-WW	Warm White	4100	110	324pcs 0.2w 2835	45	AC 100-240V 50-60Hz	80
WPHC-070-AW-W	White	7600	110	156pcs 1W 2835	70	AC 100-240V 50-60Hz	80
WPHC-070-AW-NW	Neutral White	7500	110	156pcs 1W 2835	70	AC 100-240V 50-60Hz	80
WPHC-070-AW-WW	Warm White	7000	110	156pcs 1W 2835	70	AC 100-240V 50-60Hz	80
WPHC-100-AW-W	White	10500	110	234pcs 1W 2835	100	AC 100-240V 50-60Hz	80
WPHC-100-AW-NW	Neutral White	10200	110	234pcs 1W 2835	100	AC 100-240V 50-60Hz	80
WPHC-100-AW-WW	Warm White	9500	110	234pcs 1W 2835	100	AC 100-240V 50-60Hz	80

Notice:

Lumen tolerance $\pm 10\%$

Power tolerance $\pm 10\%$

Photocell sensor: 120V/220V/277V

Modle Slection Guidance

Example:

WPHC-045-AW-WW -XX XX could be 01,02,11,12

11:Normal type 0.5m with cable and mounting bracket

12:Normal type with photocell

01:UL type with no cable or mounting bracket

02:UL type with photocell



Application

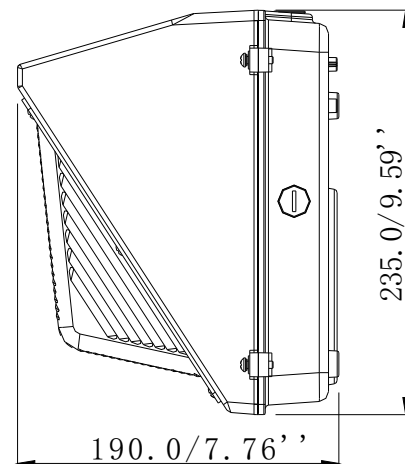
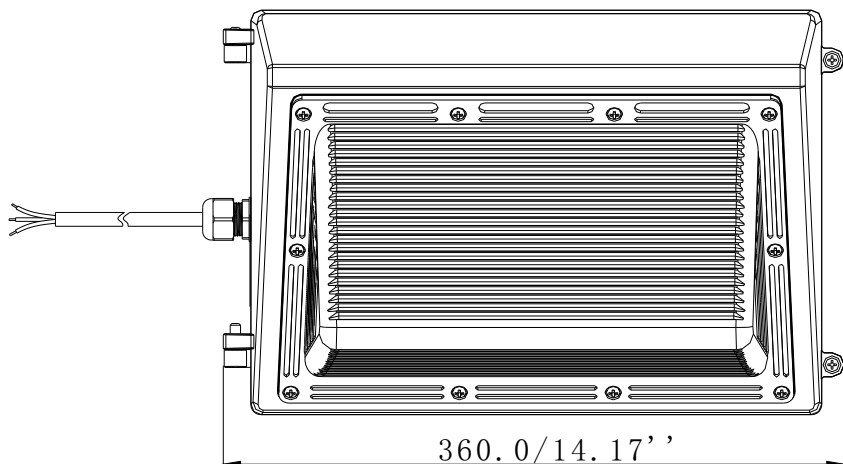
Parking area, garden, backyard, walkway, passway, tunnel etc...





Product size (Unit:mm/inch) :

Normal type/ WPHC-045/070/100-AW-WW/NW/W-11/12



Package Information

Inner carton

WPHC-045/070/100 390*320*260(mm)

Net Weight

WPHC-045 3.2KG WPHC-070 3.4KG WPHC-100 4.1KG

Gross Weight

WPHC-045 4.1KG WPHC-070 4.3KG WPHC-100 5.0KG

Outer carton(4pcs/carton)

WPHC-045/070/100 620*405*545(mm)

Gross Weight

WPHC-045 18.3KG WPHC-070 19.1KG WPHC-100 21.9KG

Installation instructions

Normal type installation

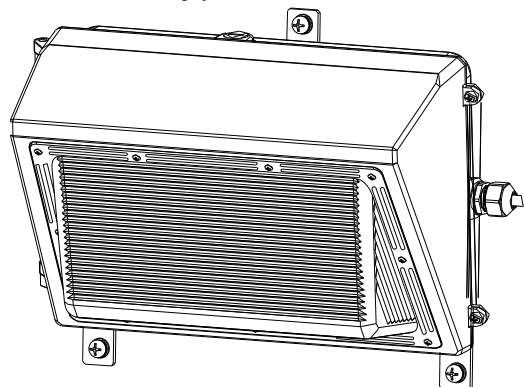


Figure 1

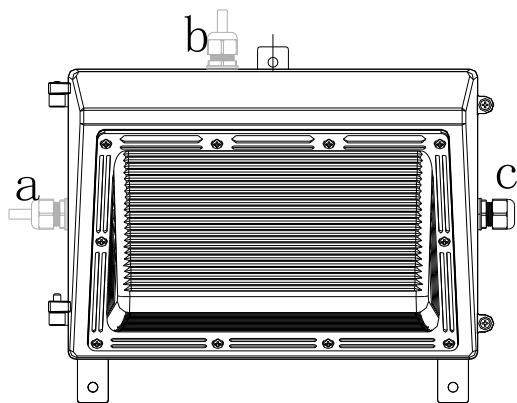


Figure 2 mounting feet

1.As Figure 2 shows,confirm wiring direction and adjust position of fastening feet

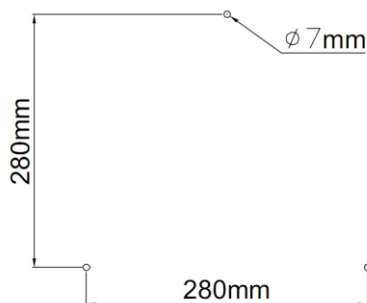


Figure 3

2.Punch mounting holes in wall according to Figure 3

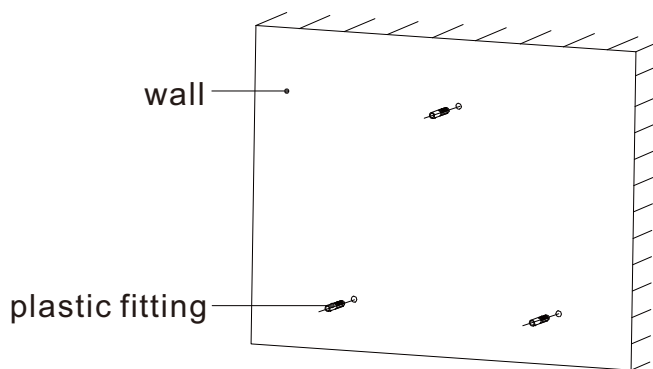


Figure 4

3.Install fittings in the hole

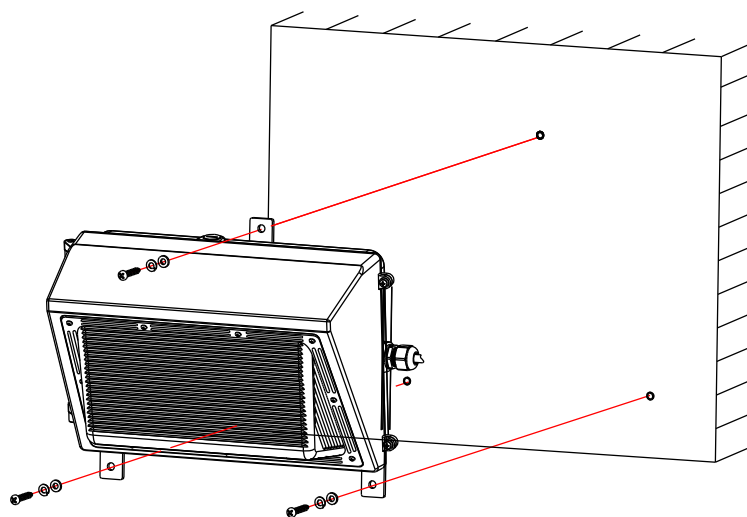


Figure 5

4.The screw components fix back cover to position of plastic fittings

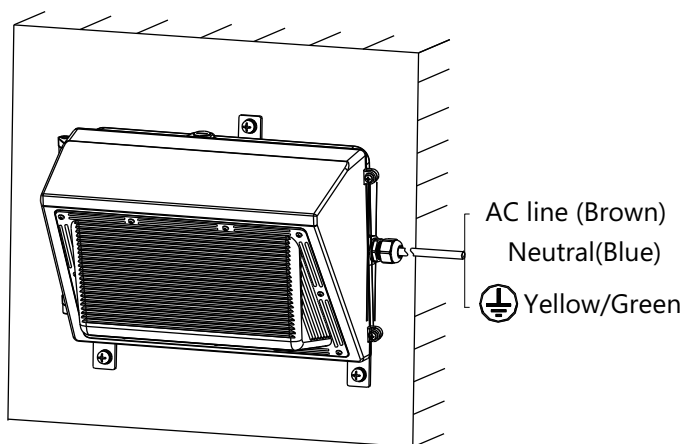


Figure 6

5.Take upper cover apart,thread AC wire through back cover ,connect to power input wire,install upper cover and back cover(power need to be hidden inside of lamp body)



Installation requirement

- 1.This luminaire is designed for wall-mount,do not mount it on ceiling or ground.
- 2.Make sure the power is cut off before installation;
- 3.Make sure the wall is thick and tough enough to hold the luminaires;

Warnings

- 1.Refer to the specification and instruction before installation;
- 2.Make sure the luminaire is connected to the referenced voltage;
- 3.The luminaire must be installed by professional electrician;
- 4.If the enclosure or cable is broken ,do not try to install or repair, please contact the manufactory or local agency.