



## Cree Wall Washer

### SC-CWW18/36



Cree wall washer employ high quality Cree LEDs of high power, stable overall performance, high efficiency; the lamp body, end cap employ aluminum alloy, high strength structure design, silicon sealing material and toughened glass cover, ensure cooling, waterproof and impact-resistant performance. Use multi-angle lens for light distribution, uniform color, changes smoothly, further improve the product adaptability to different environment, realize energy saving and eco-friendly, safe and durable, high efficiency and applicable.

#### Features:

1. Aluminum alloy lamp body, excellent cooling performance;
2. Toughened glass cover, durable;
3. Ingress protection up to IP65 ;
4. Constant-voltage DC 24V driver, safe and stable;
5. Adopt CREE high quality LEDs;
6. Secondary light distribution, optional multi-angle lens;
7. Operating environment-20°-+40°;
8. RoHS and CE compliant;
9. Electric shock protection grade: III;
10. Corrosion-proof grade: W.



## Technical parameters :

Model	CCT/ Waveform length	Color	Lumen (lm) (±10%)	Power (W) (±10%)	Current (TYP)	LED qty.	CRI	Dimension (mm)	LED Type	Voltage (±5%)	Beam angle	
SC-CWW18-W-YY	5500-6500K	White	1050	22	0.9A	18pcs	/	509	CREE	DC24V	15/25 /45	
SC-CWW18-NW-YY	4000-4500K	Neutral white	1010	22	0.9A	18pcs						
SC-CWW18-WW-YY	2700-3200K	Warm white	800	22	0.9A	18pcs						
SC-CWW18-R-YY	620-630mm	Red	520	15	0.625A	18pcs						
SC-CWW18-G-YY	520-353mm	Green	980	22	0.9A	18pcs						
SC-CWW18-B-YY	465-475mm	Blue	380	22	0.9A	18pcs						
SC-CWW18-Y-YY	585-595mm	Yellow	450	15	0.625A	18pcs						
SC-CWW18-RGB-YY	/	RGB	367	22	0.9A	18pcs						
SC-CWW36-W-YY	5500-6500K	White	2400	45	1.87A	36pcs	/	1000	CREE	DC24V	15/25 /45	
SC-CWW36-NW-YY	4000-4500K	Neutral white	2200	45	1.87A	36pcs						
SC-CWW36-WW-YY	2700-3200K	Warm white	1700	45	1.87A	36pcs						
SC-CWW36-R-YY	620-630mm	Red	1030	30	1.25A	36pcs						
SC-CWW36-G-YY	520-353mm	Green	2060	45	1.87A	36pcs						
SC-CWW36-B-YY	465-475mm	Blue	726	45	1.87A	36pcs						
SC-CWW36-Y-YY	585-595mm	Yellow	980	30	1.25A	36pcs						
SC-CWW36-RGB-YY	/	RGB	520	30	1.25A	36pcs						
SC-CWW36-RGB-YY	/	RGB	1025	60	2.5A	36pcs						
SC-CWW36-RGBW-YY	/	RGBW	1090	72	3A	18pcs						
									Edison			
									prolight 4in1 RGBW LED			

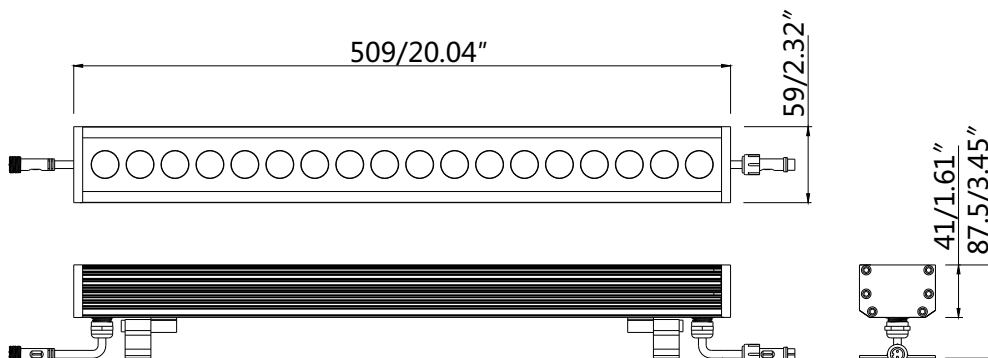
YY represent serial number,used to distinguish specific model generated from different angle, above parameters are tested at the maximum angle.

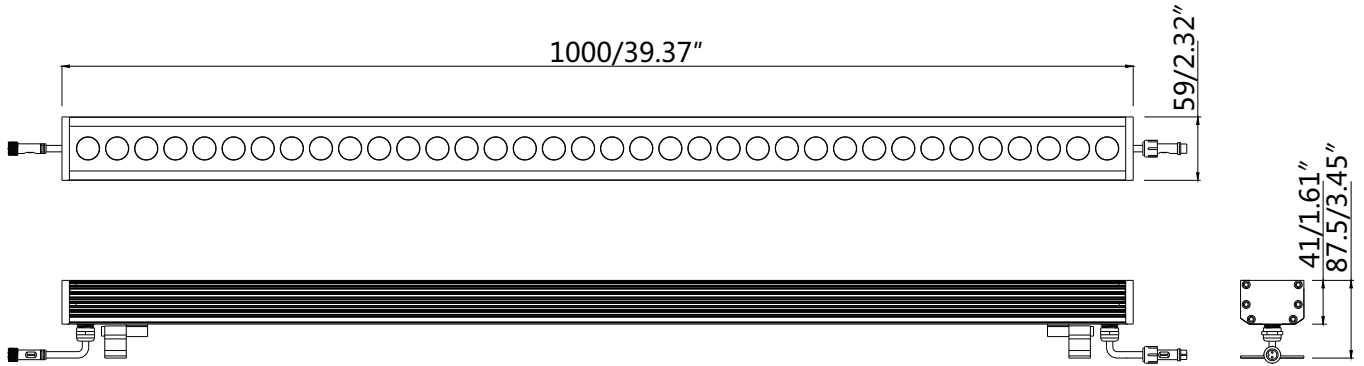
## Application:

Suitable for landscape lighting and architectural lighting; include decoration lighting of hotel, villa, square, courtyard, and business and panoramic lighting of subway, elevated overpass, building exterior wall, building landmark, etc.

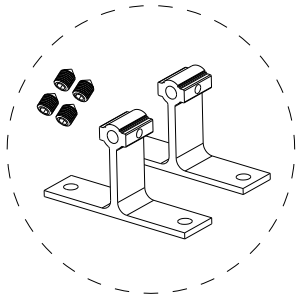


## Dimension (Unit:mm/inch):

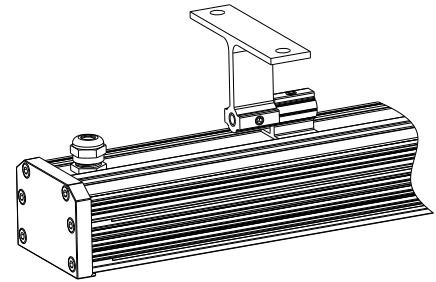
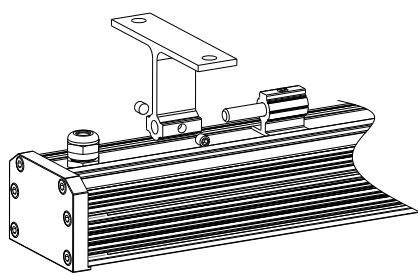




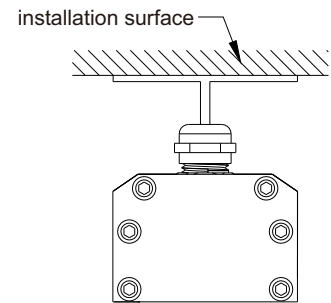
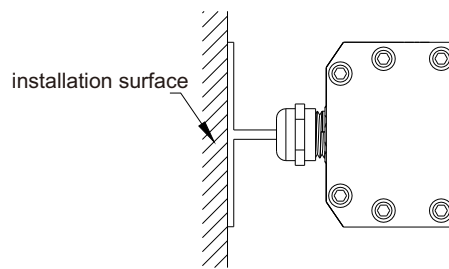
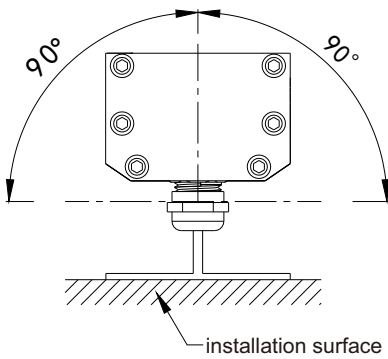
### Installation diagram :



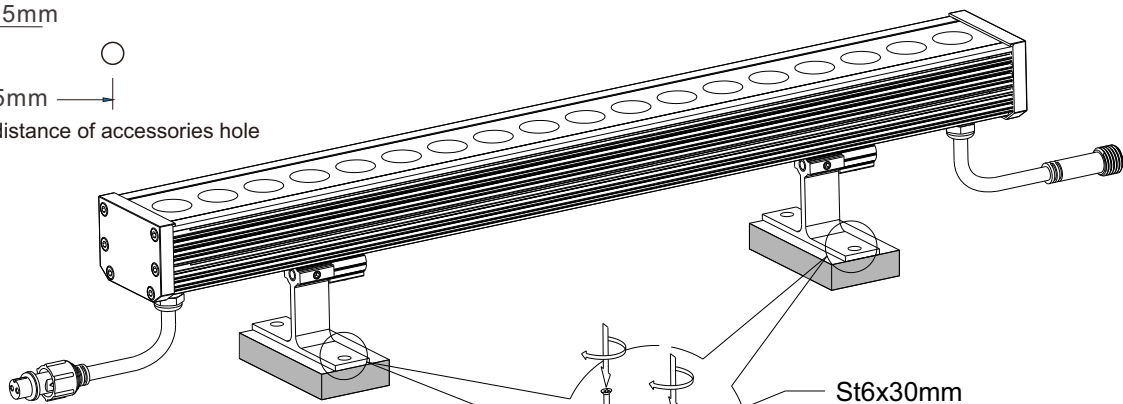
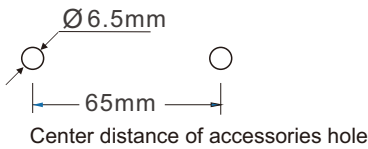
accessories



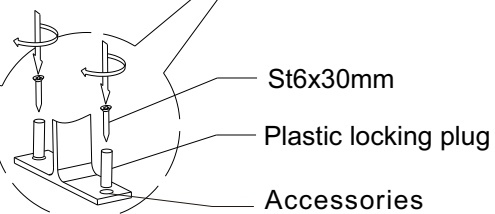
#### 1. Install accessories on the lamp



#### 2. Confirm the installation surface of product



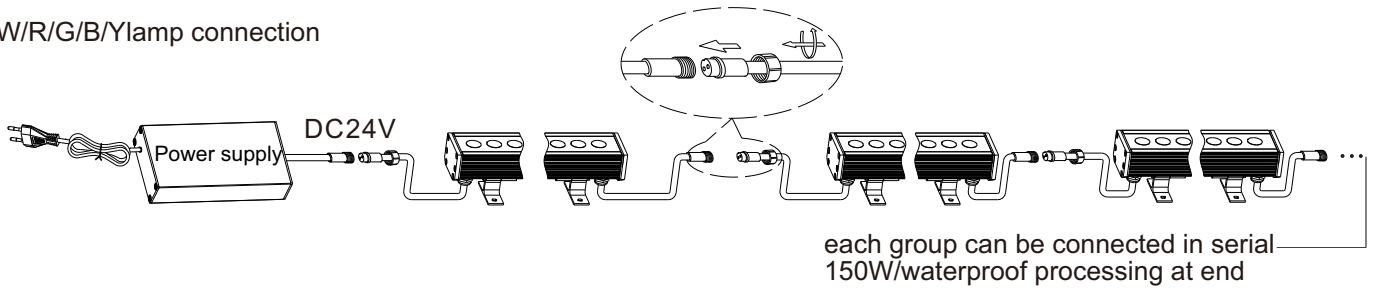
#### 3. Drill hole according to dimension, and fasten the lamp on installation surface (bolts/Plastic locking plug);



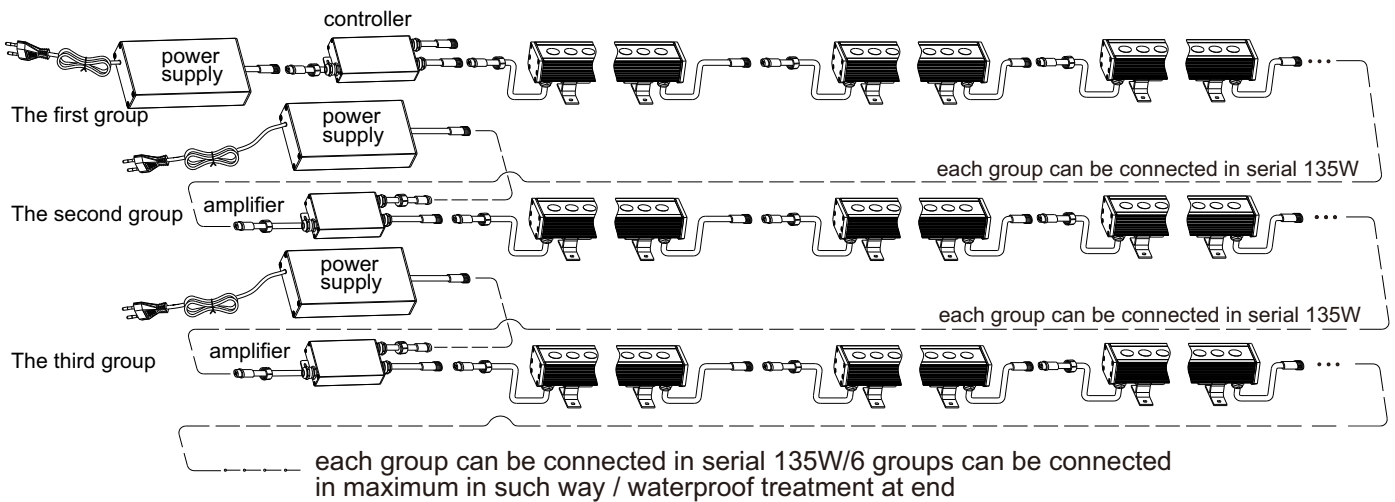


## Connection diagram:

W/R/G/B/Y lamp connection



RGB lamp connection



Remark:

- 1.Max. distance between two lamps can't exceed 5M;
- 2.W/R/G/B/Y lamp wiring: blue/red wire is connected to negative polarity of power supply, brown/black wire is connected to positive polarity of power supply;
- 3.RGB lamp wiring:blue wire is connected to negative polarity of blue light;green wire is connected negative polarity of green light;red wire is connected negative polarity of red light;positive polarity share black;
- 4.Max. load power of power supply,controller,amplifier need to exceed total power of lamp serial connection.

## Packing information :

Specification and dimension	0.5M	0.1M
Dimension of inner box	580X104X98mm	1080X104X98mm
Dimension of outer carton	590X332X320mm	1090X332X320mm
Packing qty.	9pcs/carton	9pcs/carton
Net weight of product	1.15kg	2.13kg
Gross weight of product	1.6kg	2.7kg
Gross weight of whole carton	15.2kg	25.4kg



### **Installation requirements:**

- 1.Prepare installation bolts by yourself;
- 2.Power off before installation;
- 3.Make sure installation material can endure the weight of lamp,and fix the lamp on installation material reliably;
- 4.Connect the lamp wire to wire of power supply,and seal the joint with waterproof treatment;
- 5.Lamp connection method and qty. refer to installation drawing.

### **! Notice:**

- 1.Please first read the product specification carefully,make sure the using environment conform to specification, then it can be used;
2. Please confirm the input voltage before use;
- 3.This product must be installed by professionals;
- 4.If there is any damage to the power wire or shell of the product,it should be taken as defective product and do not use it;
- 5.Dangerous high voltage,non-professionals are not allowed to maintain the product;
- 6.If external soft cable or soft wire of the light is damaged, it should be replaced by manufacture or service agent or personnel with similar qualification to avoid danger;
7. It is forbidden to use the products in water environment;
8. Buried installation and using is forbidden;
- 9.W corrosion-proof grade, and corrosion-proof grade of operation environment is limited to bearable range.