



## Edison Wall Washer

XL-009/012/018/024

SC-HWW18/36



Edison wall washer employ high quality LEDs of high power, and adopt linear constant-current driver, stable performance, high lighting effect; The lamp body, end cap employ aluminum alloy, high strength structure design, silicon sealing material and toughened glass cover, ensure cooling, waterproof and impact-resistant performance. Use multi-angle lens for light distribution, uniform color, changes smoothly, further improve the product adaptability to different environment, realize energy saving and eco-friendly, safe and durable, high efficiency and applicable.

### Features:

1. Aluminum alloy lamp body, excellent cooling performance;
2. Toughened glass cover, durable;
3. Ingress protection up to IP65;
4. Constant-voltage 24V driver, safe and reliable;
5. Employ CREE, Edison LEDs;
6. Single LEDs, independent lens light distribution, accurately realize lighting requirement;
7. Operating environment -20°-+40°;
8. RoHS and CE compliant;
9. Anti-electric shock grade: III;
10. Corrosion-proof grade: W.



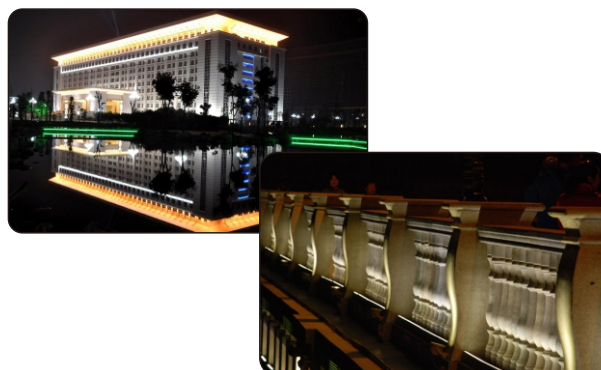
## Technical parameters :

Model	CCT/ Waveform length	Color	Lumen(lm) (±10%)	Power(W) (±10%)	Current (TYP)	LED qty.	CRI	Dimension (mm)	LED Type	Voltage (±%5)	Beam angle
SC-HWW18-W-YY	5500-6500K	White	1380	22	0.9A	18pcs	> 70	556	Edison	DC24V	8/18/30/ 45/60/ 15x50
SC-HWW18-WW-YY	4000-4500K	Neutral white	1260	22	0.9A	18pcs					
SC-HWW18-NW-YY	2700-3200K	Warm white	1300	22	0.9A	18pcs					
SC-HWW18-R-YY	620-630nm	Red	500	15	0.625A	18pcs					
SC-HWW18-G-YY	520-535nm	Green	860	22	0.9A	18pcs					
SC-HWW18-B-YY	465-475nm	Blue	260	22	0.9A	18pcs					
SC-HWW18-Y-YY	585-595nm	Yellow	780	15	0.625A	18pcs					
SC-HWW18-RGB-YY	—	RGB	840	22	0.9A	18pcs					
SC-HWW36-W-YY	5500-6500K	White	2400	45	1.87A	36pcs	> 70	1046	DC24V	8/18/30/ 45/60/ 15x50	
SC-HWW36-WW-YY	4000-4500K	Neutral white	2100	45	1.87A	36pcs					
SC-HWW36-NW-YY	2700-3200K	Warm white	2200	45	1.87A	36pcs					
SC-HWW36-R-YY	620-630nm	Red	1018	30	1.25A	36pcs					
SC-HWW36-G-YY	520-535nm	Green	1500	45	1.87A	36pcs					
SC-HWW36-B-YY	465-475nm	Blue	420	45	1.87A	36pcs					
SC-HWW36-Y-YY	585-595nm	Yellow	1500	30	1.25A	36pcs					
SC-HWW36-RGB-YY	—	RGB	1950	45	1.87A	36pcs					
XL-009-D3-W-YY	5500-6500K	White	800	9	0.37A	9pcs	> 70	556	DC24V	8/18/30/ 45/60/ 15x50	
XL-009-D3-WW-YY	4000-4500K	Neutral white	790	9	0.37A	9pcs					
XL-009-D3-NW-YY	2700-3200K	Warm white	700	9	0.37A	9pcs					
XL-012-D3-W-YY	5500-6500K	White	1100	12	0.5A	12pcs					
XL-012-D3-WW-YY	4000-4500K	Neutral white	1010	12	0.5A	12pcs					
XL-012-D3-NW-YY	2700-3200K	Warm white	970	12	0.5A	12pcs					
XL-018-D3-W-YY	5500-6500K	White	1700	18	0.75A	18pcs		SMD3030			
XL-018-D3-WW-YY	4000-4500K	Neutral white	1680	18	0.75A	18pcs					
XL-018-D3-NW-YY	2700-3200K	Warm white	1400	18	0.75A	18pcs					
XL-024-D3-W-YY	5500-6500K	White	2200	24	1A	24pcs		1046			
XL-024-D3-WW-YY	4000-4500K	Neutral white	2010	24	1A	24pcs					
XL-024-D3-NW-YY	2700-3200K	Warm white	1900	24	1A	24pcs					

YY represent serial number,used to distinguish specific model generated from different angle, above parameters are tested at the minimum angle.

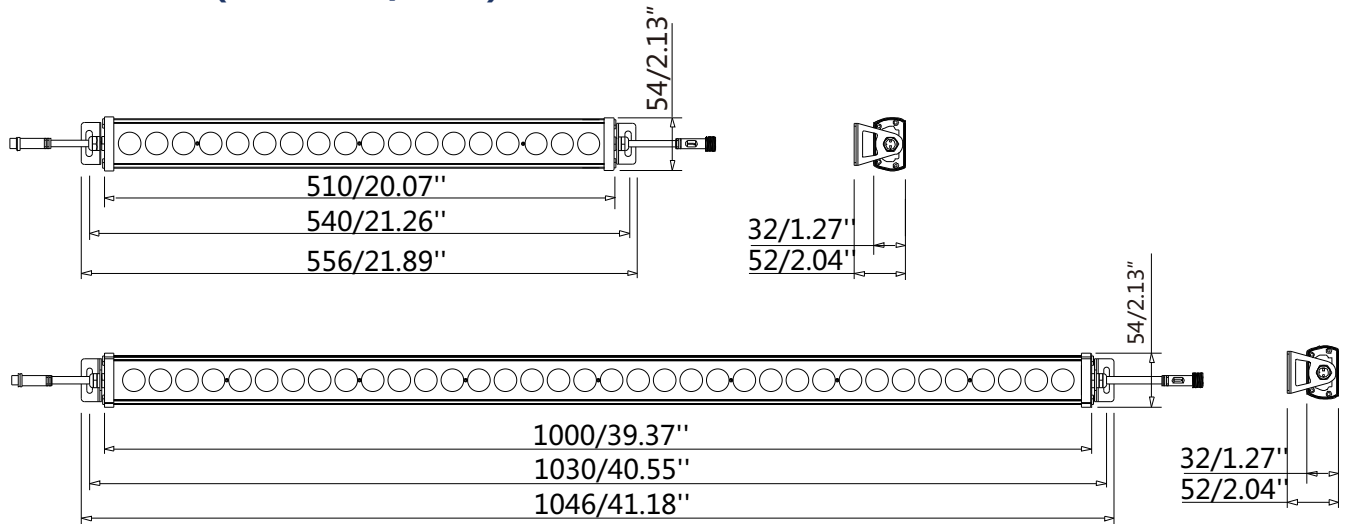
### Application:

Suitable for landscape lighting and architectural lighting; include decoration lighting of hotel, villa, square, courtyard, and business and panoramic lighting of subway, elevated overpass, building exterior wall, building landmark, etc.



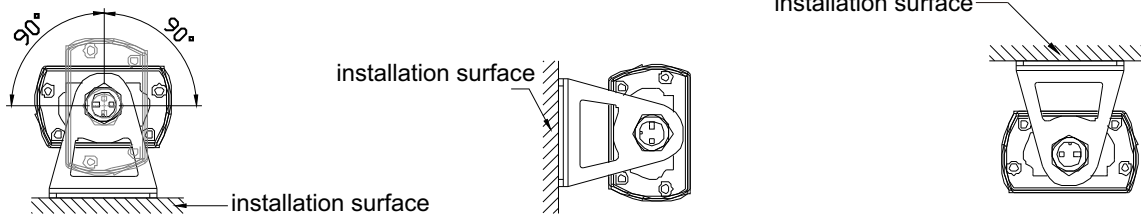


### Dimension (Unit:mm/inch):

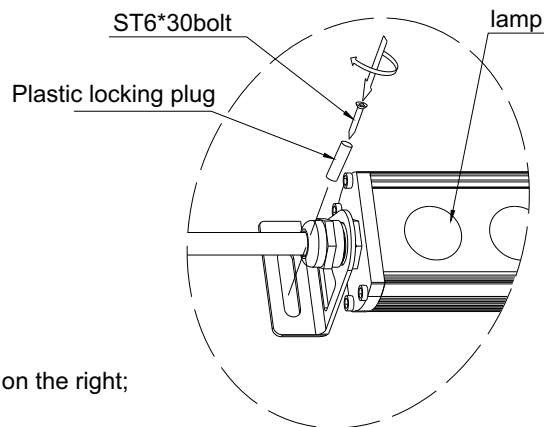
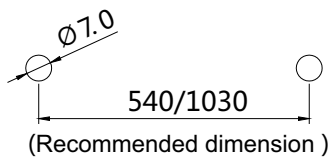


### Installation diagram:

Installation :



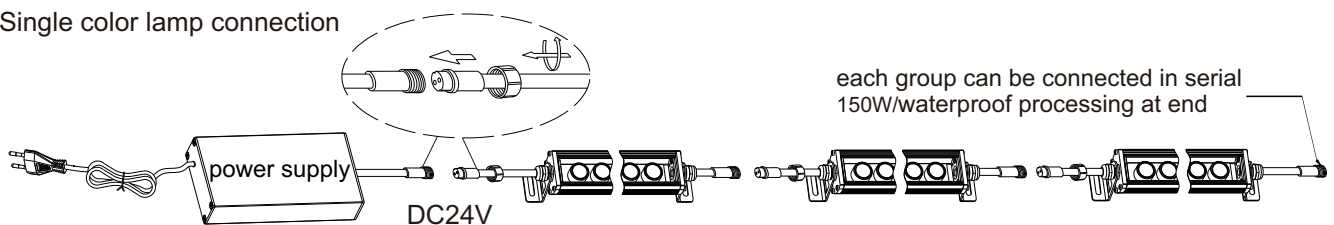
Installation steps:



1. Drill hole according to above drawing;
2. Fasten the lamp on installation surface as figure on the right;

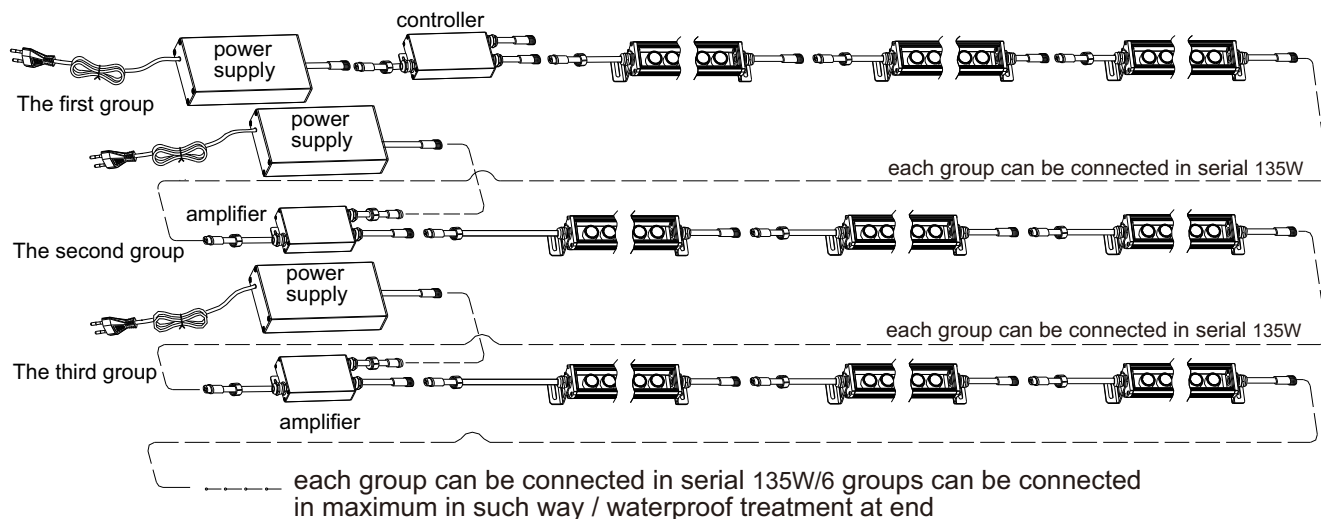
### Connection diagram:

Single color lamp connection





## RGB connection



### Remark:

1. Max. distance between two lamps can't exceed 5M;
2. Single color lamp wiring: blue/red wire is connected to negative polarity of power supply, brown/black wire is connected to positive polarity of power supply;
3. RGB lamp wiring: blue wire is connected to negative polarity of blue light; green wire is connected negative polarity of green light; red wire is connected negative polarity of red light; positive polarity share black;
4. Max. load of power supply, controller, signal amplifier need to exceed total power of lamp .

## Packing information :

Specification and dimension	0.5M	1.0M
Dimension of inner box	608x96x80mm	1098x96x80mm
Dimension of outer carton	626x595x265mm	1116x303x265mm
Packing qty.	18pcs/carton	9pcs/carton
Net weight of product	0.85kg	1.58kg
Gross weight of product	1.05kg	1.86kg
Gross weight of whole carton	20.7kg	18.6kg

## Installation requirements:

1. Prepare installation bolts by yourself;
2. Power off before installation;
3. Make sure installation material can endure the weight of lamp, and fix the lamp on installation material reliably;
4. Connect the lamp wire to wire of power supply, and seal the joint with waterproof treatment;
5. Lamp connection method and qty. refer to installation drawing.



**! Notice:**

1. Please first read the product specification carefully, make sure the using environment conform to specification, then it can be used;
2. Please confirm the input voltage before use;
3. This product must be installed by professionals;
4. If there is any damage to the power wire or shell of the product, it should be taken as defective product and do not use it;
5. Dangerous high voltage, non-professionals are not allowed to maintain the product;
6. If external soft cable or soft wire of the light is damaged, it should be replaced by manufacture or service agent or personnel with similar qualification to avoid danger;
7. It is forbidden to use the products in water environment;
8. Buried installation and using is forbidden;
9. W corrosion-proof grade, and corrosion-proof grade of operation environment is limited to bearable range.